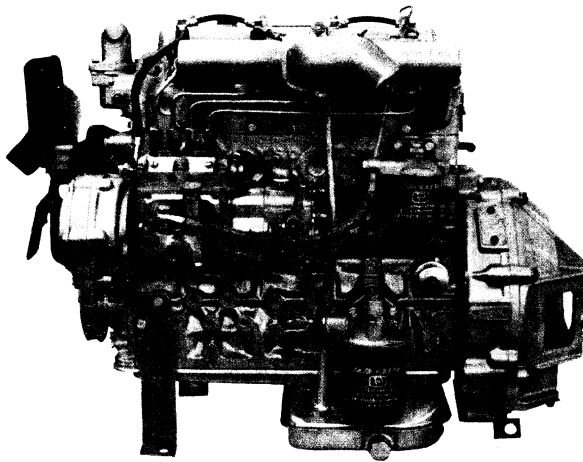




PARTS CATALOG



**YSD490Q
YSD490Q DIESEL ENGINE**

YANGDONG CO., LTD.

编 制 说 明

一、本图册主要供用户选购扬动牌 YSD490Q 型柴油机零部件及了解部分结构和装配关系之用。

二、为了满足用户的不同要求,本公司 YSD490Q 型柴油机品种将不断增加,结构也会有些局部改进,因而本图册反映的零部件结构可能会与实物不符,待再版时改进,改进前不另通知,望用户鉴谅。

三、本图册在编制时,由于受时间及水平的限制,因而错误之处在所难免,热诚欢迎各位指正错误之处。

编 者

2000 年 10 月

EXPLANATION

1. This catalogue is main used for user's picking up and buying the parts of the model Yangdong YSD490Q diesel engine and understanding partial structure and assembly relation.

2. In order to meet user's different requirements, the assortments of YSD490Q diesel engine made by our factory will continuously increase, and the structure will also be improved partially. So the contents of the catalogue may be somewhat not accordance with the engine you have owned, which will be improved in second edition. Pardon, before improving will not notify again.

3. In compilation of the catalogue, due to limited time and level, some mistakes can hardly be avoided, please oblige us with your valuable comments.

Editor

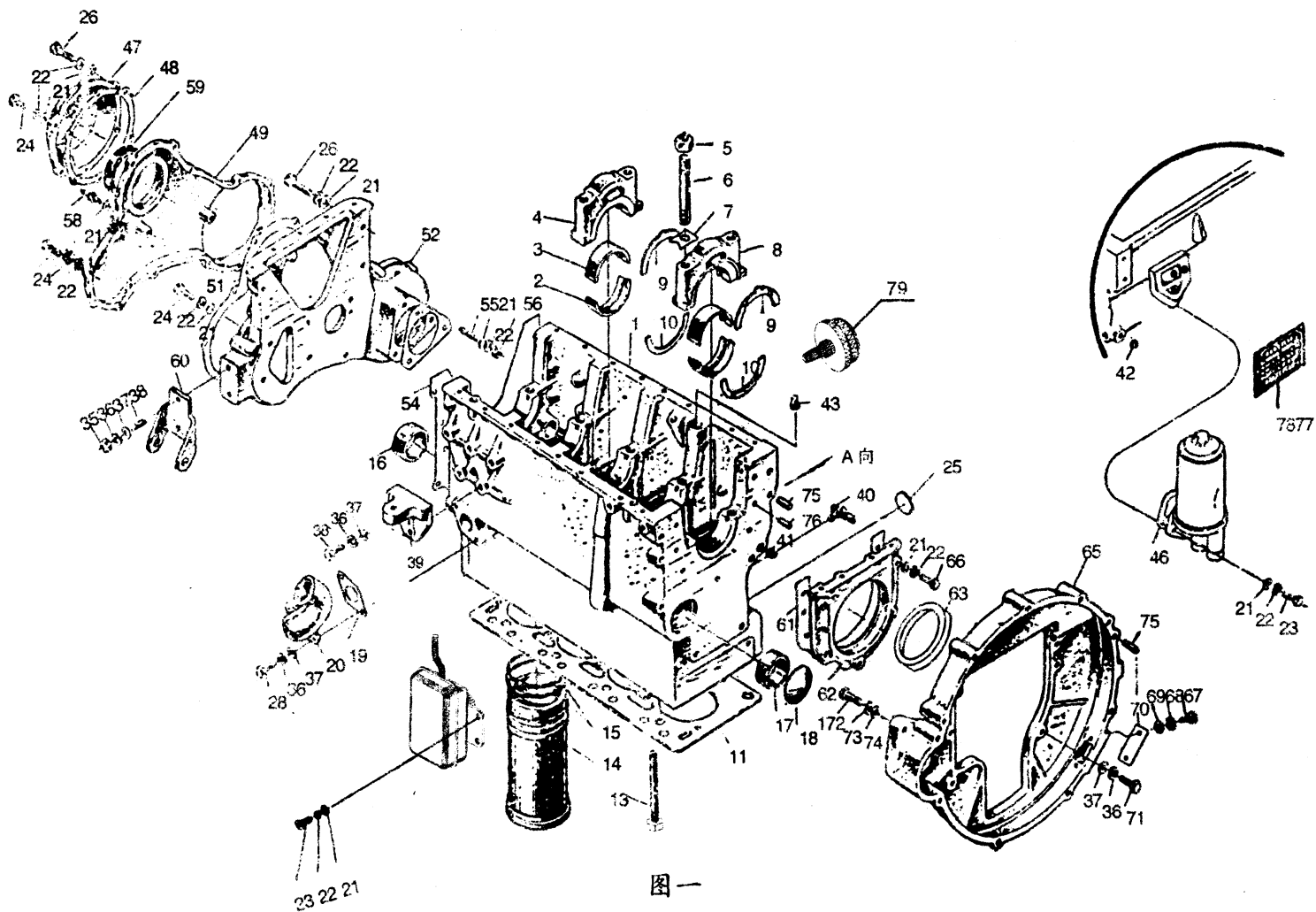
10, 2000

目 录

CONTENTS

1、机体、正时齿轮室及飞轮壳总成	
CYLINDER BLOCK, TIMING GEAR CASING AND FLYWHEEL HOUSING	1
2、正时齿轮传动系统	
TIMING GEAR TRAIN	5
3、气缸盖、节温器及进、排气管总成	
CYLINDER HEAD, THERMOSTAT, INTAKE MANIFOLD AND EXHAUST MANIFOLD	7
4、活塞、连杆总成	
PISTON AND CONNECTING ROD ASSEMBLY	10
5、曲轴、飞轮总成	
CRANKSHAFT AND FLYWHEEL	12
6、配气机构	
VALVE - ACTUATING MECHANISM	14
7、油底壳总成	
OIL SUMP	17
8、气缸盖罩总成	
CYLINDER HEAD COVER	19
9、燃油供油系统	
FUEL SUPPLY SYSTEM	21
10、机油泵、机油管总成	
LUBRICATING OIL PUMP AND PIPE ASSEMBLY	23
11、水泵、风扇及皮带轮总成	
COOLING WATER PUMP, PAN AND PULLEY	26
12、空气滤清器、机油滤清器、起动电机及充电发电机总成	
AIR FILTER, OIL FILTER, STARTER AND CHARGING GENERATOR	29

机体、正时齿轮室及飞轮壳总成
 CYLINDER BLOCK, TIMING GEAR CASING AND FLYWHEEL HOUSING



图一

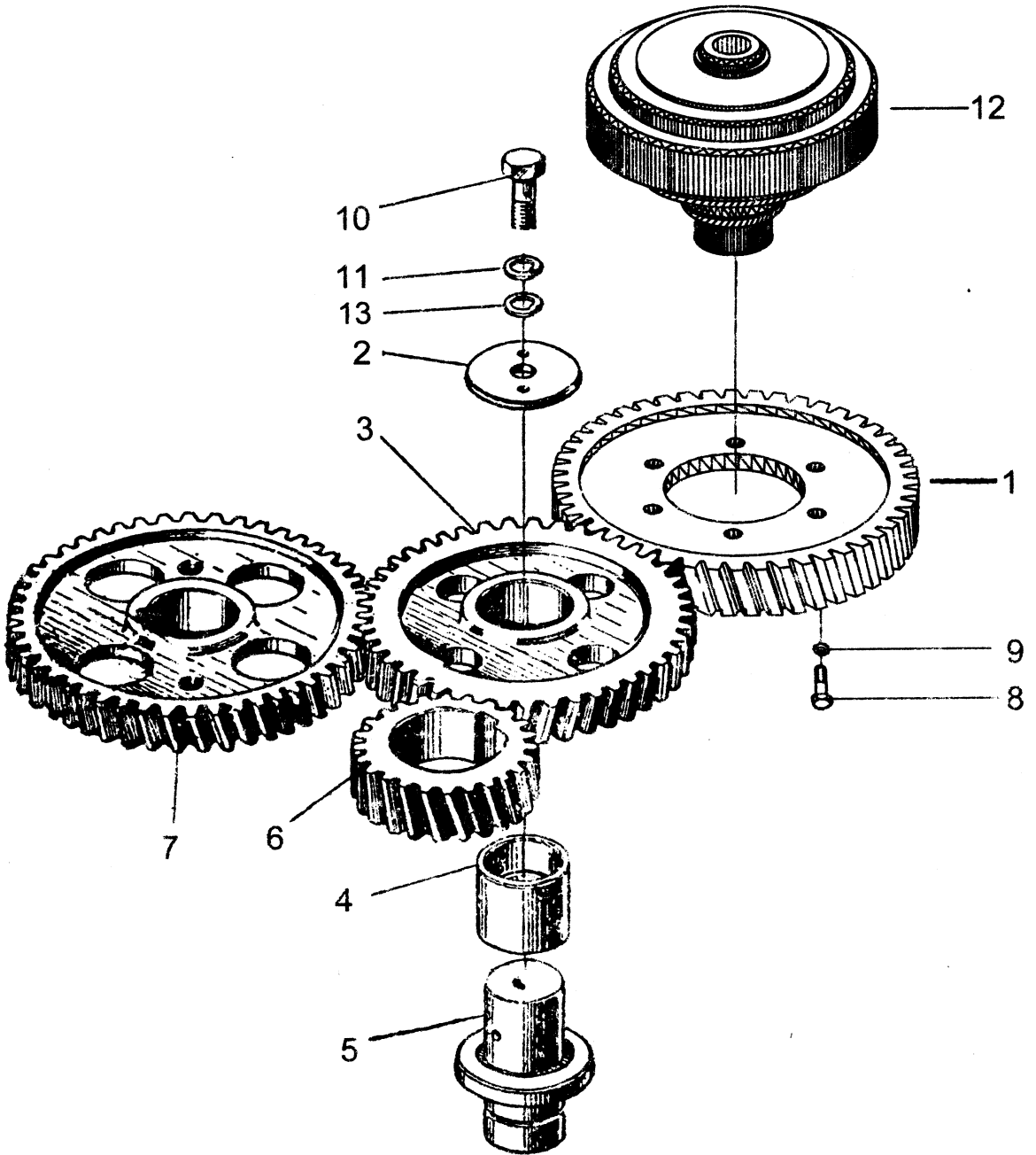
机体、正时齿轮室及飞轮壳总成
CYLINDER BLOCK、TIMING GEAR CASING
AND FLYWHEEL HOUSING

标号 Ref. No.	代号 Parts No.	名称 Name	数量 Q'ty	备注 Remarks
1	YSD490Q - 01111C	机 体 Cylinder block	1	
2	YSD490Q - 01015	主轴瓦上瓦 Main bearing, upper half	5	
3	YSD490Q - 01016	主轴瓦下瓦 Main bearing, lower half	5	
4	YSD490Q - 01112	主轴承盖 Main bearing cap	4	
5	YSD490Q - 01114	主轴承螺栓 Main bearing stud	10	
6	YSD490Q - 01115	主轴承盖螺栓垫圈 Main bearing stud lock washer	10	
7	YSD490Q - 01113	后主轴承盖 Rear main bearing cap	1	
8	YSD490Q - 01008	曲轴止推片(下) Crankshaft thrust bearing, lower half	2	
9	YSD490Q - 01007	曲轴止推片(上) Crankshaft thrust bearing, upper half	2	
10	YSD490Q - 01020a	气缸盖垫片 Cylinder head gasket	1	
11	YSD490Q - 01004	气缸盖长螺栓 Long cylinder head stud	14	
	YSD490Q - 01005	气缸盖短螺栓 Short cylinder head stud	4	
12	YSD490Q - 01003	气缸套 Cylinder liner	4	
13	YSD490Q - 01002	气缸套封水圈 Water seal	12	
14	YSD490Q - 01023	凸轮轴前衬套 Front camshaft bush	1	
	YSD490Q - 01024	凸轮轴中衬套 Middle camshaft bush	1	
15	YSD490Q - 01025b	凸轮轴后衬套 Rear camshaft bush	1	
16	YSD490Q - 01103	塞 片 Plug	1	
17	YSD490Q - 01011	进水管垫片 Inlet pipe gasket	1	

标号 Ref. No.	代号 Parts No.	名称 Name	数量 Q'ty	备注 Remarks
18	YSD490Q - 01013	进水管 Inlet pipe	1	
19	GB848 - 85	垫圈 8 - 140HV Washer 8 - 140HV	52	
20	GB93 - 87	垫圈 8 Spring washer 8	52	
21	GB5783 - 86	螺栓 M8 × 20 Bolt	7	
22	GB5783 - 86	螺栓 M8 × 16 Bolt	14	
23	Y480G - 01104	碗形塞片 plug	7	
24	GB5783 - 86	螺栓 M8 × 25 Bolt M8 × 25	5	
25	GB898 - 88	螺柱 M8 × 20 Bolt M8 × 20	2	
26	YSD490Q - 01200a	呼吸器部件 Breathing filter	1	
27	GB93 - 87	垫圈 10 Spring washer 10	8	
28	GB848 - 85	垫圈 10 - 140HV Washer 10 - 140HV	8	
29	GB5783 - 86	螺栓 M10 × 30 Bolt M10 × 30	8	
30	YSD490Q - 01017	前支撑脚 Front mounting bracket	2	
31	Y485Q - ₁₆ - 01300	放水开关组件 Drain cock	1	
32	YSD490Q - 01014a	放水开关接管 Union pipe	1	
33	YSD490Q - 01105a	主油道闷头 (I) Screw plug (I)	2	
34	Y480G - 01106a	闷头 (II) Screw plug (II)	5	
35	YSD490Q - 01101	堵塞 Plug	1	
36	YSD490Q - 01004	机油滤清器垫片 Oil filter gasket	1	
37	YSD490Q - 02017	正时齿轮室前盖 Front cover	1	
38	YSD490Q - 02016	正时齿轮室前盖垫片 Front cover of timing gear case	1	
39	YSD490Q - 02013a	正时齿轮室盖 Front cover gasket of timing gear case	1	
40	YSD490Q - 02014	正时齿轮室盖垫片 Timing gear case cover gasket	1	
41	YSD490Q - 02001	正时齿轮室 Timing gear casing	1	

标号 Ref. No.	代号 Parts No.	名称 Name	数量 Q'ty	备注 Remarks
42	YSD490Q - 01001	正时齿轮室垫片 Timing gear case gasket	1	
43	GB898 - 88	双头螺柱 M8 × 28 Stud M8 × 28	3	
44	GB6170 - 86	螺母 M8 Nut M8	3	
45	YSD490Q - 02015	指针 Pointer	1	
46	HG4 - 692 - 67	骨架式橡胶油封 SG60 × 80 × 12 Oil seal SG60 × 80 × 12	1	
47	YSD490Q - 12006	充电发电机支架 Generator bracket	1	
48	YSD490Q - 01009a	后油封盖垫片 Real oil seal cover gasket	1	
49	YSD490Q - 01012a	后油封盖 Real oil seal cover	1	
50	HG4 - 692 - 67	骨架式橡胶油封 SG100 × 130 × 12 Oil seal SG100 × 130 × 12	1	
51	YSD490Q - 01010a	飞轮壳 Flywheel housing	1	
52	GB5783 - 86	螺栓 M8 × 30 Bolt M8 × 30	5	
53	GB818 - 85	螺钉 M6 × 12 Bolt M6 × 12	2	
54	GB93 - 87	垫圈 6 Spring washer 6	2	
55	GB97.1 - 85	垫圈 6 - 140HV Washer 6 - 140HV	2	
56	YSD490Q - 01019	盖板 Inspection cover	1	
57	GB5783 - 86	螺栓 M12 × 35 Bolt M12 × 35	6	
58	GB5783 - 86	螺栓 M10 × 30 Bolt M10 × 30	2	
59	GB93 - 87	垫圈 10 Spring washer 10	2	
60	GB848 - 85	垫圈 10 - 140HV Washer 10 - 140HV	2	
61	GB119 - 86	销 B10 × 20 Pin B10 × 20	2	
62	GB119 - 86	销 B8 × 20 Pin B8 × 20	3	
63	Y480G - 01500	压力表用传感器部件 Sensor for oil gauge	1	
64	GB6170 - 86	螺母 M10 Nut M10	2	

正时齿轮传动系统
TIMING GEAR TRAIN



图二

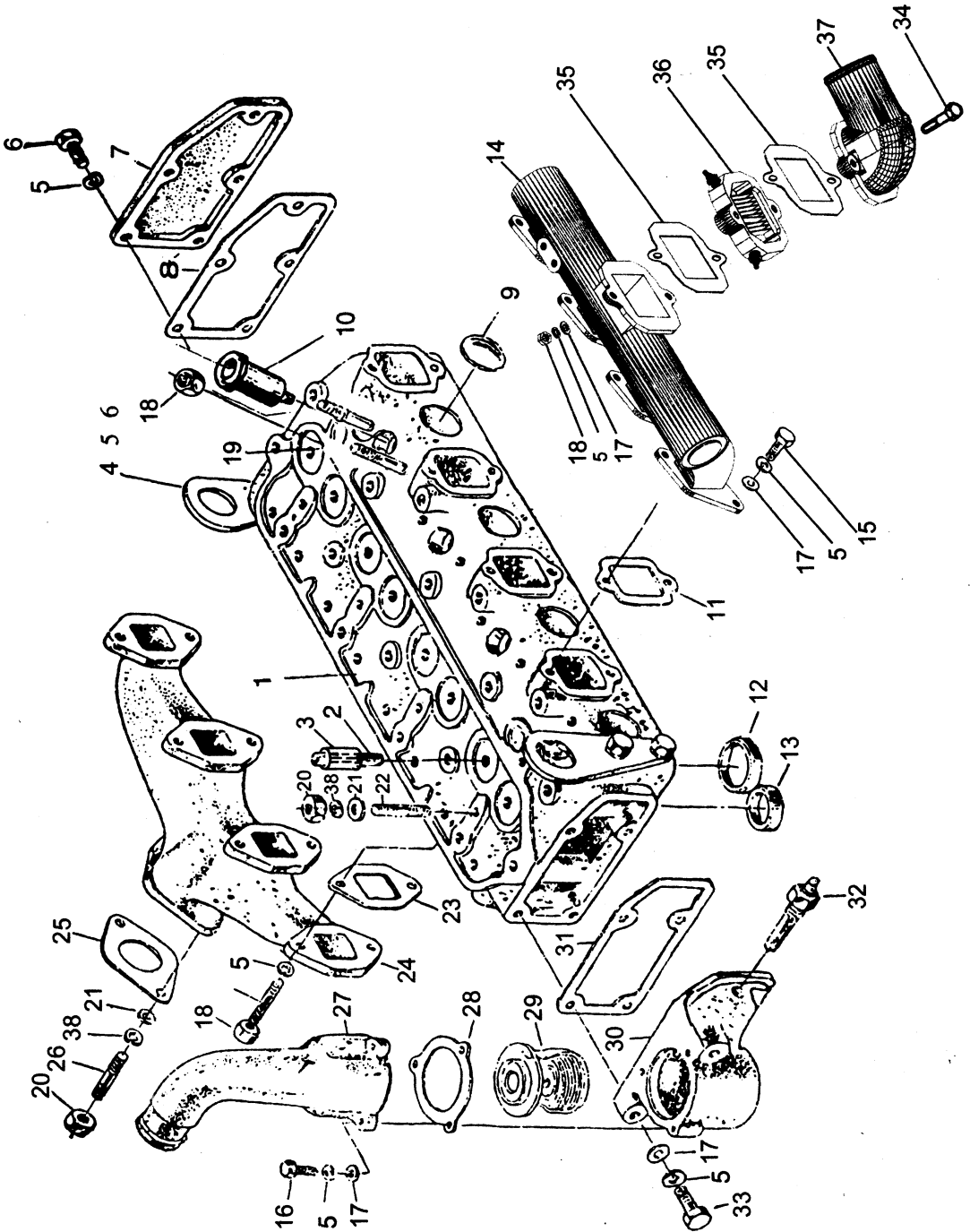
正时齿轮传动系统

TIMING GEAR TRAIN

标号 Ref. No.	代号 Parts No.	名称 Name	数量 Q'ty	备注 Remarks
1	YSD490Q - 02003a	喷油泵正时齿轮 Fuel injection pump timing gear	1	
2	YSD490Q - 02008	惰齿轮压板 Idle gear clamp	1	
3	YSD490Q - 02005a	正时惰齿轮 Idle gear	1	
4	YSD490Q - 02006	正时惰齿轮衬套 Idle gear bush	1	
5	YSD490Q - 02007	正时惰齿轮轴 Idle gear shaft	1	
6	YSD490Q - 02009a	曲轴正时齿轮 Crankshaft timing gear	1	
7	YSD490Q - 02011a	凸轮轴正时齿轮 Camshaft timing gear	1	
8	GB5783 - 86	螺栓 M6 × 16 Bolt M6 × 16	6	
9	GB93 - 87	垫圈 6 Washer 6	6	
10	GB5782 - 86	螺栓 M8 × 55 Bolt M8 × 55	2	
11	GB93 - 87	垫圈 8 Washer 8	2	
12	YSD490Q - 02100	供油提前角自动调节器 Automatic adjusting device of the fuel supply angle in advance	1	
13	GB848 - 85	垫圈 8 - 140HV Washer 8 - 140HV	2	

气缸盖、节温器及进、排气管总成

CYLINDER HEAD, THERMOSTAT, INTAKE MANIFOLD AND EXHAUST MANIFOLD



图三

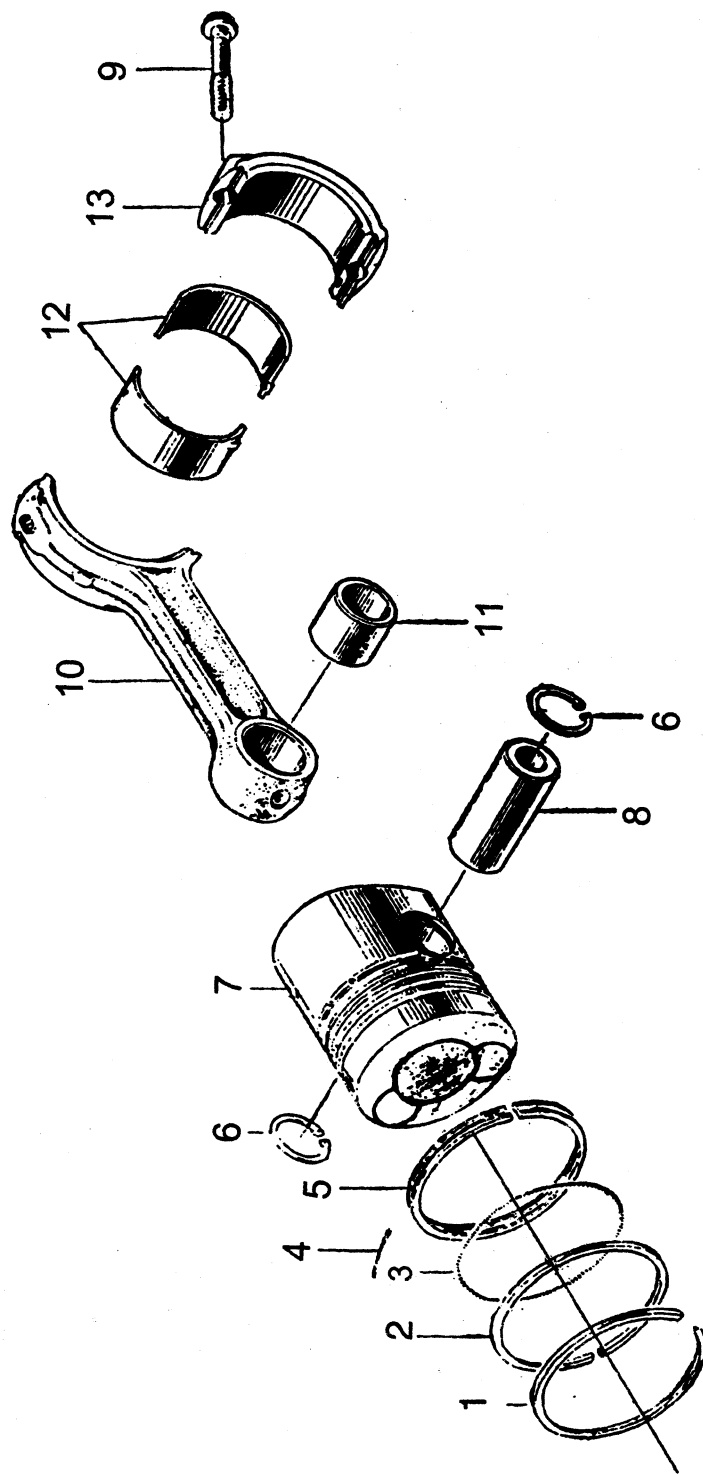
气缸盖、节温器及进、排气管总成

CYLINDER HEAD, THERMOSTAT, INTAKE MANIFOLD AND EXHAUST MANIFOLD

标号 Ref. No.	代号 Parts No.	名称 Name	数量 Q'ty	备注 Remarks
1	YSD490Q - 03101	气缸盖 Cylinder head	1	
2	YSD490Q - 03102	气门导管 Valve guide	8	
3	Y485 - 03021	阀杆油封 Oil seal	8 2	
4	YSD490Q - 03011	吊环 Lifting eye	37	
5	GB93 - 87	垫圈 8 Spring washer 8	5	
6	GB5783 - 86	螺栓 M8 × 18 Bolt M8 × 18		
7	YSD490Q - 03002a	后端盖 Rear cover	1	
8	YSD490Q - 03023	后端盖垫片 Gasket	1	
9	Y480G - 01103	碗型塞片 (Ø25) Plug (Ø25)	4	
10	YSD490Q - 03105a	喷油器镶套 Injector sleeve	4	
11	YSD490Q - 03013	进气管垫片 Intake manifold gasket	4	
12	YSD490Q - 03103	进气门座 Intake valve seat	4	
13	YSD490Q - 03104	排气门座 Exhaust valve seat	4	
14	YSD490Q - 07100	进气管 Intake manifold	1	
15	GB5783 - 86	螺栓 M8 × 20 Bolt M8 × 20	12	
16	GB5783 - 86	螺栓 M8 × 25 Bolt M8 × 25	2	
17	GB848 - 85	垫圈 8 - 140HV Washer 8 - 140HV	39	
18	GB6170 - 86	螺母 M8 Nut M8	16	

标号 Ref. No.	代号 Parts No.	名称 Name	数量 Q'ty	备注 Remarks
19	GB898 - 88	螺 柱 M8 × 45 Stud M8 × 45	8	
20	GB6170 - 86	螺 母 M10 Nut M10	6	
21	GB848 - 85	垫 圈 10 - 140HV Washer 10 - 140HV	6	
22	YSD490Q - 03001	双头螺柱 Valve rocker bracket stud	4	
23	YSD490Q - 03006	排气管垫片 Gasket	4	
24	YSD490Q - 08001	排 气 管 Exhaust manifold	1	
25	YSD490Q - 08002a	排气总管垫片 Gasket	1	
26	GB5783 - 86	螺 栓 M10 × 30 Bolt M10 × 30	2	
27	YSD490Q - 11301	节温器盖 Thermostat cover	1	
28	YSD490Q - 11302	节温器盖垫片 Gasket	1	
29	Y480G - 11303a	节 温 器 Thermostat	1	
30	YSD490Q - 11304	节温器壳 Thermostat housing	1	
31	YSD490Q - 03016	节温器壳垫片 Thermostat housing gasket	1	
32	YS475 - 11300	CA10 水温感应塞 Water temp sensor	1	
33	GB5783 - 86	螺 栓 M8 × 35 Bolt M8 × 35	3	
34	GB5783 - 86	螺 栓 M8 × 50 Bolt M8 × 50	1	
35	YSD490Q - 07004	进气弯管垫片 Intake bend pipe gasket	2	
36	YSD490Q - 07200	电加热器部件 Electricity heating unit	1	
37	YSD490Q - 07005	进气弯管 Intake bend pipe	1	
38	GB93 - 87	垫 圈 10 Washer 10	6	

活塞、连杆总成
PISTON AND CONNECTING ROD ASSEMBLY



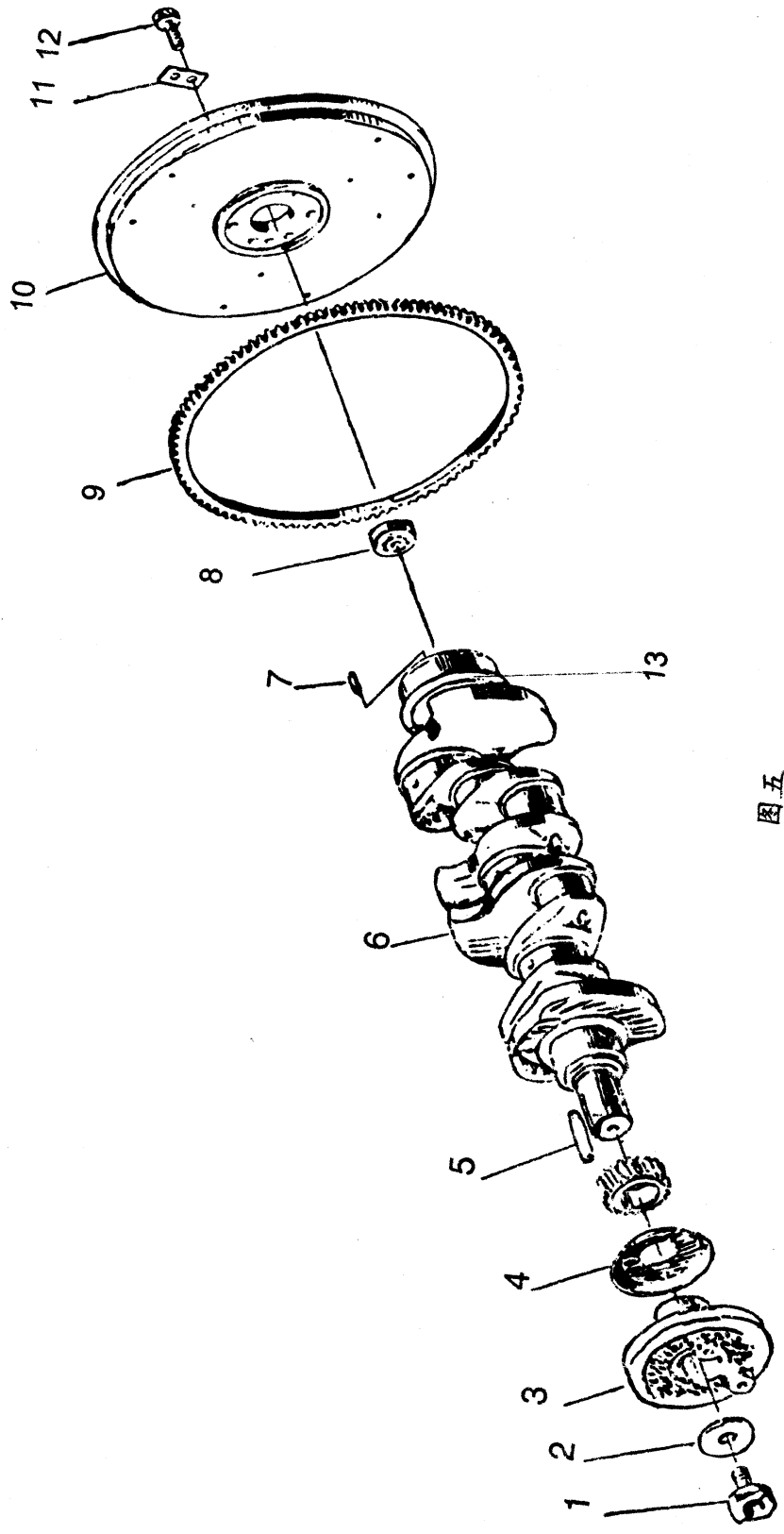
图四

活塞、连杆总成

PISTON AND CONNECTING ROD ASSEMBLY

标号 Ref. No.	代号 Parts No.	名称 Name	数量 Q'ty	备注 Remarks
1	YSD490Q - 04001	第一道气环 1st compression ring	4	
2	YSD490Q - 04002	第二道气环 2nd compression ring	4	
3	YSD490Q - 04102	油环撑簧 Spring	4	
4	YSD490Q - 04103	弹簧锁口 Spring lock	4	
5	YSD490Q - 04101	油环本体 Oil ring	4	
6	Y488 - 04006	活塞销挡圈 Piston pin snap ring	8	
7	YSD490Q - 04005	活 塞 Piston	4	
8	YSD490Q - 04004	活 塞 销 Piston pin	4	
9	YSD490Q - 04204	连杆螺栓 Connecting rod bolt	8	
10	YSD490Q - 04202	连 杆 Connecting rod	4	
11	YSD490Q - 04201	连杆衬套 Connecting rod bush	4	
12	YSD490Q - 04003	连杆轴瓦 Connecting rod bearing, upper and lower halves	8	
13	YSD490Q - 04203	连杆盖 Connecting rod cap	4	

曲轴、飞轮总成
CRANKSHAFT AND FLYWHEEL

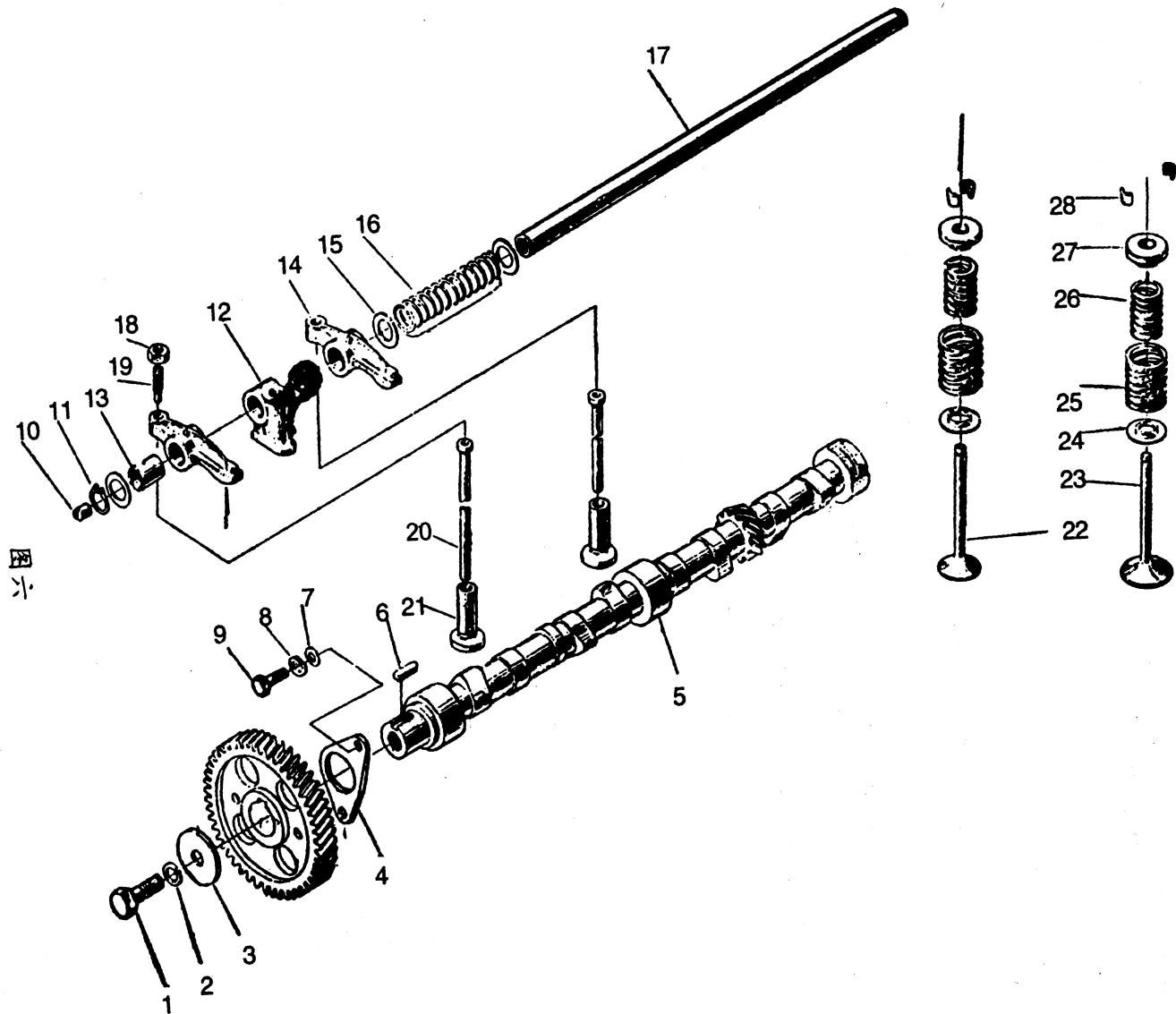


图五

曲轴、飞轮总成

CRANKSHAFT AND FLYWHEEL

标号 Ref. No.	代号 Part No.	名称 Name	数量 Q'ty	备注 Remarks
1	YSD490Q - 05007	起 动 爪 Starting jaw	1	
2	Y480G - 05006	起 动 爪 垫 板 Washer	1	
3	YSD490Q - 05006	曲轴皮带轮 Crankshaft pulley	1	
4	YSD490Q - 05005	曲轴甩油盘(前) Oil thrower	1	
5	GB1096 - 79	键 C12 × 63 Dowel pin C12 × 63	1	
6	YSD490Q - 05003	曲 轴 Crankshaft	1	
7	GB119 - 86	销 B10 × 20 Dowel pin B10 × 20	1	
8	GB/T276 - 94	滚动轴承 6203 - Z Ball bearing	1	
9	YSD490Q - 05102	飞轮齿圈 Flywheel gear ring	1	
10	YSD490Q - 05101	飞 轮 Flywheel	1	
11	YSD490Q - 05001	保险垫片 Flywheel bolt lock washer	3	
12	YSD490Q - 05002	飞轮螺栓 Flywheel bolt	6	
13	YSD490Q - 05004	曲轴甩油盘(后) Oil thrower (rear)	1	



图六

配气机构
VALVE-ACTUATING MECHANISM

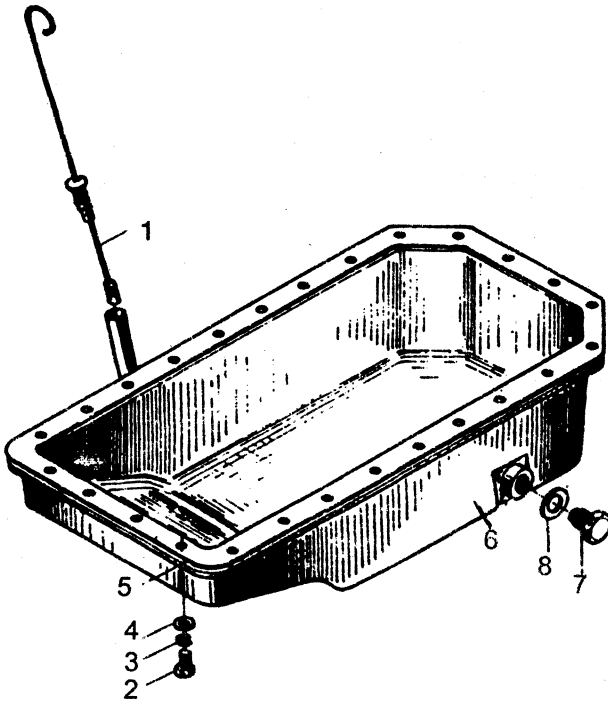
配 气 机 构

WALVE - ACTUATING MECHANISM

标号 Ref. No.	代号 Parts No.	名称 Name	数量 Q'ty	备注 Remarks
1	GB5783 - 86	螺栓 12 × 35 Bolt 12 × 35	1	
2	GB93 - 87	垫圈 12 Spring washer 12	1	
3	YSD490Q - 02012	凸轮轴正时齿轮压板 Camshaft timing gear clamping plate	1	
4	YSD490Q - 02010	凸轮轴止推板 Camshaft thrust plate	1	
5	YSD490Q - 06001	凸轮轴 Camshaft	1	
6	GB1096 - 79	键 C8 × 22 Flat key C8 × 22	1	
7	GB848 - 85	垫圈 8 - 140HV Washer 8 - 140HV	2	
8	GB93 - 87	垫圈 8 Spring washer 8	2	
9	GB5783 - 86	螺栓 M8 × 20 Bolt M8 × 20	2	
10	Y480G - 01105b	闷头 (I) Screw plug (I)	2	
11	GB894.1 - 86	挡圈 18 Retainer 18	2	
12	YSD490Q - 03202	摇臂轴支座 Rocker shaft bracket	3	
	YSD490Q - 03207	摇臂轴后支座 Rocker shaft rear bracket	1	
13	YSD490Q - 03212	气门摇臂衬套 Rocker arm bush	8	
14	YSD490Q - 03211	气门摇臂 Rocker	8	

标号 Ref. No.	代号 Parts No.	名称 Name	数量 Q'ty	备注 Remarks
15	YSD490Q - 03206	垫圈 Washer	8	
16	YSD490Q - 03204	摇臂轴弹簧 Rocker shaft spacer spring	3	
17	YSD490Q - 03205a	气门摇臂轴 Rocker shaft	1	
18	GB6171 - 86	螺母 M8 × 1 Nut M8 × 1	8	
19	YSD490Q - 03201	气门间隙调整螺钉 Adjusting screw	8	
20	YSD490Q - 06003	推杆 Push rod	8	
21	YSD490Q - 06002	挺柱 Valve tappet	8	
22	YSD490Q - 03015	排气门 Exhaust valve	4	
23	YSD490Q - 03014	进气门 Intake valve	4	
24	YSD490Q - 03010	气门弹簧下座 Valve spring lower seat	8	
25	YSD490Q - 03007	气门外弹簧 Outer valve spring	8	
26	YSD490Q - 03017	气门内弹簧 Inner valve spring	8	
27	YSD490Q - 03009	气门弹簧上座 Valve spring upper seat	8	
28	YSD490Q - 03008	气门锁夹 Valve collets	16	

油底壳总成
OIL-SUMP



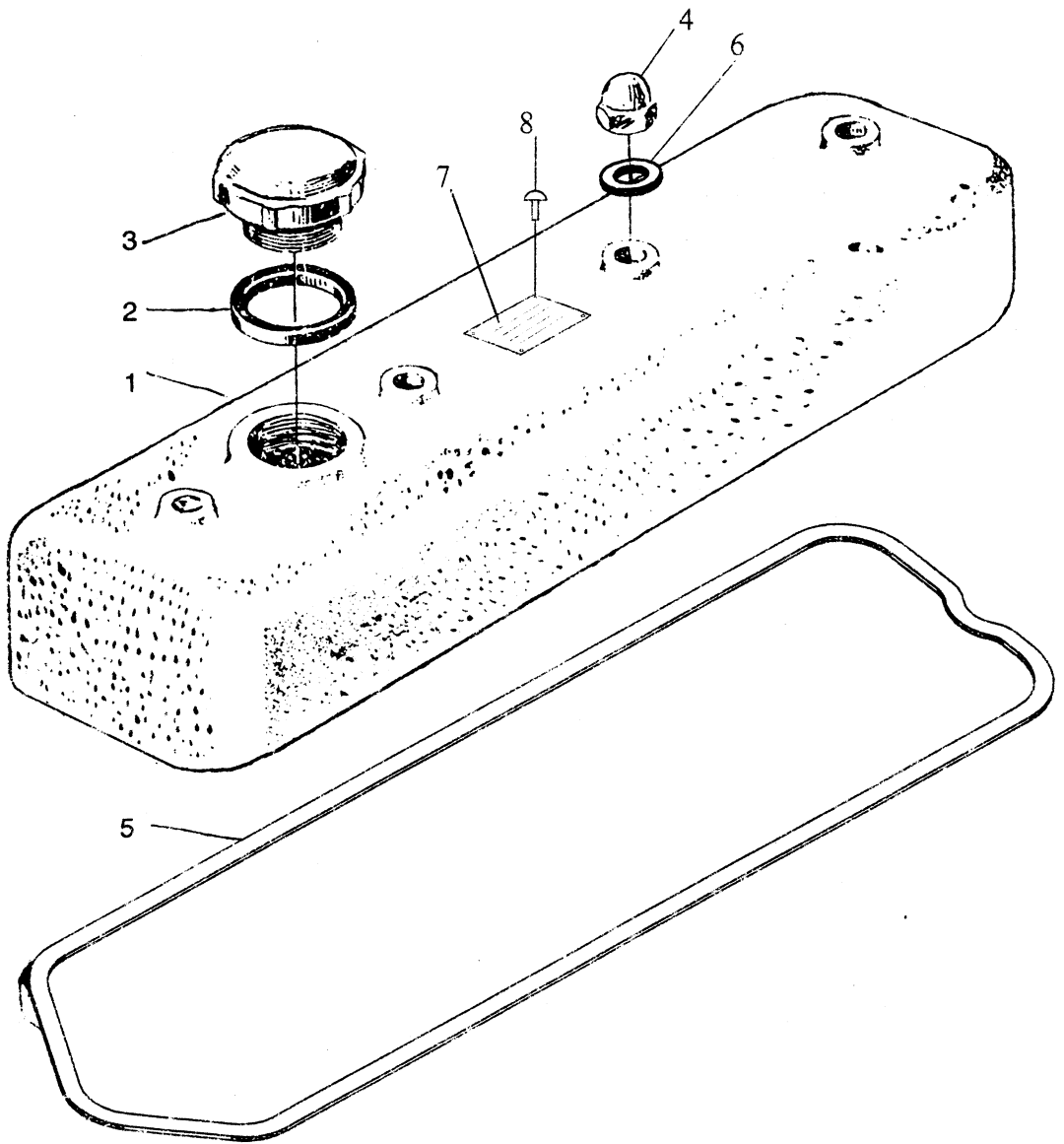
图七

油 底 壳 总 成

OIL SUMP

标 号 Ref. No.	代 号 Parts No.	名 称 Name	数 量 Q'ty	备 注 Remarks
1	YSD490Q ₋₁₅ -01400b	机油尺部件 Oil dipstick unit	1	
2	GB5783 - 86	螺 栓 M8 × 25 Bolt M8 × 25	25	
3	GB93 - 87	垫 圈 8 Spring washer 8	25	
4	GB848 - 85	垫 圈 8 - 140HV Washer 8 - 140HV	25	
5	YSD490Q - 01018	油底壳垫片 Oil sump gasket	1	
6	YSD490Q ₋₁₅ -01700	油底壳部件 Oil sump unit	1	
7	Y480Q ₋₆₇ -01703	放油螺塞 Drain screw plug	1	
8	Y480G - 01704a	垫 圈 Washer	1	

气缸盖罩总成
CYLINDER HEAD COVER



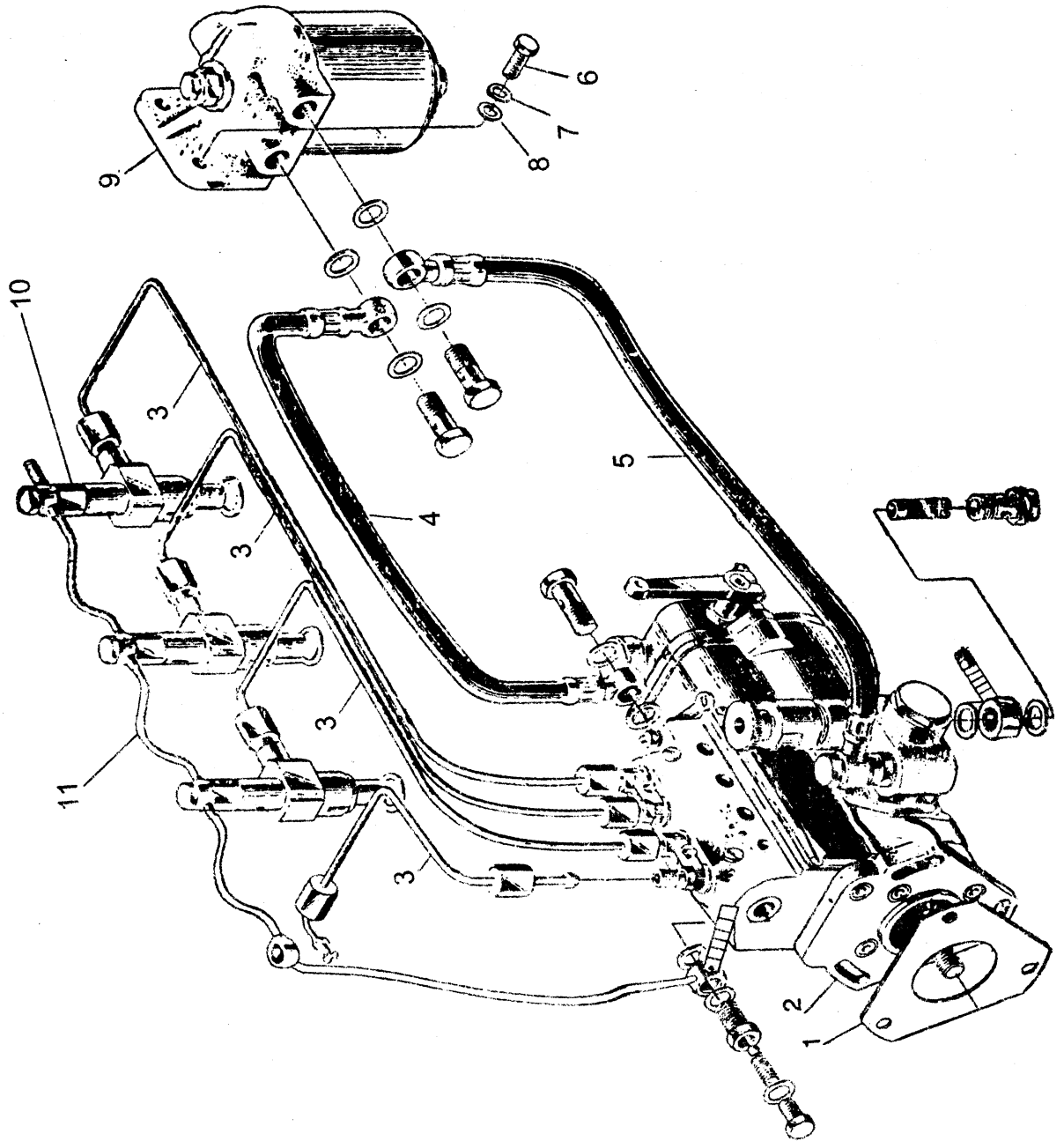
图八

气 缸 盖 罩 总 成

CYLINDER HEAD COVER

标 号 Ref. No.	代 号 Parts No.	名 称 Name	数 量 Q'ty	备 注 Remarks
1	YSD490Q - 03004	气缸盖罩 Cylinder head bonnet	1	
2	Y480G - 03003a	加油口盖垫片 Oil filler cap gasket	1	
3	Y480G - 03400	加油口盖部件 Oil filler cap	1	
4	GB923 - 88	螺 母 M10 Nut M10	4	
5	YSD490Q - 03005	气缸盖罩垫片 Cylinder head bonnet gasket	1	
6	GB848 - 85	垫圈 10 - 140HV Washer 10 - 140HV	4	
7	YSD490Q - 03021a	标 牌 Name plate	1	
8	GB827 - 86	铆钉 2 × 5 Rivet 2 × 5	4	

燃油供油系统
FUEL SUPPLY SYSTEM



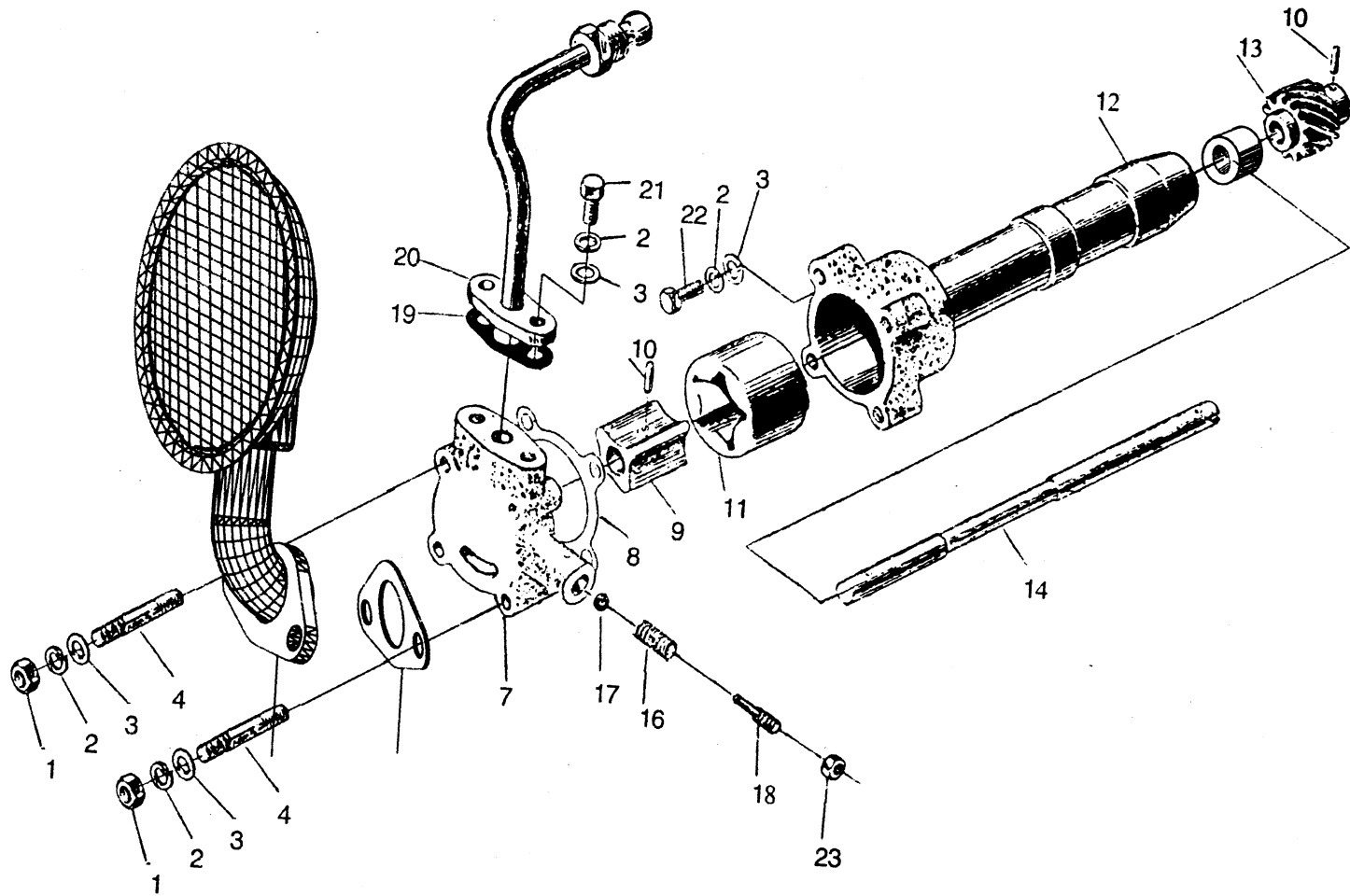
图九

燃油供油系统

FUEL SUPPLY SYSTEM

标号 Ref. No.	代号 Parts No.	名称 Name	数量 Q'ty	备注 Remarks
1	Y480G - 02002	喷油泵垫片 Fuel injection pump gasket	1	
2	Y480G - 10100	喷油泵总成 Fuel injection pump	1	
3	YSD490Q - 10500	高压油管部件 High pressure fuel pipe	1	
4	YSD490Q - 10800	滤清器至喷油泵进油管部件 Fuel feed pipe from fuel filter to fuel injection pump	1	
5	YSD490Q - 10900a	输油泵至滤清器出油管部件 Fuel feed from fuel supply pump to fuel filter	1	
6	GB5783 - 86	螺 栓 M8 × 20 Bolt M8 × 20	2	
7	GB93 - 87	垫 圈 8 Spring washer 8	2	
8	GB848 - 85	垫 圈 8 - 140HV Washer 8 - 140HV	2	
9	YSD490Q - 10600a	C0708A 柴油滤清器总成 Fuel filter	1	
10	YSD490Q - 10700	喷油器部件 Fuel injector	4	
11	Y480G - 10400	回油管部件 Fuel return pipe	1	

机油泵、机油管总成
LUBRICATING OIL PUMP AND OIL PIPE ASSEMBLY



图十

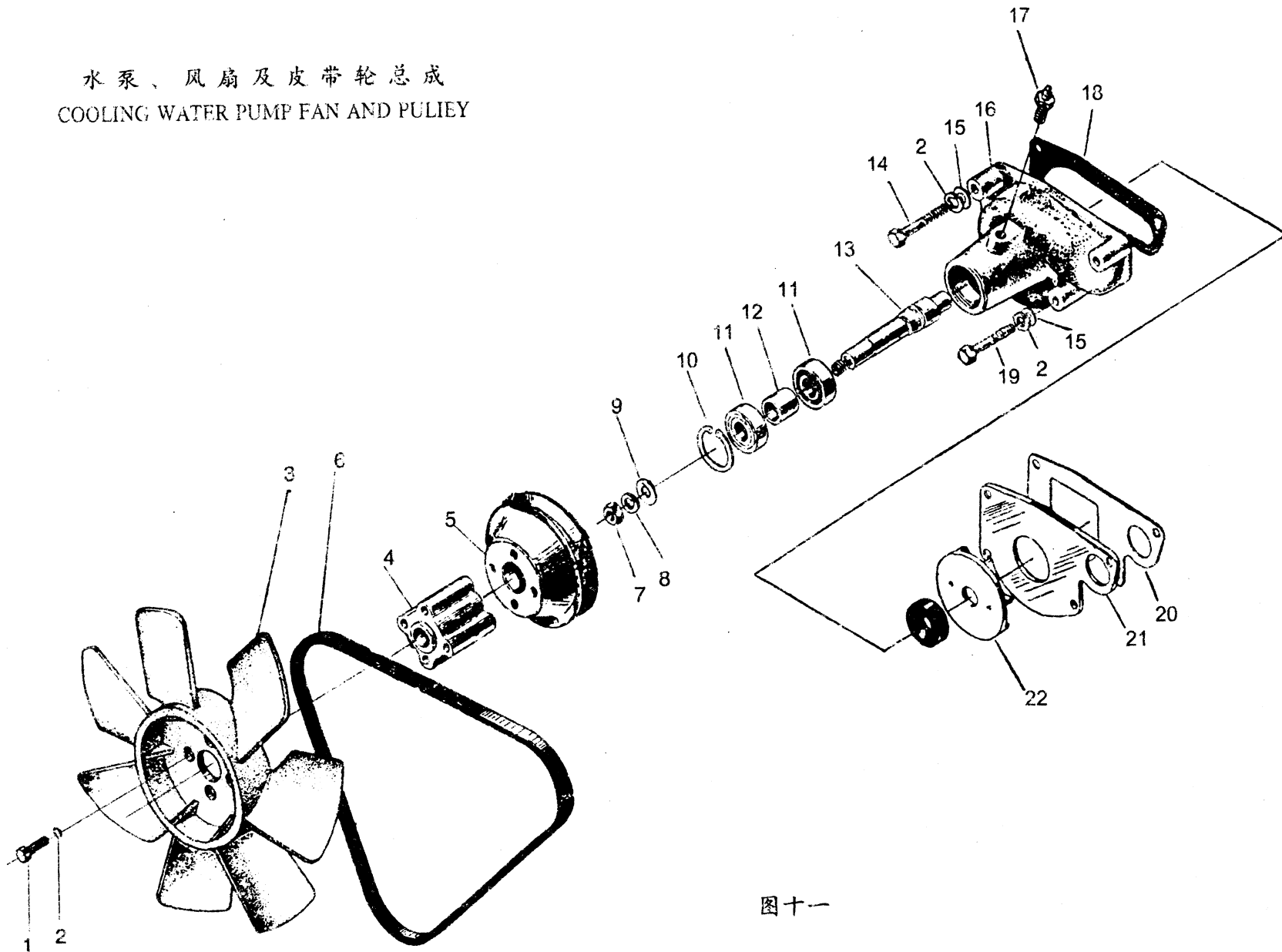
机油泵、机油管总成

LUBRICATING OIL PUMP AND OIL PIPE ASSEMBLY

标号 Ref. No.	代号 Parts No.	名称 Name	数量 Q'ty	备注 Remarks
1	GB6170 - 86	螺母 M8 Nut M8	4	
2	GB859 - 87	垫圈 8 Spring washer 8	6	
3	GB848 - 85	垫圈 8 - 140HV Washer 8 - 140HV	6	
4	GB899 - 88	螺柱 M8 × 35 Stud M8 × 35	2	
5	GB899 - 88	螺柱 M8 × 40 Stud M8 × 40	2	
6	YSD490Q - 09105	机油泵盖 Oil pump cover	1	
7	YSD490Q - 09107	机油泵垫片 Oil pump washer	1	
8	YSD490Q - 09122	内转子 Inner rotor	1	
9	GB119 - 86	销 A4 × 18 Pin A4 × 18	2	
10	YSD490Q - 09108	外转子 Outer rotor	1	
11	YSD490Q - 09132	机油泵体 Oil pump housing	1	
12	YSD490Q - 09101	机油泵传动齿轮 Oil pump driving gear	1	
13	YSD490Q - 09121	机油泵轴 Oil pump shaft	1	

标号 Ref. No.	代号 Parts No.	名称 Name	数量 Q'ty	备注 Remarks
14	YSD490Q - 09103	限压阀弹簧 Relief valve spring	1	
15	GB308 - 89	钢球 Ø10 Steel ball	1	
16	YSD490Q - 09002	出油管法兰垫片 Oil outlet pipe flange gasket	1	
17	YSD490Q - 09200	机油管路部件 Lubricating oil line unit	1	
18	GB5783 - 86	螺栓 M8 × 20 Bolt M8 × 20	2	
19	GB5783 - 86	螺栓 M8 × 30 Bolt M8 × 20	1	
20	YSD490Q - 09102	机油泵调压螺钉 Adjusting bolt	1	
21	GB6176 - 86	螺母 M14 × 1.5 Nut M14 × 1.5	1	
22	YSD490Q - 09131	机油泵轴衬套 Oil pump shaft bush	1	
23	YSD490Q - 09104	垫片 Gasket	1	
24	YSD490Q - 09110	集滤器焊接装配部件 Gauze filter weldment	1	

水泵、风扇及皮带轮总成
COOLING WATER PUMP FAN AND PULLEY



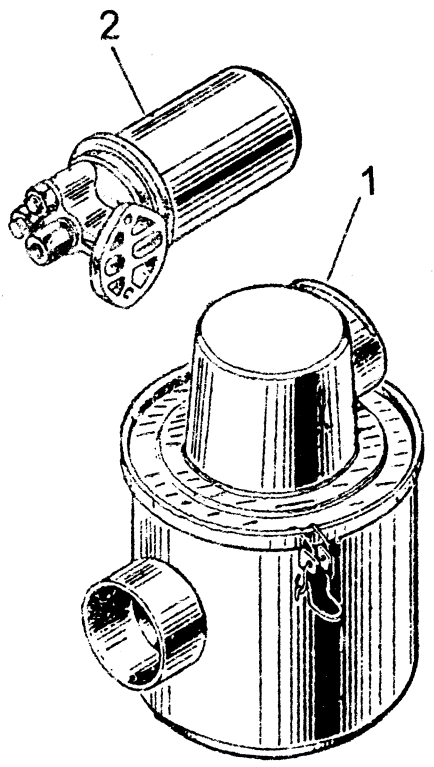
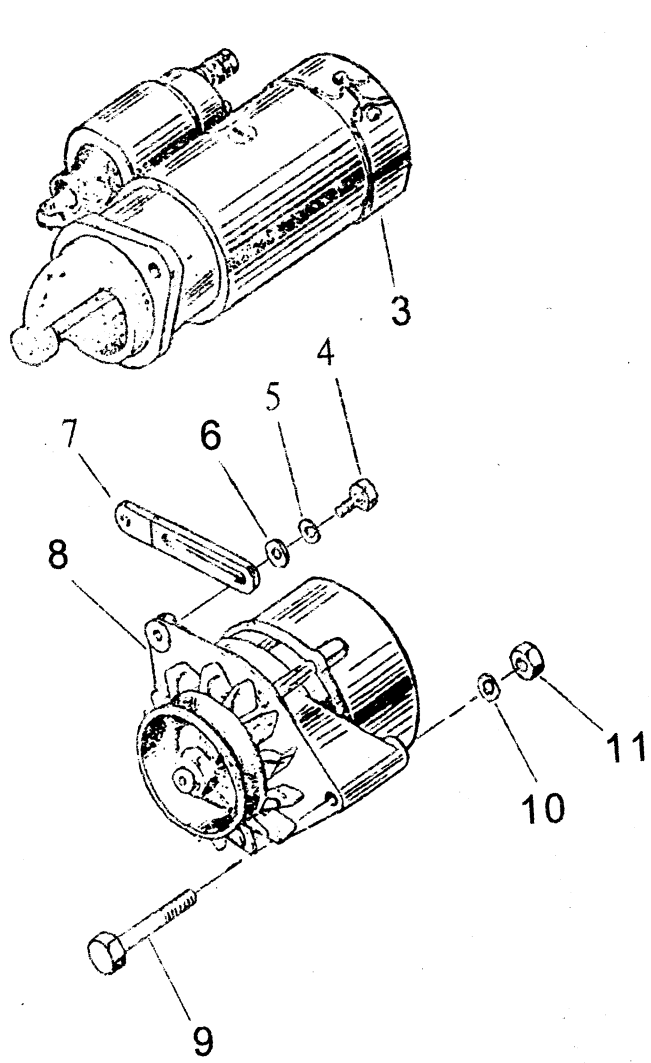
图十一

水泵、风扇及皮带轮总成

COOLING WATER PUMP, FAN AND PULLEY

标号 Ref. No.	代号 Parts No.	名称 Name	数量 Q'ty	备注 Remarks
1	GB5782 - 86	螺栓 M8 × 45 Bolt M8 × 45	4	
2	GB93 - 87	垫圈 8 Spring washer 8	8	
3	YSD490Q - 11003	风扇 Fan	1	
4	YSD490Q - 11001	风扇垫块 Spacer	1	
5	YSD490Q - 11112	水泵皮带轮 Pulley	1	
6	HG4 - 401 - 74	风扇带 15 × 9 × 1000 V - belt 15 × 9 × 1000	1	
7	GB6170 - 86	螺母 M10 Nut M10	1	
8	GB7244 - 87	垫圈 10 Spring washer 10	1	
9	YSD490Q - 11101	厚垫圈 Washer	1	
10	GB893.1 - 86	挡圈 40 Retainer 40	1	
11	GB/T276 - 94	滚动轴承 6203 - Z Ball bearing 6203 - Z	2	
12	YSD490Q - 11104	轴承隔套 Bearing space sleeve	1	
13	YSD490Q - 11106	水泵轴 Pump shaft	1	

标号 Ref. No.	代号 Parts No.	名称 Name	数量 Q'ty	备注 Remarks
14	GB5783 - 86	螺 栓 M8 × 60 Bolt M8 × 60	1	
15	GB848 - 85	垫 圈 8 - 140HV Washer 8 - 140HV	4	
16	YSD490Q - 11103	水 泵 体 Pump housing	1	
17	GB1152 - 79	油 杯 M10 × 1 Grease cup M10 × 1	1	
18	YSD490Q - 11107	水泵体垫片 Gasket	按需要	
19	GB5783 - 86	螺 栓 M8 × 55 Bolt M8 × 55	3	
20	YSD490Q - 01022	水泵隔板垫片 Gasket	1	
21	YSD490Q - 11108	水泵隔板 Lining plate	1	
22	YSD490Q - 11105a	水泵叶轮 Pump impeller	1	



空气滤清器、机油滤清器、起动机及充电发电机总成
 AIR FILTER, OIL FILTER, STARTER AND CHARGING GENERATOR

图十二

空气滤清器、机油滤清器、起动电机及充电发电机总成

AIR FILTER, OIL FILTER, STARTER AND CHARGING GENERATOR

标号 Ref. No.	代号 Parts No.	名称 Name	数量 Q'ty	备注 Remarks
1	YSD490Q - 15000	空气滤清器总成 Air filter assy	1	
2	YSD490Q - 09300	机油滤清器总成 Oil filter assy	1	
3	Y480G - 12300	起动电机部件 Starter	1	
4	GB5783 - 86	螺栓 M8 × 25 Bolt M8 × 25	1	
5	GB93 - 87	垫圈 8 Spring washer 8	1	
6	GB848 - 85	垫圈 8 - 140HV Washer 8 - 140HV	1	
7	YSD490Q - 12001	发电机上支撑 Bracket	1	
8	YSD490Q - 12100	JF11A 交流发电机 Generator	1	
9	GB5782 - 86	螺栓 M10 × 90 Bolt M10 × 90	1	
10	GB93 - 87	垫圈 10 Spring washer 10	1	
11	GB6170 - 86	螺母 M10 Nut M10	1	