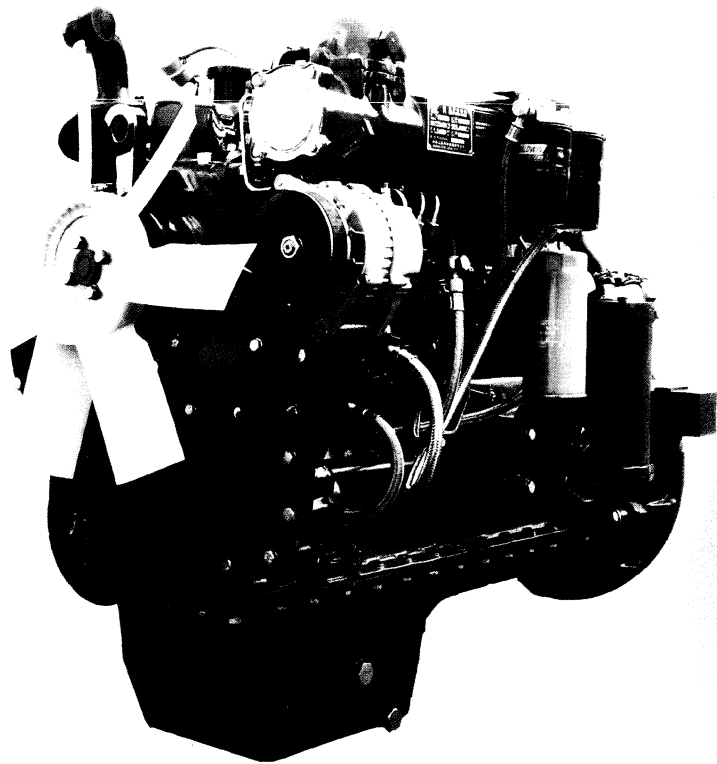




R 系列柴油机零件图册

R SERIES DIESEL ENGINE PARTS CATALOG



山东潍柴华丰动力有限公司

Shandong Weichai Huafeng Power Co.,Ltd

R 系列柴油机零件图册

R SERIES DIESEL ENGINE PARTS CATALOG

山东潍柴华丰动力有限公司
Shandong Weichai Huafeng Power Co., Ltd

R 系列柴油机零件图册

前 言

R 系列柴油机为四冲程、水冷、直列、直喷 ω 燃烧室高速柴油机,是英国里卡多(RICARDO)公司为我国设计并与我公司联合研制的国内同类型柴油机的换代产品,具有良好的动力性、经济性、起动性能,可靠性好,寿命达到世界同类产品先进水平。

该系列柴油机有缸径为 100mm 的四缸和缸径为 105mm 的四、六缸自然吸气和增压六种通用机型,在此基础上根据使用要求对部分零件作相应变动后形成变型产品,可广泛用于拖拉机、联合收割机、汽车、工程机械、发电机组、农业、水利机械、渔船等。

为便于用户对柴油机的使用、维修,我们编写了这本包括多种机型的综合零件图册,编制原则如下:

- 1、同一功能形状不同的零件尽量并列在一起,通用型零件用实引线表示装配关系,变型零件用虚引线表示。零件之间的相互方位基本与实际情况一致。
- 2、同一功能形状相近且安装在同一零件上的零件,只画一件,其余零件不画出,其标号带括号。
- 3、外购的部件其型号标在表中相应部件代号的下方,并带括号。

4、不同机型的同样零件只画一个。

5、管路可以只画两端,中间断开,如不能用中心线相连,则要同时在二端标出同一标号。被管路连接的零件如系另一总成,用细实线画出被连结零件的局部图形,特殊情况可以用文字注明连接何零件。

6、在柴油机型号栏中,空白格为基本型,“Z”“T”“G”“D”等为结构特征符号或用途特征符号,如,R4100ZT,代表 R 系列 4 缸,缸径 100mm,涡轮增压拖拉机用柴油机。

因产品在不断改进和开发,在本图册中印出之后的零件变动不可能及时反映,敬请用户注意。

本图册由王文民、郝思先、周久生、庄龙平、杜曦、杨林、唐金池、葛红、孙恩澄、魏志友、朱元明编写,王敏、张元雄审定。

由于编者水平所限,缺点错误在所难免,恳请读者指正。

编者

2006.5

R Series Diesel Engine Parts Catalogue

PREFACE

R series diesel engine is a family of high speed engine of four – stroke , water – cooled , in – line , direct injection and ω type chamber. It is a new generation product that designed by RICARDO and developed by RICARDO and Weifang Diesel Engine Limited Company , with good dynamic characteristics , fuel economy as well as excellent starting performance , the reliability and service life of the R series engines have reached the advanced world level among the products of the kind.

R series includes 4 – cylinder (bore 100) , 4 and 6 – cylinder (bore 105) general purpose diesel engines , with natural aspirating and super charging type. According to the requirements , various versions of R Series can be developed by modifying , some parts so as to satisfy the different applications , such as tractors , trucks , combine – harvesters , engineering machinery , generating sets and water conservancy facilities , fishing boats and so on.

In order for the users to operate and maintain the diesel engines , we compile this comprehensive parts catalogue which includes many kinds of model. The compiling principle is as follow :

1. The parts with same functions but different in shape will be listed together , the continuous line indicates the assembling relations of the common parts while dash line indicates the version parts. The relative position of the parts is basically in concordance with the actual situation.

2. For the parts fitted in same sub – assembly ,with same fountions and similar in shape ,only one piece is shown ,while the others are listed in the brackets.

3. The types of components purchased from other factorys indicated under the corresponding parts in brackets in the table.

4. Only one of the same parts of various engine types is described.

5. Pipes may be drawn only by the two ends with the middle interrupt. If the two ends of a pipe can not be connected by centre line ,the same marks are signed on the two ends. If the part connected by a pipe belongs to other assembly ,the partial drawing of the connected part is described with fine continuous line. Give the name of connected part at exceptional case.

6. In diesel model column of this parts catalogue ,blank forms indicate the primary model ,and “Z” , “T” , “G” , “D” etc. signals represent the structure and use features of engines. For instance ,“R4100ZT” , expresses R series ,four – cylinder ,bore 100mm ,turbocharged diesel engine which is used for tractors.

Because of the continuous improvement and development of the products ,the parts changed after this parts catalogue be printed could not be reflected timely ,so the users are requested to pay attention to this.

This parts catalogue is compiled by Wang Wenmin ,Hao Sixian ,Zhou Jiusheng ,Zhuang Rongping ,Du Xi ,Yang Lin ,Tang Jinchi ,Ge Hong ,Sun Encheng ,Wei Zhiyou ,Zhu Yuanming ,examined and approved by Wang Min ,Zhang Yuanxiong.

2006.5

目 录

CONTENTS

1. 气缸盖及罩总成
CYLINDER HEAD & COVER ASSEMBLY
2. 机体总成(机体、油底壳、正时齿轮室、后油封壳体总成)
CYLINDER BLOCK ASSEMBLY(CYLINDER BLOCK、OIL SUMP、TIMING GEAR CASE、REAR OIL SEAL HOUSING ASSEMBLY)
3. 凸轮轴总成
CAMSHAFT ASSEMBLY
4. 曲轴飞轮总成
CRANKSHAFT & FLYWHEEL ASSEMBLY
5. 活塞连杆总成
PISTON AND CONNECTING ROD ASSEMBLY
6. 齿轮系总成
GEAR SYSTEM ASSEMBLY
7. 进气系统(空滤器、进气管总成、铭牌)
AIR INTAKE SYSTEM(AIR CLEANER、AIR INLET MANIFOLD ASSEMBLY、NAME PLATE)
8. 排气系统(排气管、消声器总成)
EXHAUST SYSTEM(EXHAUST MANIFOLD、SILENCER ASSEMBLY)
9. 燃油系统(喷油泵、喷油器、柴油滤清器、高压油管、低压油管、供油提前器总成)
FUEL SYSTEM(FUEL INJECTION PUMP、INJECTOR、FUEL FILTER、HIGH PRESSURE FUEL PIPE、LOW PRESSURE FUEL PIPE、INJECTION ADVANCE DEVICE ASSEMBLY)

10. 油门操纵机构总成

FUEL CONTROLING MECHANISM ASSEMBLY

11. 润滑系统(曲轴箱通风装置、机油泵、机油集滤器、机油滤清器、机油冷却器、喷油冷却总成)

LUBRICATING SYSTEM(CRANKCASE VENTILATION、OIL PUMP、OIL GATHERER、OIL FILTER、OIL COOLER、OIL JET ASSEMBLY)

12. 冷却系统(水泵、风扇与水泵皮带轮、节温器、散热器总成)

COOLING SYSTEM(WATER PUMP、FAN & WATER PUMP AND BELT PULLEY、THERMOSTAT、RADIATOR ASSEMBLY)

13. 电器系统(起动电机、充电发电机、电压调节器、电器线路、仪表及仪表盘、蓄电池、油压传感器及报警器总成)

ELECTRICAL SYSTEM(STARTING MOTOR、ALTERNATOR、REGULATOR、ELECTRICAL WIRE、INSTRUMENT & PANEL、STORAGE BATTERY、OIL PRESSURE SENSOR & ALARM ASSEMBLY)

14. 空气压缩机总成

AIR COMPRESSOR ASSEMBLY

15. 增压器总成

TURBOCHARGER ASSEMBLY

16. 离合器总成

CLUTCH ASSEMBLY

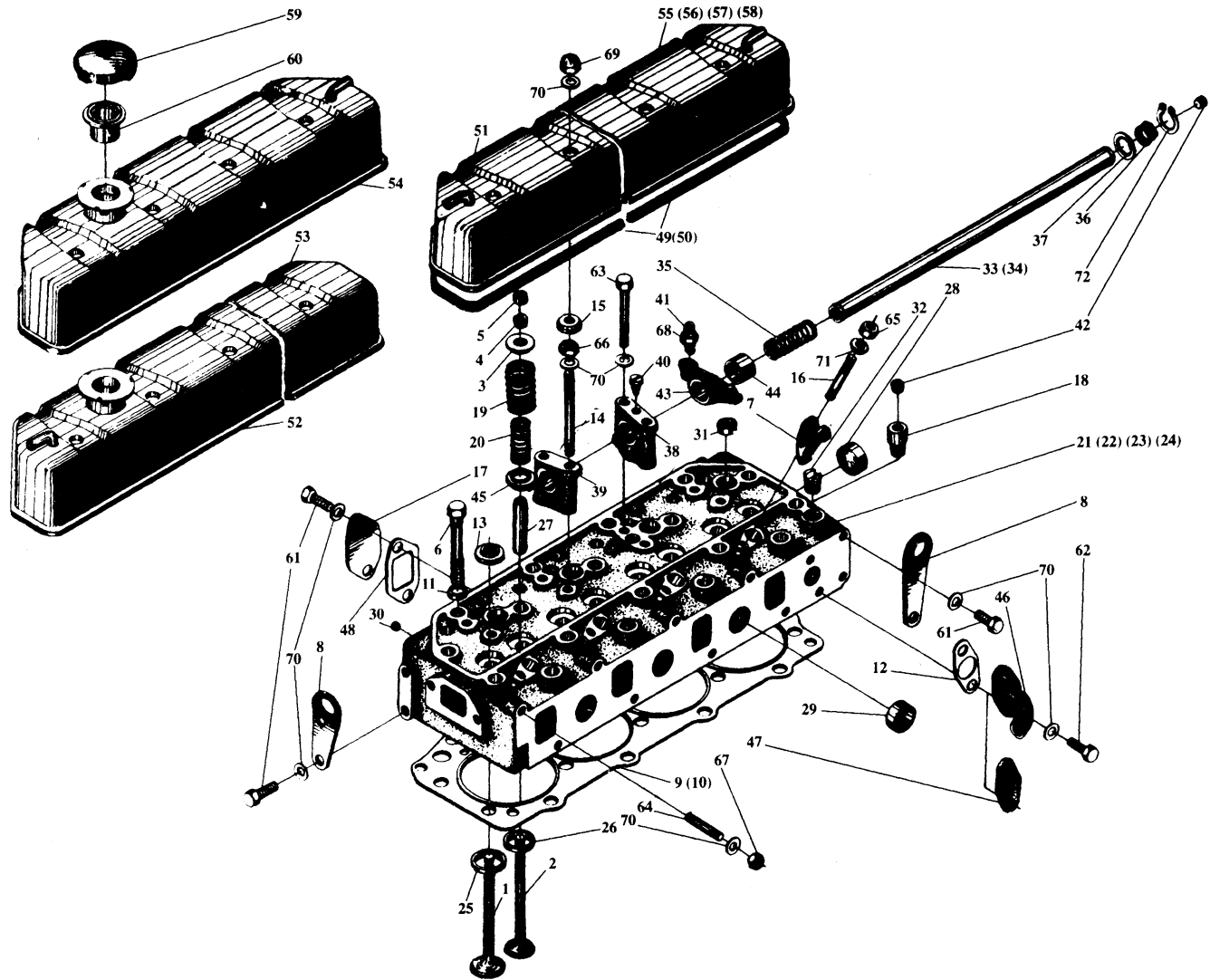
17. 支架底座总成

BRACKET AND SUPPORT SEAT ASSEMBLY

18. 随机工具

TOOLS SUPPLIED WITH ENGINE

气缸盖及罩总成



1. 气缸盖及罩总成

CYLINDER HEAD & COVER ASSEMBLY

| 柴 油 机 型 号 Model | | | R4100 | | | | | | | | | | R4105 | | | | | R6105 | | | | | | | |
|--------------------|------------------|---|-------------------------|----|----|----|----|----|----|----|-----|----|-------|----|----|----|----|-------|----|----|----|----|----|----|----|
| | | | T | T4 | ZT | G | G4 | G8 | G9 | D1 | ZD1 | | Z | T | G | G3 | P | | Z | Q | Q1 | Q2 | P | | |
| 序号 Item | 零件代号 Part No. | 零件名称 Description | 每 台 数 量 Q'ty per set | | | | | | | | | | | | | | | | | | | | | | |
| 1 | R010001Y-1 | 进气门 Inlet valve | 4 | 4 | 4 | 4 | 4 | 4 | 4 | 4 | 4 | 4 | 4 | 4 | 4 | 4 | 4 | 4 | 4 | 6 | 6 | 6 | 6 | 6 | 6 |
| 2 | R010002-1 | 排气门 Exhaust valve | 4 | 4 | 4 | 4 | 4 | 4 | 4 | 4 | 4 | 4 | 4 | 4 | 4 | 4 | 4 | 4 | 4 | 6 | 6 | 6 | 6 | 6 | 6 |
| 3 | R010004-1 | 气门弹簧座 Valve spring retainer | 8 | 8 | 8 | 8 | 8 | 8 | 8 | 8 | 8 | 8 | 8 | 8 | 8 | 8 | 8 | 8 | 8 | 12 | 12 | 12 | 12 | 12 | 12 |
| 4 | R010005 | 气门锁夹 Valve lock clamp | 16 | 16 | 16 | 16 | 16 | 16 | 16 | 16 | 16 | 16 | 16 | 16 | 16 | 16 | 16 | 16 | 16 | 24 | 24 | 24 | 24 | 24 | 24 |
| 5 | R010006 | 气门杆护帽 Valve stem cap | 8 | 8 | 8 | 8 | 8 | 8 | 8 | 8 | 8 | 8 | 8 | 8 | 8 | 8 | 8 | 8 | 8 | 12 | 12 | 12 | 12 | 12 | 12 |
| 6 | R010007 | 气缸盖螺栓 Cylinder head bolt | 18 | 18 | 18 | 18 | 18 | 18 | 18 | 18 | 18 | 18 | 18 | 18 | 18 | 18 | 18 | 18 | 18 | 26 | 26 | 26 | 26 | 26 | 26 |
| 7 | R010008 | 喷油器压板 Clamping plate, injector | 4 | 4 | 4 | 4 | 4 | 4 | 4 | 4 | 4 | 4 | 4 | 4 | 4 | 4 | 4 | 4 | 4 | 6 | 6 | 6 | 6 | 6 | 6 |
| 8 | R010009 | 吊 耳 Lifting ring | 2 | 2 | 2 | 2 | 2 | 2 | 2 | 2 | 2 | 2 | 2 | 2 | 2 | 2 | 2 | 2 | 2 | 2 | 2 | 2 | 2 | 2 | 2 |
| 9 | 4R010011 | 气缸盖垫片 Cylinder head gasket | 1 | 1 | 1 | 1 | 1 | 1 | 1 | 1 | 1 | 1 | 1 | 1 | 1 | 1 | 1 | 1 | 1 | | | | | | |
| (10) | 6R010011 | 气缸盖垫片 Cylinder head gasket | | | | | | | | | | | | | | | | | | 1 | 1 | 1 | 1 | 1 | 1 |
| 11 | R010012 | 气缸盖螺栓垫圈 Washer, cylinder head bolt | 18 | 18 | 18 | 18 | 18 | 18 | 18 | 18 | 18 | 18 | 18 | 18 | 18 | 18 | 18 | 18 | 18 | 26 | 26 | 26 | 26 | 26 | 26 |
| 12 | R010013 | 回水接头垫片 Gasket, return water pipe joint | 1 | 1 | 1 | 1 | 1 | 1 | 1 | 1 | 1 | 1 | 1 | 1 | 1 | 1 | 1 | 1 | 1 | 1 | 1 | 1 | 1 | 1 | 1 |
| 13 | R010015-1 | 进气门弹簧垫块 Bed plate, inlet valve spring | 4 | 4 | 4 | 4 | 4 | 4 | 4 | 4 | 4 | 4 | 4 | 4 | 4 | 4 | 4 | 4 | 4 | 6 | 6 | 6 | 6 | 6 | 6 |
| 14 | R010016 | 摇臂座螺柱 Stud, rocker arm seat | 4 | 4 | 4 | 4 | 4 | 4 | 4 | 4 | 4 | 4 | 4 | 4 | 4 | 4 | 4 | 4 | 4 | 6 | 6 | 6 | 6 | 6 | 6 |

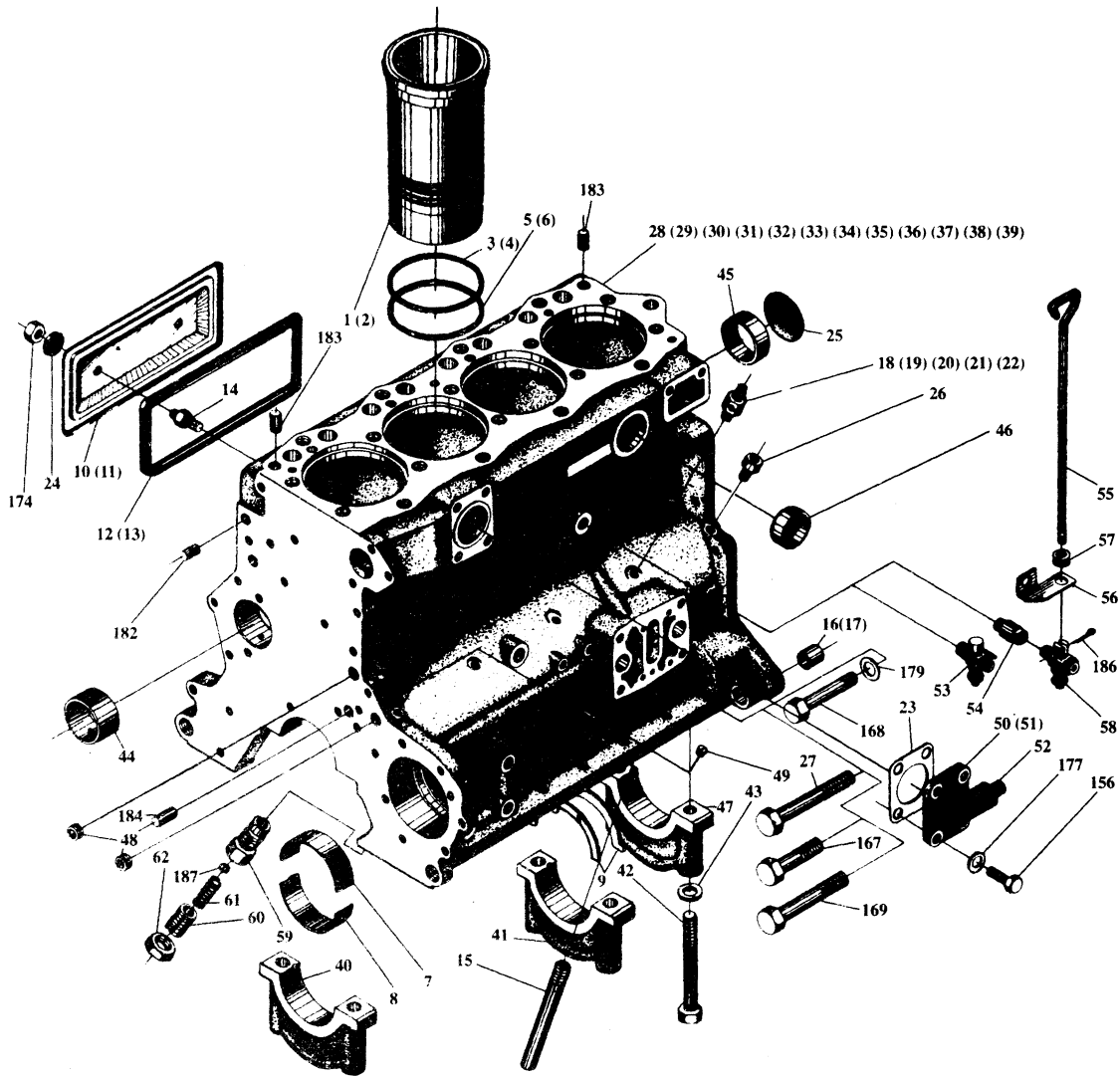
| 柴 油 机 型 号 Model | | | | R4100 | | | | | | | | | | R4105 | | | | | R6105 | | | | | | | | | | | | | | |
|--------------------|------------------|------------------------|--|-------------------------|----|----|---|----|----|----|----|-----|---|-------|---|---|----|---|-------|---|----|----|---|---|---|---|----|----|----|----|----|----|----|
| | | | | T | T4 | ZT | G | G4 | G8 | G9 | D1 | ZD1 | | Z | T | G | G3 | P | Z | Q | Q1 | Q2 | P | | | | | | | | | | |
| 序号 Item | 零件代号 Part No. | 零 件 名 称 Description | | 每 台 数 量 Q'ty per set | | | | | | | | | | | | | | | | | | | | | | | | | | | | | |
| 15 | R010017 | 密封垫圈 | Seal ring | 4 | 4 | 4 | 4 | 4 | 4 | 4 | 4 | 4 | 4 | 4 | 4 | 4 | 4 | 4 | 4 | 4 | 4 | 4 | 4 | 4 | 4 | 4 | 6 | 6 | 6 | 6 | 6 | 6 | |
| 16 | R010018 | 喷油器压板螺柱 | Clamping plate stud, injector | 4 | 4 | 4 | 4 | 4 | 4 | 4 | 4 | 4 | 4 | 4 | 4 | 4 | 4 | 4 | 4 | 4 | 4 | 4 | 4 | 4 | 4 | 4 | 4 | 6 | 6 | 6 | 6 | 6 | 6 |
| 17 | 6RQ010019 | 闷 板 | Cover plate | | | | 1 | | | 1 | 1 | | | | | | | | | | | | | | | | | | | | | | |
| 18 | 6R1Q010021 | 接 头 | Adapter | | | | | | | | | | | | | | | | | | | | | | | 1 | | | | | | | |
| 19 | R010022 | 进排气门外弹簧 | Outer spring ,inlet & exhaust valve | 8 | 8 | 8 | 8 | 8 | 8 | 8 | 8 | 8 | 8 | 8 | 8 | 8 | 8 | 8 | 8 | 8 | 8 | 8 | 8 | 8 | 8 | 8 | 8 | 12 | 12 | 12 | 12 | 12 | 12 |
| 20 | R010023 | 进排气门内弹簧 | Inner spring ,inlet & exhaust valve | 8 | 8 | 8 | 8 | 8 | 8 | 8 | 8 | 8 | 8 | 8 | 8 | 8 | 8 | 8 | 8 | 8 | 8 | 8 | 8 | 8 | 8 | 8 | 8 | 12 | 12 | 12 | 12 | 12 | 12 |
| 21 | 4R010101Y | 气缸盖 | Cylinder head | 1 | 1 | 1 | | 1 | 1 | | | 1 | 1 | 1 | 1 | 1 | 1 | 1 | 1 | 1 | 1 | 1 | 1 | 1 | 1 | | | | | | | | |
| 22 | 4RZT010101Y | 气缸盖 | Cylinder head | | | | 1 | | | | 1 | 1 | | | | | | | | | | | | | | | | | | | | | |
| (23) | 6R010101Y | 气缸盖 | Cylinder head | | | | | | | | | | | | | | | | | | | | | | | 1 | 1 | 1 | 1 | | | | |
| (24) | 6RQ010101Y | 气缸盖 | Cylinder head | | | | | | | | | | | | | | | | | | | | | | | | | | | | | | 1 |
| 25 | R010102Y | 进气门座圈 | Inlet valve seat ring | 4 | 4 | 4 | 4 | 4 | 4 | 4 | 4 | 4 | 4 | 4 | 4 | 4 | 4 | 4 | 4 | 4 | 4 | 4 | 4 | 4 | 4 | 4 | 6 | 6 | 6 | 6 | 6 | 6 | |
| 26 | R010103 | 排气门座圈 | Exhaust valve seat ring | 4 | 4 | 4 | 4 | 4 | 4 | 4 | 4 | 4 | 4 | 4 | 4 | 4 | 4 | 4 | 4 | 4 | 4 | 4 | 4 | 4 | 4 | 4 | 6 | 6 | 6 | 6 | 6 | 6 | |
| 27 | R010104 | 气门导管 | Valve guide tube | 8 | 8 | 8 | 8 | 8 | 8 | 8 | 8 | 8 | 8 | 8 | 8 | 8 | 8 | 8 | 8 | 8 | 8 | 8 | 8 | 8 | 8 | 8 | 12 | 12 | 12 | 12 | 12 | 12 | |
| 28 | R010105 | 端面闷塞 | Expansion plug | 1 | 1 | 1 | 1 | 1 | 1 | 1 | 1 | 1 | 1 | 1 | 1 | 1 | 1 | 1 | 1 | 1 | 1 | 1 | 1 | 1 | 1 | 1 | 1 | 1 | 1 | 1 | 1 | 1 | |
| 29 | R010106 | 进气管侧闷塞 | Expansion plug | 3 | 3 | 3 | 3 | 3 | 3 | 3 | 3 | 3 | 3 | 3 | 3 | 3 | 3 | 3 | 3 | 3 | 3 | 3 | 3 | 3 | 3 | 3 | 5 | 5 | 5 | 5 | 5 | 5 | |
| 30 | R010107 | 气门鼻梁喷水孔闷塞 | Expansion plug | 4 | 4 | 4 | 4 | 4 | 4 | 4 | 4 | 4 | 4 | 4 | 4 | 4 | 4 | 4 | 4 | 4 | 4 | 4 | 4 | 4 | 4 | 4 | 6 | 6 | 6 | 6 | 6 | 6 | |
| 31 | R010108 | 出砂孔闷塞 | Expansion plug | 4 | 4 | 4 | 4 | 4 | 4 | 4 | 4 | 4 | 4 | 4 | 4 | 4 | 4 | 4 | 4 | 4 | 4 | 4 | 4 | 4 | 4 | 4 | 6 | 6 | 6 | 6 | 6 | 6 | |

| 柴油机型号 Model | | | R4100 | | | | | | | | | | R4105 | | | | | R6105 | | | | | | | | | | | | | | | | | | | | | | | | | | | | | | | | | | | |
|----------------|------------------|------------------------------|--------------------------------|----------------------|----|---|----|----|----|----|-----|---|-------|---|---|----|---|-------|----|----|----|----|----|----|----|----|----|----|----|----|----|----|----|----|----|----|----|----|----|----|----|----|----|----|----|----|----|----|----|----|----|----|----|
| | | | T | T4 | ZT | G | G4 | G8 | G9 | D1 | ZD1 | | Z | T | G | G3 | P | Z | Q | Q1 | Q2 | P | | | | | | | | | | | | | | | | | | | | | | | | | | | | | | | |
| 序号 Item | 零件代号 Part No. | 零件名称 Description | | 每台数量 Q'ty per set | | | | | | | | | | | | | | | | | | | | | | | | | | | | | | | | | | | | | | | | | | | | | | | | | |
| 32 | R010109 | 锥形螺塞 | Conic plug | 1 | 1 | 1 | 1 | 1 | 1 | 1 | 1 | 1 | 1 | 1 | 1 | 1 | 1 | 1 | 1 | 1 | 1 | 1 | 1 | 1 | 1 | 1 | 1 | 1 | 1 | 1 | 1 | 1 | 1 | 1 | 1 | 1 | 1 | 1 | 1 | 1 | 1 | 1 | | | | | | | | | | | |
| 33 | 4R010201 | 气门摇臂轴 | Valve rocker shaft | 1 | 1 | 1 | 1 | 1 | 1 | 1 | 1 | 1 | 1 | 1 | 1 | 1 | 1 | 1 | 1 | 1 | | | | | | | | | | | | | | | | | | | | | | | | | | | | | | | | | |
| (34) | 6R010201 | 气门摇臂轴 | Valve rocker shaft | | | | | | | | | | | | | | | | | | | 2 | 2 | 2 | 2 | 2 | 2 | 2 | 2 | 2 | 2 | 2 | 2 | 2 | 2 | 2 | 2 | 2 | 2 | 2 | 2 | 2 | 2 | 2 | 2 | 2 | | | | | | | |
| 35 | R010202 | 摇臂轴弹簧 | Spring, rocker shaft | 3 | 3 | 3 | 3 | 3 | 3 | 3 | 3 | 3 | 3 | 3 | 3 | 3 | 3 | 3 | 3 | 3 | 3 | 4 | 4 | 4 | 4 | 4 | 4 | 4 | 4 | 4 | 4 | 4 | 4 | 4 | 4 | 4 | 4 | 4 | 4 | 4 | 4 | 4 | 4 | 4 | 4 | 4 | 4 | 4 | | | | | |
| 36 | R010203 | 摇臂轴端弹簧 | Spring, rocker shaft end | 2 | 2 | 2 | 2 | 2 | 2 | 2 | 2 | 2 | 2 | 2 | 2 | 2 | 2 | 2 | 2 | 2 | 4 | 4 | 4 | 4 | 4 | 4 | 4 | 4 | 4 | 4 | 4 | 4 | 4 | 4 | 4 | 4 | 4 | 4 | 4 | 4 | 4 | 4 | 4 | 4 | 4 | 4 | 4 | 4 | | | | | |
| 37 | R010204 | 摇臂轴垫圈 | Washer, rocker shaft | 2 | 2 | 2 | 2 | 2 | 2 | 2 | 2 | 2 | 2 | 2 | 2 | 2 | 2 | 2 | 2 | 4 | 4 | 4 | 4 | 4 | 4 | 4 | 4 | 4 | 4 | 4 | 4 | 4 | 4 | 4 | 4 | 4 | 4 | 4 | 4 | 4 | 4 | 4 | 4 | 4 | 4 | 4 | 4 | 4 | 4 | | | | |
| 38 | R010205 | 摇臂座(供油用) | Rocker arm seat(for oil) | 1 | 1 | 1 | 1 | 1 | 1 | 1 | 1 | 1 | 1 | 1 | 1 | 1 | 1 | 1 | 1 | 2 | 2 | 2 | 2 | 2 | 2 | 2 | 2 | 2 | 2 | 2 | 2 | 2 | 2 | 2 | 2 | 2 | 2 | 2 | 2 | 2 | 2 | 2 | 2 | 2 | 2 | 2 | 2 | 2 | 2 | 2 | | | |
| 39 | R010206 | 摇臂座 | Rocker arm seat | 3 | 3 | 3 | 3 | 3 | 3 | 3 | 3 | 3 | 3 | 3 | 3 | 3 | 3 | 3 | 3 | 4 | 4 | 4 | 4 | 4 | 4 | 4 | 4 | 4 | 4 | 4 | 4 | 4 | 4 | 4 | 4 | 4 | 4 | 4 | 4 | 4 | 4 | 4 | 4 | 4 | 4 | 4 | 4 | 4 | 4 | 4 | 4 | | |
| 40 | R010207 | 摇臂轴定位螺钉 | Locating screw, rocker shaft | 1 | 1 | 1 | 1 | 1 | 1 | 1 | 1 | 1 | 1 | 1 | 1 | 1 | 1 | 1 | 1 | 2 | 2 | 2 | 2 | 2 | 2 | 2 | 2 | 2 | 2 | 2 | 2 | 2 | 2 | 2 | 2 | 2 | 2 | 2 | 2 | 2 | 2 | 2 | 2 | 2 | 2 | 2 | 2 | 2 | 2 | 2 | 2 | 2 | |
| 41 | R010208 | 摇臂调节螺钉 | Adjusting screw, rocker arm | 8 | 8 | 8 | 8 | 8 | 8 | 8 | 8 | 8 | 8 | 8 | 8 | 8 | 8 | 8 | 8 | 12 | 12 | 12 | 12 | 12 | 12 | 12 | 12 | 12 | 12 | 12 | 12 | 12 | 12 | 12 | 12 | 12 | 12 | 12 | 12 | 12 | 12 | 12 | 12 | 12 | 12 | 12 | 12 | 12 | 12 | 12 | 12 | 12 | 12 |
| 42 | R010209 | 方槽锥形螺塞 ZG $\frac{3}{8}$ " | Conic plug ZG $\frac{3}{8}$ " | 2 | 2 | 2 | 2 | 2 | 2 | 2 | 2 | 2 | 2 | 2 | 2 | 2 | 2 | 2 | 4 | 4 | 4 | 4 | 4 | 4 | 4 | 4 | 4 | 4 | 4 | 4 | 4 | 4 | 4 | 4 | 4 | 4 | 4 | 4 | 4 | 4 | 4 | 4 | 4 | 4 | 4 | 4 | 4 | 4 | 4 | 4 | 4 | 4 | |
| 43 | R010251 | 气门摇臂 | Valve rocker arm | 8 | 8 | 8 | 8 | 8 | 8 | 8 | 8 | 8 | 8 | 8 | 8 | 8 | 8 | 8 | 12 | 12 | 12 | 12 | 12 | 12 | 12 | 12 | 12 | 12 | 12 | 12 | 12 | 12 | 12 | 12 | 12 | 12 | 12 | 12 | 12 | 12 | 12 | 12 | 12 | 12 | 12 | 12 | 12 | 12 | 12 | 12 | 12 | 12 | |
| 44 | R010252 | 摇臂轴衬套 | Rocker arm bush | 8 | 8 | 8 | 8 | 8 | 8 | 8 | 8 | 8 | 8 | 8 | 8 | 8 | 8 | 8 | 12 | 12 | 12 | 12 | 12 | 12 | 12 | 12 | 12 | 12 | 12 | 12 | 12 | 12 | 12 | 12 | 12 | 12 | 12 | 12 | 12 | 12 | 12 | 12 | 12 | 12 | 12 | 12 | 12 | 12 | 12 | 12 | 12 | 12 | |
| 45 | R010300 | 气门旋转机构部件 | Valve rotator subassem- bly | 4 | 4 | 4 | 4 | 4 | 4 | 4 | 4 | 4 | 4 | 4 | 4 | 4 | 4 | 6 | 6 | 6 | 6 | 6 | 6 | 6 | 6 | 6 | 6 | 6 | 6 | 6 | 6 | 6 | 6 | 6 | 6 | 6 | 6 | 6 | 6 | 6 | 6 | 6 | 6 | 6 | 6 | 6 | 6 | 6 | 6 | 6 | 6 | | |

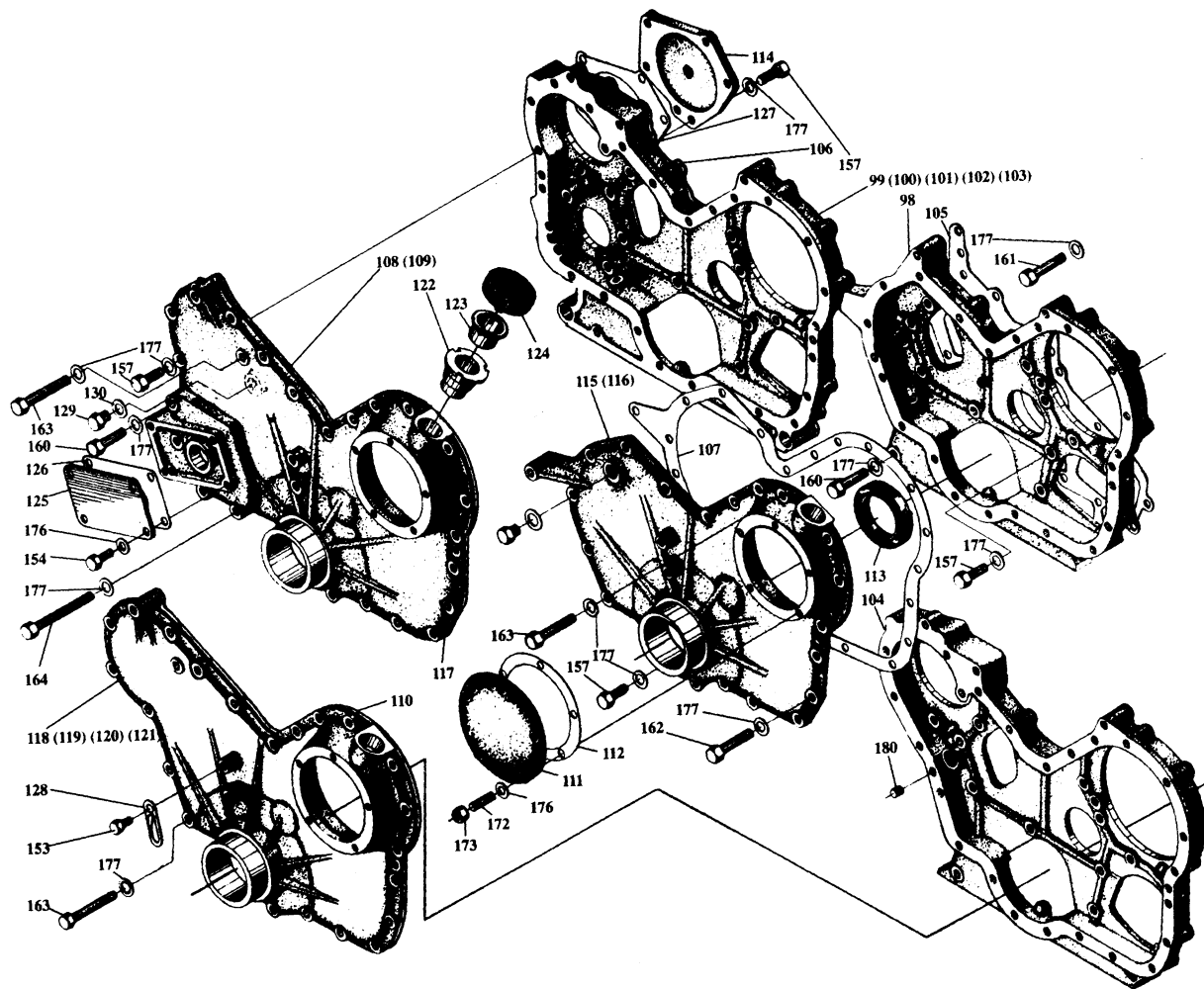
| 柴 油 机 型 号 Model | | | | R4100 | | | | | | | | R4105 | | | | | R6105 | | | | | | | | | | | | | | |
|--------------------|------------------|------------------------|--|-------------------------|----|----|---|----|----|----|----|-------|---|---|---|----|-------|---|---|----|----|---|--|--|---|---|---|---|---|---|--|
| | | | | T | T4 | ZT | G | G4 | G8 | G9 | D1 | ZD1 | Z | T | G | G3 | P | Z | Q | Q1 | Q2 | P | | | | | | | | | |
| 序号 Item | 零件代号 Part No. | 零 件 名 称 Description | | 每 台 数 量 Q'ty per set | | | | | | | | | | | | | | | | | | | | | | | | | | | |
| 46 | R010400-2 | 回水接头焊接部件 | Welding subassembly, return water pipe joint | 1 | 1 | | 1 | 1 | 1 | | | 1 | 1 | 1 | 1 | | 1 | 1 | 1 | 1 | 1 | | | | | 1 | | | | | |
| 47 | 4R1T010401 | 法 兰 | Flange | | | 1 | | | | 1 | 1 | | | | | | 1 | | | | | | | | 1 | 1 | 1 | | | | |
| 48 | R530004 | 垫 片 | Gasket | | | | 1 | | | 1 | 1 | | | | | | | | | | | | | | | | | | | | |
| 49 | 4R110001 | 气缸盖罩垫圈 | Gasket, cylinder head cover | 1 | 1 | 1 | 1 | 1 | 1 | 1 | 1 | 1 | 1 | 1 | 1 | 1 | 1 | 1 | 1 | 1 | 1 | | | | | | | | | | |
| 50 | 6R110001 | 气缸盖罩垫圈 | Gasket, cylinder head cover | | | | | | | | | | | | | | | | | | | | | | 1 | 1 | 1 | 1 | 1 | 1 | |
| 51 | 4R110100 | 气缸盖罩部件 | Cylinder head cover sub-assembly | 1 | | 1 | | | | | | 1 | | 1 | 1 | | | | | | | 1 | | | | | | | | | |
| 52 | 4RT110100 | 气缸盖罩部件 | Cylinder head cover sub-assembly | | 1 | | | | | | | | | | | | | | | | | | | | | | | | | | |
| 53 | 4RZT110100 | 气缸盖罩部件 | Cylinder head cover sub-assembly | | | | 1 | | | | | | 1 | | | | | | | | | | | | | | | | | | |
| 54 | 4RG110100 | 气缸盖罩部件 | Cylinder head cover sub-assembly | | | | | 1 | 1 | 1 | 1 | | | | | | 1 | | | | | | | | | | | | | | |
| 55 | 4R1T110100 | 气缸盖罩部件 | Cylinder head cover sub-assembly | | | | | | | | | 1 | | | | | | | | | | | | | | | | | | | |
| (56) | 6R110100 | 气缸盖罩部件 | Cylinder head cover sub-assembly | | | | | | | | | | | | | | | | | | | | | | 1 | 1 | 1 | | | 1 | |
| (57) | 6RQ110100 | 气缸盖罩部件 | Cylinder head cover sub-assembly | | | | | | | | | | | | | | | | | | | | | | | | | | | 1 | |

| 柴 油 机 型 号 Model | | R4100 | | | | | | | | | | R4105 | | | | | R6105 | | | | | | | | | | | | | | |
|--------------------|----------------------------|---------------------|----------------------------------|-------------------------|----|----|----|----|----|-----|----|-------|----|----|----|----|-------|----|----|----|----|----|----|----|----|----|----|----|----|----|----|
| | | T | T4 | ZT | G | G4 | G8 | G9 | D1 | ZD1 | | Z | T | G | G3 | P | Z | Q | Q1 | Q2 | P | | | | | | | | | | |
| 序号 Item | 零件代号 Part No. | 零件名称 Description | | 每 台 数 量 Q'ty per set | | | | | | | | | | | | | | | | | | | | | | | | | | | |
| (58) | 6R1Q1110100 | 气缸盖罩部件 | Cylinder head cover sub-assembly | | | | | | | | | | | | | | | | | | | | | | | | 1 | | | | |
| 59 | R0802000 - A | 加油口盖部件 | Cover, oil filling sub-assembly | 1 | | | 1 | 1 | 1 | 1 | | | | | 1 | | | | | | | | | | | | 1 | 1 | | | |
| 60 | R080160 - A | 加油口滤网分部件 | Screen, oil filling sub-assembly | 1 | | | 1 | 1 | 1 | 1 | | | | | 1 | | | | | | | | | | | | 1 | 1 | | | |
| 61 | M10 × 20 GB5783 | 全螺纹六角头螺栓 | Hex fully threaded bolt | 4 | 4 | 4 | 6 | 4 | 4 | 6 | 6 | 4 | 4 | 4 | 4 | 3 | 4 | 4 | 4 | 4 | 4 | 4 | 4 | 4 | 4 | 4 | 4 | 4 | 4 | | |
| 62 | M10 × 25 GB5783 | 全螺纹六角头螺栓 | Hex fully threaded bolt | 2 | 2 | 2 | 2 | 2 | 2 | 2 | 2 | 2 | 2 | 2 | 2 | 2 | 2 | 2 | 2 | 2 | 2 | 2 | 2 | 2 | 2 | 2 | 2 | 2 | 2 | | |
| 63 | M10 × 80 GB5782 | 六角头螺栓 | Hex bolt | 4 | 4 | 4 | 4 | 4 | 4 | 4 | 4 | 4 | 4 | 4 | 4 | 4 | 4 | 4 | 4 | 4 | 4 | 4 | 4 | 4 | 4 | 4 | 6 | 6 | 6 | 6 | 6 |
| 64 | M10 × 55 GB901 | 等长双头螺柱 | Double end stud | | | 4 | 4 | | | 4 | 4 | | | | | | | | | | | | | | | | | | | | |
| 65 | M8 GB6175 - 8 - H · Y | 六角螺母 | Hex nut | 4 | 4 | 4 | 4 | 4 | 4 | 4 | 4 | 4 | 4 | 4 | 4 | 4 | 4 | 4 | 4 | 4 | 4 | 4 | 4 | 4 | 4 | 6 | 6 | 6 | 6 | 6 | 6 |
| 66 | M8 GB6170 - 8 - H · Y | 六角螺母 | Hex nut | 4 | | 8 | 8 | 4 | 4 | 8 | 8 | 4 | 4 | 4 | | 4 | 4 | 4 | 4 | 4 | 4 | 4 | 4 | 4 | 4 | 6 | 6 | 6 | 6 | 6 | 6 |
| 67 | M10 GB6170 - 8 - H · Y | 六角螺母 | Hex nut | | | | | | | | | | | | | | | | | | | | | | | | | | | | |
| 68 | M10 × 1 GB6173 - 8 - H · Y | 六角螺母 | Hex nut | 8 | 8 | 8 | 8 | 8 | 8 | 8 | 8 | 8 | 8 | 8 | 8 | 8 | 8 | 8 | 8 | 8 | 8 | 8 | 8 | 8 | 8 | 12 | 12 | 12 | 12 | 12 | 12 |
| 69 | M8 GB923 - Zn · D | 球面垫圈 | Acorn nut | 4 | 4 | 4 | 4 | 4 | 4 | 4 | 4 | 4 | 4 | 4 | 4 | 4 | 4 | 4 | 4 | 4 | 4 | 4 | 4 | 4 | 4 | 6 | 6 | 6 | 6 | 6 | 6 |
| 70 | M10 GB848 - 140HV · Zn · D | 小垫圈 | Small plain washer | 12 | 12 | 16 | 18 | 12 | 12 | 18 | 18 | 12 | 12 | 12 | 12 | 12 | 12 | 12 | 12 | 12 | 12 | 12 | 12 | 12 | 16 | 16 | 16 | 16 | 16 | | |
| 71 | 8 GB849 | 球面垫圈 | Washer with ball face | 4 | 4 | 4 | 4 | 4 | 4 | 4 | 4 | 4 | 4 | 4 | 4 | 4 | 4 | 4 | 4 | 4 | 4 | 4 | 4 | 4 | 4 | 6 | 6 | 6 | 6 | 6 | 6 |
| 72 | 25 GB894.1 | 轴用弹性挡圈 | Circlip for shaft | 2 | 2 | 2 | 2 | 2 | 2 | 2 | 2 | 2 | 2 | 2 | 2 | 2 | 2 | 2 | 2 | 2 | 2 | 2 | 2 | 2 | 4 | 4 | 4 | 4 | 4 | 4 | 4 |

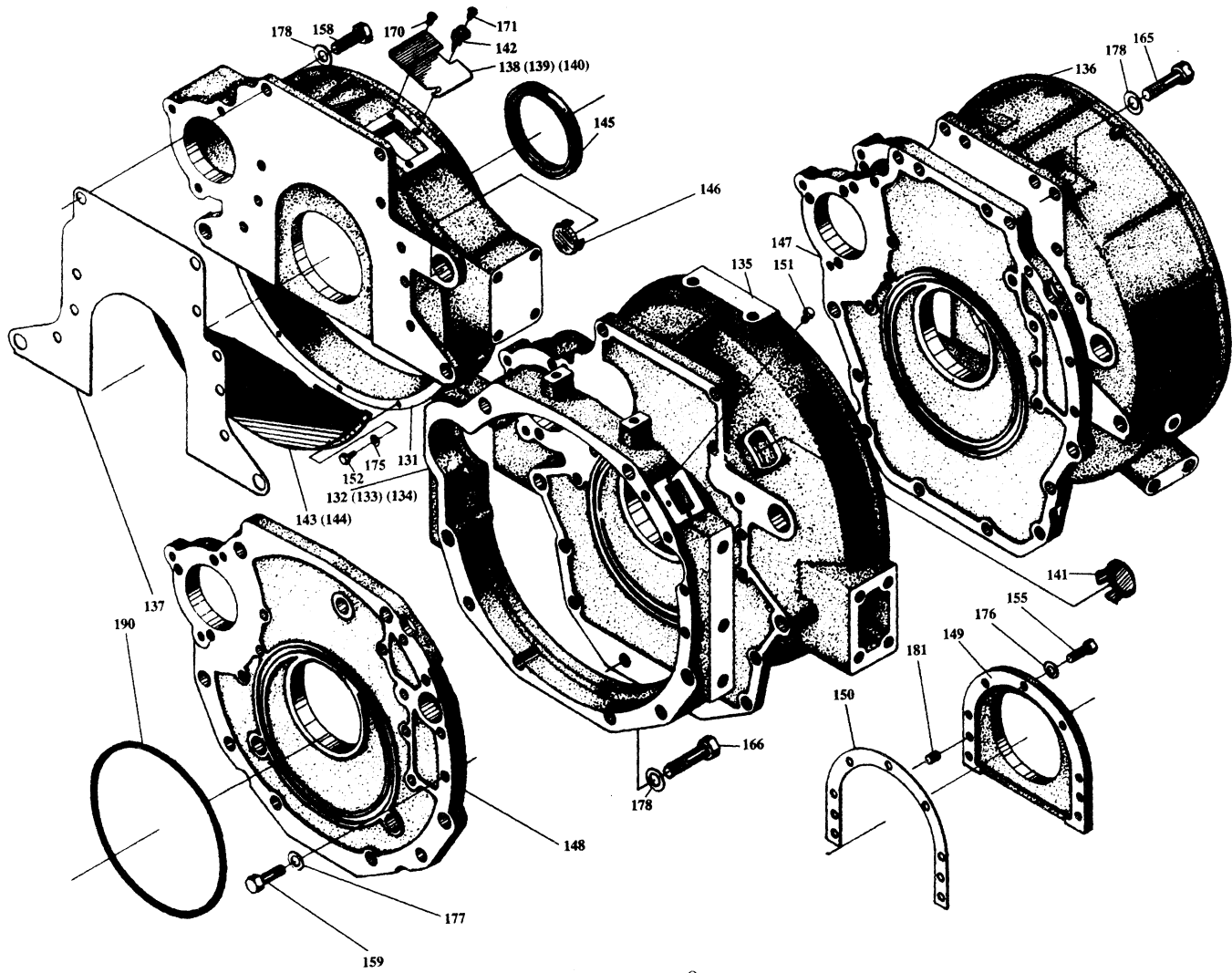
机体总成



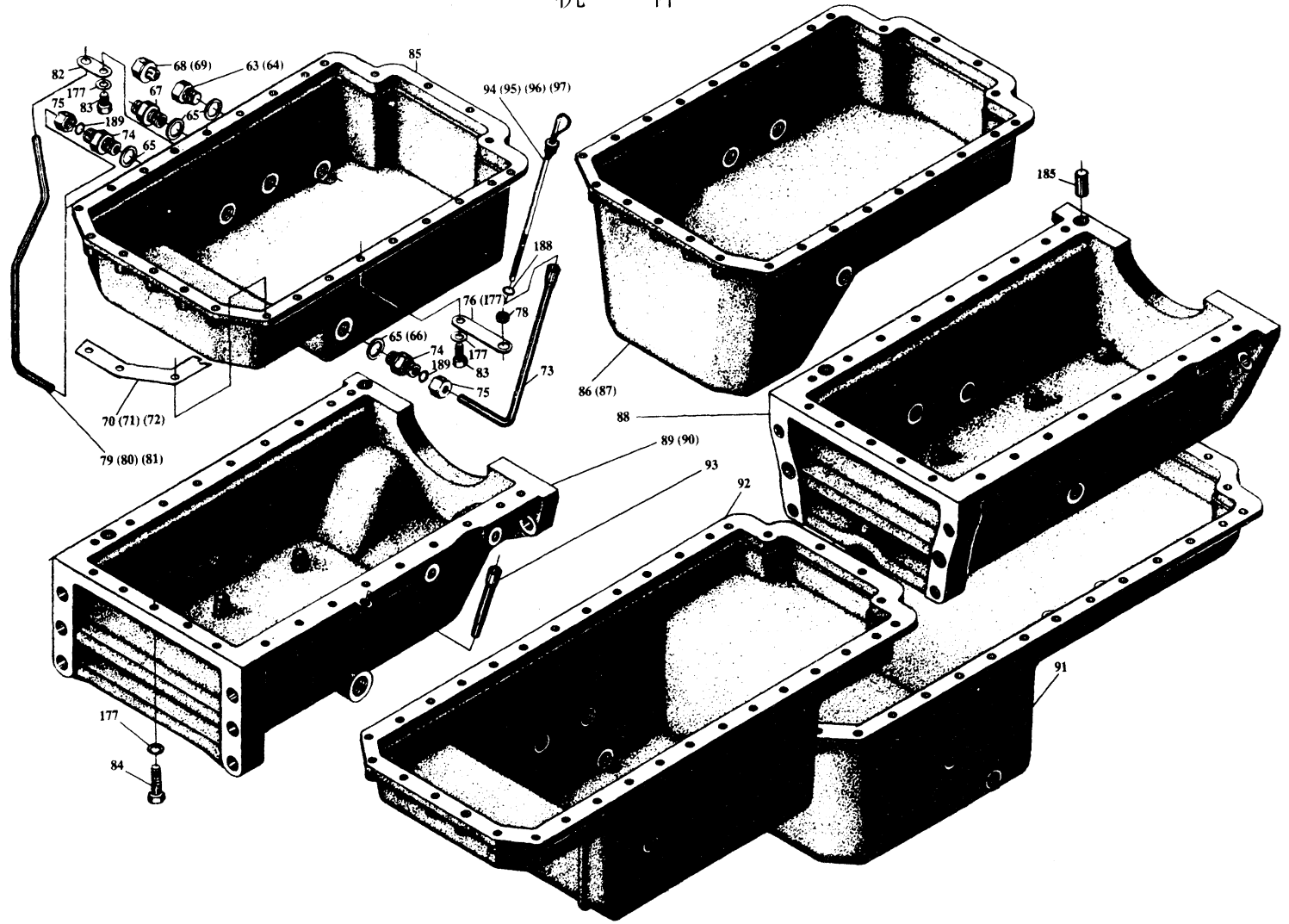
机体总成



机体总成



机 体



2. 机体总成 CYLINDER BLOCK ASSEMBLY

(机体、油底壳、正时齿轮室、后油封壳体总成)

(CYLINDER BLOCK、OIL SUMP、TIMING GEAR CASE、REAR OIL SEAL HOUSING ASSEMBLY)

| 柴 油 机 型 号 Model | | | R4100 | | | | | | | | | | R4105 | | | | | R6105 | | | | | | | | | | | | | | | | | | | | |
|--------------------|------------------|---------------------|----------------------------------|----|----|---|----|----|----|----|-----|---|-------|---|----|---|---|-------|----|----|---|----|----|----|----|----|----|----|---|---|---|---|---|---|---|---|---|---|
| | | | T | T4 | ZT | G | G4 | G8 | G9 | D1 | ZD1 | Z | T | G | G3 | P | Z | Q | Q1 | Q2 | P | | | | | | | | | | | | | | | | | |
| 序号 Item | 零件代号 Part No. | 零件名称 Description | 每 台 数 量 Q'ty per set | | | | | | | | | | | | | | | | | | | | | | | | | | | | | | | | | | | |
| 1 | R020001 - A | 气缸套 | Cylinder liner | 4 | 4 | 4 | 4 | 4 | 4 | 4 | 4 | 4 | 4 | 4 | | | | | | | | | | | | | | | | | | | | | | | | |
| (2) | R1020001 - A | 气缸套 | Cylinder liner | | | | | | | | | | | | 4 | 4 | 4 | 4 | 4 | 4 | 4 | 6 | 6 | 6 | 6 | 6 | 6 | 6 | | | | | | | | | | |
| 3 | R020002 | 气缸套第一槽 O 型密封圈 | "O" seal ring, upper | 4 | 4 | 4 | 4 | 4 | 4 | 4 | 4 | 4 | 4 | 4 | | | | | | | | | | | | | | | | | | | | | | | | |
| (4) | R1020002 | 气缸套第一槽 O 型密封圈 | "O" seal ring, upper | | | | | | | | | | | | 4 | 4 | 4 | 4 | 4 | 4 | 4 | 6 | 6 | 6 | 6 | 6 | 6 | 6 | | | | | | | | | | |
| 5 | R020003 | 气缸套第二、三槽 O 型密封圈 | "O" seal ring, 2nd & 3rd grooves | 8 | 8 | 8 | 8 | 8 | 8 | 8 | 8 | 8 | 8 | 8 | | | | | | | | | | | | | | | | | | | | | | | | |
| (6) | R1020003 | 气缸套第二、三槽 O 型密封圈 | "O" seal ring, 2nd & 3rd grooves | | | | | | | | | | | | 8 | 8 | 8 | 8 | 8 | 8 | 8 | 12 | 12 | 12 | 12 | 12 | 12 | 12 | | | | | | | | | | |
| 7 | R020005 | 主轴承上瓦 | Main bearing upper half | 5 | 5 | 5 | 5 | 5 | 5 | 5 | 5 | 5 | 5 | 5 | 5 | 5 | 7 | 7 | 7 | 7 | 7 | 7 | 7 | 7 | 7 | 7 | 7 | 7 | 7 | 7 | 7 | 7 | 7 | 7 | 7 | 7 | 7 | |
| 8 | R020006 | 主轴承下瓦 | Main bearing lower half | 5 | 5 | 5 | 5 | 5 | 5 | 5 | 5 | 5 | 5 | 5 | 5 | 5 | 7 | 7 | 7 | 7 | 7 | 7 | 7 | 7 | 7 | 7 | 7 | 7 | 7 | 7 | 7 | 7 | 7 | 7 | 7 | 7 | 7 | 7 |
| 9 | R020007 | 曲轴止推片 | Thrust ring half | 2 | 2 | 2 | 2 | 2 | 2 | 2 | 2 | 2 | 2 | 2 | 2 | 2 | 2 | 2 | 2 | 2 | 2 | 2 | 2 | 2 | 2 | 2 | 2 | 2 | 2 | 2 | 2 | 2 | 2 | 2 | 2 | 2 | 2 | 2 |
| 10 | 4R020008 | 前端杆室盖 | Front cover | 1 | 1 | 1 | 1 | 1 | 1 | 1 | 1 | 1 | 1 | 1 | 1 | 1 | 1 | 1 | 1 | 1 | 1 | | | | | | | | | | | | | | | | | |
| (11) | 6R020008 | 前端杆室盖 | Front cover | | | | | | | | | | | | | | | | | | | 1 | 1 | 1 | 1 | 1 | 1 | 1 | | | | | | | | | | |

| 柴油机型号 Model | | R4100 | | | | | | | | | | | R4105 | | | | | R6105 | | | | | | | |
|----------------|------------------|---------------------|-------------------------|----------------------|---|----|----|----|----|-----|---|---|-------|---|----|---|---|-------|---|----|----|---|---|---|---|
| | | T | T4 | ZT | G | G4 | G8 | G9 | D1 | ZD1 | | Z | T | G | G3 | P | | Z | Q | Q1 | Q2 | P | | | |
| 序号 Item | 零件代号 Part No. | 零件名称 Description | | 每台数量 Q'ty per set | | | | | | | | | | | | | | | | | | | | | |
| 12 | 4R020009 | 推杆室盖垫片 | Gasket | 1 | 1 | 1 | 1 | 1 | 1 | 1 | 1 | 1 | 1 | 1 | 1 | 1 | 1 | 1 | 1 | | | | | | |
| (13) | 6R020009 | 推杆室盖垫片 | Gasket | | | | | | | | | | | | | | | | | 1 | 1 | 1 | 1 | 1 | 1 |
| 14 | R020011 | 推杆室盖螺柱 | Stud | 4 | 4 | 4 | 4 | 4 | 4 | 4 | 4 | 4 | 4 | 4 | 4 | 4 | 4 | 4 | 4 | 6 | 6 | 6 | 6 | 6 | 6 |
| 15 | R020012 | 主油压溢流阀回油管 | Drain oil tube | 1 | 1 | 1 | 1 | 1 | 1 | 1 | 1 | 1 | 1 | 1 | 1 | 1 | 1 | 1 | 1 | 1 | 1 | 1 | 1 | 1 | 1 |
| 16 | R020015 | 空心定位销 | Hollow dowel pin | 2 | 2 | | | 2 | 2 | 2 | 2 | 2 | 2 | 2 | 2 | 2 | 2 | 2 | 2 | 2 | 2 | 2 | 2 | 2 | 2 |
| (17) | 4RZT020015 | 空心定位销 | Hollow dowel pin | | | 2 | 2 | | | | | | | | | | | | | | | | | | |
| 18 | R020016 | 油管接头 | Adaptor, oil pipe | 1 | 1 | | | | | | | 1 | 1 | 1 | 1 | | | | 1 | 1 | 1 | | | 1 | |
| (19) | R020016 - A - 1 | 油管接头 | Adaptor, oil pipe | | | | | 1 | 1 | 1 | 1 | | | | | | | 1 | 1 | | | | | | |
| (20) | R020016 - B | 油管接头 | Adaptor, oil pipe | | | 1 | | | | | | | | | | | 1 | | | | | | | | |
| (21) | R020016 - D | 油管接头 | Adaptor, oil pipe | | | | | | | | | | | | | | | | | | 1 | 1 | 1 | | |
| (22) | 4RZT020016 | 油管接头 | Adaptor, oil pipe | | | | 1 | | | | | | | | | | | | | | | | | | |
| 23 | R020017 | 接头座垫片 | Gasket | 1 | 1 | 1 | 1 | 1 | 1 | 1 | 1 | 1 | 1 | 1 | 1 | 1 | 1 | 1 | 1 | 1 | 1 | 1 | 1 | 1 | |
| 24 | R020019 | 密封垫圈 | Seal washer | 4 | 4 | 4 | 4 | 4 | 4 | 4 | 4 | 4 | 4 | 4 | 4 | 4 | 4 | 4 | 4 | 6 | 6 | 6 | 6 | 6 | 6 |
| 25 | R020024 - 1 | 凸轮轴孔闷塞 | Plug, camshaft bore | 1 | 1 | 1 | 1 | 1 | 1 | 1 | 1 | 1 | 1 | 1 | 1 | 1 | 1 | 1 | 1 | 1 | 1 | 1 | 1 | 1 | |
| 26 | 6R1Q020027 | 油压报警接头 | Adaptor, pressure alarm | | | | | | | | | | | | | | | | | | | 1 | 1 | 1 | |

| 柴 油 机 型 号 Model | | R4100 | | | | | | | | | | R4105 | | | | | R6105 | | | | | | | | | | |
|--------------------|------------------|------------------------|--------------------------|-------------------------|----|----|----|----|----|-----|----|-------|----|----|----|----|-------|----|----|----|----|----|----|----|----|----|----|
| | | T | T4 | ZT | G | G4 | G8 | G9 | D1 | ZD1 | | Z | T | G | G3 | P | Z | Q | Q1 | Q2 | P | | | | | | |
| 序号 Item | 零件代号 Part No. | 零 件 名 称 Description | | 每 台 数 量 Q'ty per set | | | | | | | | | | | | | | | | | | | | | | | |
| 27 | 4RZT020031 | 机体后端联接螺栓 | Bolt | | | 2 | 2 | | | | | | | | | | | | | | | | | | | | |
| 28 | 4R020101 - 1 | 机 体 | Cylinder blocle | 1 | 1 | | | 1 | 1 | 1 | 1 | 1 | | | | | | | | | | | | | | | |
| (29) | 4RZ020101 - 1 | 机 体 | Cylinder blocle | | | | | | | | | | | | | | | | | | 1 | | | | | | |
| (30) | 4R1020101 - 1 | 机 体 | Cylinder blocle | | | | | | | | | | | | | | | | | | 1 | | | 1 | | | |
| (31) | 4R1Z020101 - 1 | 机 体 | Cylinder blocle | | | | | | | | | | | | | | | | | | 1 | | | | | | |
| (32) | 4RT4020101 - 1 | 机 体 | Cylinder blocle | | | 1 | | | | | | | | | | | | | | | | | | | | | |
| (33) | 4RZT020101 - 1 | 机 体 | Cylinder blocle | | | | 1 | | | | | | | | | | | | | | | | | | | | |
| (34) | 4R1T020101 - 1 | 机 体 | Cylinder blocle | | | | | | | | | | | | | | | | | | 1 | | | | | | |
| (35) | 4R1G020101 - 1 | 机 体 | Cylinder blocle | | | | | | | | | | | | | | | | | | 1 | | | | | | |
| (36) | 6R1020101 - 1 | 机 体 | Cylinder blocle | | | | | | | | | | | | | | | | | | | | | | | | |
| (37) | 6R1Z020101 - 1 | 机 体 | Cylinder blocle | | | | | | | | | | | | | | | | | | | | | | | | |
| (38) | 6R1Q020101 - 1 | 机 体 | Cylinder blocle | | | | | | | | | | | | | | | | | | | | | | | | |
| (39) | 6R1Q1020101 - 1 | 机 体 | Cylinder blocle | | | | | | | | | | | | | | | | | | | | | | | | |
| 40 | R020102 | 主轴承盖 | Cap,main bearing | 3 | 3 | 3 | 3 | 3 | 3 | 3 | 3 | 3 | 3 | 3 | 3 | 3 | 3 | 3 | 3 | 3 | 5 | 5 | 5 | 5 | 5 | 5 | 5 |
| 41 | R020103 | 宽主轴承盖 | Cap,wide main bearing | 1 | 1 | 1 | 1 | 1 | 1 | 1 | 1 | 1 | 1 | 1 | 1 | 1 | 1 | 1 | 1 | 1 | 1 | 1 | 1 | 1 | 1 | 1 | 1 |
| 42 | R020104 | 主轴承盖螺栓 | Bolt,main bearing cap | 10 | 10 | 10 | 10 | 10 | 10 | 10 | 10 | 10 | 10 | 10 | 10 | 10 | 10 | 10 | 10 | 10 | 14 | 14 | 14 | 14 | 14 | 14 | 14 |
| 43 | R020105 | 主轴承盖螺栓垫圈 | Washer main, bearing cap | 10 | 10 | 10 | 10 | 10 | 10 | 10 | 10 | 10 | 10 | 10 | 10 | 10 | 10 | 10 | 10 | 10 | 14 | 14 | 14 | 14 | 14 | 14 | 14 |

| 柴油机型号 Model | | R4100 | | | | | | | | | | R4105 | | | | | R6105 | | | | | | | | | | | |
|----------------|------------------|------------------------------|---|----------------------|---|----|----|----|----|-----|---|-------|---|---|----|---|-------|---|---|----|----|---|---|---|---|---|---|---|
| | | T | T4 | ZT | G | G4 | G8 | G9 | D1 | ZD1 | | Z | T | G | G3 | P | | Z | Q | Q1 | Q2 | P | | | | | | |
| 序号 Item | 零件代号 Part No. | 零件名称 Description | | 每台数量 Q'ty per set | | | | | | | | | | | | | | | | | | | | | | | | |
| 44 | R020106 | 凸轮轴前轴承 | Front bearing, camshaft | 1 | 1 | 1 | 1 | 1 | 1 | 1 | 1 | 1 | 1 | 1 | 1 | 1 | 1 | 1 | 1 | 1 | 1 | 1 | 1 | 1 | 1 | 1 | 1 | 1 |
| 45 | R020107 | 凸轮轴轴承 | Camshaft bearing | 4 | 4 | 4 | 4 | 4 | 4 | 4 | 4 | 4 | 4 | 4 | 4 | 4 | 4 | 4 | 4 | 6 | 6 | 6 | 6 | 6 | 6 | 6 | 6 | 6 |
| 46 | R020108 | 碗形塞 | Core plug | 1 | 1 | 1 | 1 | 1 | 1 | 1 | 1 | 1 | 1 | 1 | 1 | 1 | 1 | 1 | 1 | 2 | 2 | 2 | 2 | 2 | 2 | 2 | 2 | 2 |
| 47 | R020111 | 主轴承盖(飞轮端专用) | Cap, main bearing (for flywheel end only) | 1 | 1 | 1 | 1 | 1 | 1 | 1 | 1 | 1 | 1 | 1 | 1 | 1 | 1 | 1 | 1 | 1 | 1 | 1 | 1 | 1 | 1 | 1 | 1 | 1 |
| 48 | R010209 | 方槽锥形螺塞 ZG $\frac{3}{8}$ " | Conic plug ZG $\frac{3}{8}$ " | 2 | 2 | 2 | 4 | 2 | 2 | 2 | 2 | 2 | 4 | 2 | 4 | 2 | 2 | 2 | 2 | 2 | 4 | 2 | 2 | 2 | 2 | 2 | 2 | 2 |
| 49 | 195-01105 | 闷塞 | plug | 4 | 4 | 4 | 4 | 4 | 4 | 4 | 4 | 4 | 4 | 4 | 4 | 4 | 4 | 4 | 4 | 6 | 6 | 5 | 5 | 5 | 5 | 6 | 6 | 6 |
| 50 | R020201-1 | 供水接头座 | Bracket, supply water | 1 | 1 | | 1 | 1 | 1 | | | 1 | 1 | 1 | 1 | | 1 | 1 | 1 | 1 | 1 | | | | | | | 1 |
| (51) | 4R1T020201 | 供水接头座 | Bracket, supply water | | | 1 | | | 1 | 1 | | | | | 1 | | | | | | | | | 1 | 1 | 1 | | |
| 52 | R020202-1 | 供水接头 | Adapter, supply water | 1 | 1 | | 1 | 1 | 1 | | | 1 | 1 | 1 | 1 | | 1 | 1 | 1 | 1 | 1 | | | | | | | 1 |
| 53 | R020300 | 放水阀部件 | Drain cock subassembly | 1 | 1 | 1 | 1 | 1 | 1 | 1 | 1 | 1 | 1 | 1 | 1 | 1 | 1 | 1 | 1 | 1 | 1 | 1 | 1 | | | | 1 | 1 |
| 54 | 6R1Q1020301 | 放水阀接管 | Tube, drain cock | | | | | | | | | | | | | | | | | | | | | | | | 1 | |
| 55 | 6R1Q1020302 | 放水阀手柄 | Handle, drain cock | | | | | | | | | | | | | | | | | | | | | | | | 1 | |
| 56 | 6R1Q1020303 | 手柄支架 | Handle support | | | | | | | | | | | | | | | | | | | | | | | | 1 | |

| 柴油机型号 Model | | R4100 | | | | | | | | | | R4105 | | | | | R6105 | | | | | | | | | | | | | | | | | |
|----------------|------------------|---------------------|------------------------|----------------------|----|----|----|----|----|-----|----|-------|----|----|----|----|-------|---|----|----|---|---|---|----|----|----|----|----|----|----|----|----|---|---|
| | | T | T4 | ZT | G | G4 | G8 | G9 | DI | ZDI | | Z | T | G | G3 | P | Z | Q | Q1 | Q2 | P | | | | | | | | | | | | | |
| 序号 Item | 零件代号 Part No. | 零件名称 Description | | 每台数量 Q'ty per set | | | | | | | | | | | | | | | | | | | | | | | | | | | | | | |
| (71) | 4RT070004 | 油底壳垫片 | Gasket,oil sump | | 1 | 1 | 1 | | | | | | | | | | | | | | 1 | | | | | | | | | | | | | |
| (72) | 6R070004 | 油底壳垫片 | Gasket,oil sump | | | | | | | | | | | | | | | | | | | | | | | | | | 1 | 1 | 1 | 1 | 1 | 1 |
| 73 | R070008 | 油尺套管 | Tube for dipstick | 1 | 1 | | | | 1 | 1 | 1 | 1 | 1 | 1 | 1 | 1 | 1 | 1 | 1 | 1 | 1 | 1 | 1 | 1 | 1 | 1 | 1 | 1 | 1 | 1 | 1 | 1 | | |
| 74 | R070009 | 套管接头 | Nipple | 2 | 2 | | | | 2 | 2 | 2 | 2 | 2 | 2 | 2 | 2 | 2 | 2 | 2 | 2 | 2 | 2 | 2 | 2 | 2 | 2 | 2 | 2 | 2 | 2 | 2 | 2 | | |
| 75 | R070011 | 接头螺母 | Nipple nut | 2 | 2 | | | | 2 | 2 | 2 | 2 | 2 | 2 | 2 | 2 | 2 | 2 | 2 | 2 | 2 | 2 | 2 | 2 | 2 | 2 | 2 | 2 | 2 | 2 | 2 | 2 | | |
| 76 | R070012 | 油尺套管支撑板 | Support plate | 1 | 1 | | | | 1 | 1 | 1 | 1 | 1 | 1 | 1 | 1 | | | | | | | 1 | 1 | 1 | 1 | 1 | 1 | 1 | 1 | 1 | 1 | | |
| (77) | 4RT070012 | 油尺套管支撑板 | Support plate | | | | | | | | | | | | | | | | | | | | 1 | | | | | | | | | | | |
| 78 | R070013 | 橡胶圈 | Rubber ring | 2 | 2 | | | | 2 | 2 | 2 | 2 | 2 | 2 | 2 | 2 | 2 | 2 | 2 | 2 | 2 | 2 | 2 | 2 | 2 | 2 | 2 | 2 | 2 | 2 | 2 | 2 | | |
| 79 | R070014 -1 | 分油器回油管 | Oil drain pipe | 1 | 1 | 1 | 1 | | 1 | 1 | | | 1 | 1 | 1 | 1 | 1 | | | | | | 1 | 1 | 1 | 1 | 1 | 1 | 1 | 1 | 1 | 1 | | |
| (80) | 4RG3070014 -1 | 分油器回油管 | Oil drain pipe | | | | | | | | | | | | | | | | | | | | | | | | | | | | | | | |
| (81) | 4RG8070014 | 分油器回油管 | Oil drain pipe | | | | | | | | 1 | 1 | | | | | | | | | | | | | | | | | | | | | | |
| 82 | R070015 | 回油管支撑板 | Support plate | 1 | 1 | 1 | 1 | | 1 | 1 | 1 | 1 | 1 | 1 | 1 | 1 | 1 | 1 | 1 | 1 | 1 | 1 | 1 | 1 | 1 | 1 | 1 | 1 | 1 | 1 | 1 | 1 | | |
| 83 | R070016 | 油底紧固螺栓 | Locking screw,oil sump | 27 | | | | | 20 | 20 | 20 | 20 | 27 | 27 | 27 | 27 | | | | | | | | 20 | 20 | 27 | 35 | 35 | 35 | 35 | 35 | 28 | | |
| 84 | R070017 | 油底紧固螺栓 | Locking screw,oil sump | | 23 | 23 | 23 | | 7 | 7 | 7 | 7 | | | | | | | | | | | | 23 | 7 | 7 | | | | | | 7 | | |
| 85 | 4R070101 -1 -A | 油底壳 | Oil sump | 1 | | | | | 1 | 1 | | | 1 | 1 | 1 | 1 | | | | | | | 1 | | 1 | | | | | | | | | |

| 柴油机型号 Model | | R4100 | | | | | | | | | | R4105 | | | | | R6105 | | | | | | | | | | | | | | | | | | | |
|----------------|------------------|---------------------|-------------------------------|----------------------|---|----|----|----|----|-----|---|-------|---|---|----|---|-------|---|---|----|----|---|---|---|---|---|---|---|---|---|---|---|---|---|---|---|
| | | T | T4 | ZT | G | G4 | G8 | G9 | D1 | ZD1 | | Z | T | G | G3 | P | | Z | Q | Q1 | Q2 | P | | | | | | | | | | | | | | |
| 序号 Item | 零件代号 Part No. | 零件名称 Description | | 每台数量 Q'ty per set | | | | | | | | | | | | | | | | | | | | | | | | | | | | | | | | |
| 104 | 6RQ080001 | 正时齿轮室 | Timing gear case | | | | | | | | | | | | | | | | | | | 1 | | | | | | | | | 1 | 1 | 1 | | | |
| 105 | R080002 | 齿轮室垫片 | Gasket, gear case | 1 | | | | 1 | 1 | 1 | 1 | 1 | 1 | 1 | 1 | 1 | 1 | 1 | 1 | 1 | 1 | 1 | 1 | 1 | 1 | 1 | 1 | 1 | 1 | 1 | 1 | 1 | 1 | 1 | | |
| 106 | RT080002 | 齿轮室垫片 | Gasket, gear case | | 1 | 1 | 1 | | | | | | | | | | | | | | | 1 | | | | | | | | | | | | | | |
| 107 | R080003 | 齿轮室盖垫片 | Gasket, gear case cover | 1 | | | | 1 | 1 | 1 | 1 | 1 | 1 | 1 | 1 | | | | | | | | | | 1 | 1 | 1 | 1 | | | | | | 1 | | |
| 108 | RT080003 | 齿轮室盖垫片 | Gasket, gear case cover | | 1 | 1 | | | | | | | | | | | | | | | | | 1 | | | | | | | | | | | | | |
| (109) | 4RZT080003 | 齿轮室盖垫片 | Gasket, gear case cover | | | | | 1 | | | | | | | | | | | | | | | | | | | | | | | | | | | | |
| 110 | 6RQ080003 | 齿轮室盖垫片 | Gasket, gear case cover | | | | | | | | | | | | | | | | | | | | | 1 | | | | | | | | 1 | 1 | 1 | | |
| 111 | R080004 | 喷油泵检查孔盖 | Cover, pump inspection | 1 | 1 | 1 | 1 | 1 | 1 | 1 | 1 | 1 | 1 | 1 | 1 | 1 | 1 | 1 | 1 | 1 | 1 | 1 | 1 | 1 | 1 | 1 | 1 | 1 | 1 | 1 | 1 | 1 | 1 | 1 | | |
| 112 | R080005 | 喷油泵检查孔盖垫片 | Gasket, pump inspecting cover | 1 | 1 | 1 | 1 | 1 | 1 | 1 | 1 | 1 | 1 | 1 | 1 | 1 | 1 | 1 | 1 | 1 | 1 | 1 | 1 | 1 | 1 | 1 | 1 | 1 | 1 | 1 | 1 | 1 | 1 | 1 | 1 | |
| 113 | R080006 - A | 曲轴前油封 | Front oil seal, crank shaft | 1 | 1 | 1 | 1 | 1 | 1 | 1 | 1 | 1 | 1 | 1 | 1 | 1 | 1 | 1 | 1 | 1 | 1 | 1 | 1 | 1 | 1 | 1 | 1 | 1 | 1 | 1 | 1 | 1 | 1 | 1 | | |
| 114 | 4RC4080021 | 空压机盖板 | Cover, air compressor | | | | | 1 | 1 | 1 | | | | | | | | | | | | | | | | | | | | | | | | | | |
| 115 | R080101 | 正时齿轮室盖 | Cover, timing gear case | 1 | | | | | | | | 1 | 1 | 1 | 1 | | | | | | | | | | | | 1 | 1 | 1 | | | | | 1 | | |
| (116) | 4RC080101 | 正时齿轮室盖 | Cover, timing gear case | | | | | 1 | | | | | | | | | | | | | | | | | | 1 | | | | | | | | | | |
| 117 | 4RC4080101 | 正时齿轮室盖 | Cover, timing gear case | | 1 | | | | 1 | 1 | 1 | | | | | | | | | | | | | | | | | | | | | | | | | |
| 118 | 6RQ080101 | 正时齿轮室盖 | Cover, timing gear case | | | | | | | | | | | | | | | | | | | | | | | | | 1 | | | | | | | 1 | 1 |
| (119) | 6R1Q1080101 | 正时齿轮室盖 | Cover, timing gear case | | | | | | | | | | | | | | | | | | | | | | | | | | | | | | | | 1 | |

| 柴油机型号 Model | | | R4100 | | | | | | | | R4105 | | | | | R6105 | | | | | | | | | | |
|----------------|------------------|---------------------|---|----|----|---|----|----|----|----|-------|---|---|---|----|-------|---|---|----|----|---|---|--|---|---|---|
| | | | T | T4 | ZT | G | G4 | G8 | G9 | D1 | ZD1 | Z | T | G | G3 | P | Z | Q | Q1 | Q2 | P | | | | | |
| 序号 Item | 零件代号 Part No. | 零件名称 Description | 每台数量 Q'ty per set | | | | | | | | | | | | | | | | | | | | | | | |
| (120) | 4R1T080101 | 正时齿轮室盖 | Cover,timing gear case | | 1 | | | | | | | | | | | | 1 | | | | | | | | | |
| (121) | 4RZT080101 | 正时齿轮室盖 | Cover,timing gear case | | | 1 | | | | | | | | | | | | | | | | | | | | |
| 122 | R080150 - A | 加油口焊接分部件 | Welding subassembly, oil fillerler sub assembly | 1 | | 1 | 1 | | | | 1 | 1 | 1 | 1 | 1 | | | | 1 | 1 | 1 | | | | | 1 |
| 123 | R080160 - A | 加油口滤网分部件 | Screen subassembly, oil filler | 1 | | 1 | 1 | | | | 1 | 1 | 1 | 1 | 1 | | | | 1 | 1 | 1 | | | | | 1 |
| 124 | R080200 - A | 加油口盖部件 | Cap subassembly, oil filler | 1 | | 1 | 1 | | | | 1 | 1 | 1 | 1 | 1 | | | | 1 | 1 | 1 | | | | | 1 |
| 125 | RT060028 | 盖 板 | Cover | | 1 | 1 | | | 1 | 1 | 1 | | | | | | | | | 1 | | | | | | |
| 126 | RT060029 | 液压泵垫片 | Gasket,hydraulic pump | | 1 | 1 | | | 1 | 1 | 1 | | | | | | | | | 1 | | | | | | |
| 127 | 4RT710001 | 空压机垫片 | Gasket,air ccompressor | | | | | | 1 | 1 | 1 | | | | | | | | | | | | | | | |
| 128 | 6RZQ740003 | 前指针 | Front pointer | | | | | | | | | | | | | | | | | | | | | 1 | 1 | |
| 129 | 495 - 01411(6) | 放油螺塞 | Drain plug | | 1 | 1 | 1 | | | | | | | | | | | | | | 1 | | | | | |
| 130 | 495 - 01403 | 垫 圈 | Washer | | 1 | 1 | 1 | | | | | | | | | | | | | | 1 | | | | | |
| 131 | R090001 | 飞轮壳 | Flywheel housing | 1 | | | | | 1 | 1 | 1 | | 1 | 1 | 1 | 1 | | | 1 | 1 | 1 | 1 | | | | 1 |
| 132 | 4RZT090001 | 飞轮壳 | Flywheel housing | | | 1 | 1 | | | | | | | | | | | | | | | | | | | |

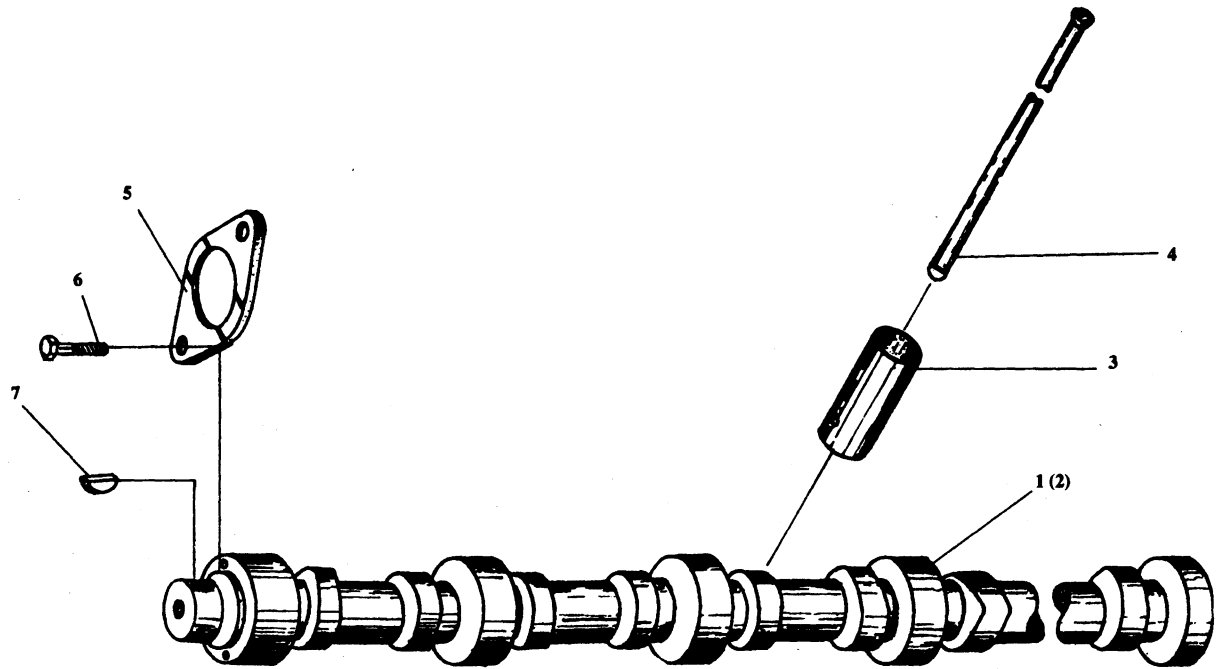
| 柴油机型号 Model | | | | R4100 | | | | | | | | | R4105 | | | | | R6105 | | | | | | | |
|----------------|------------------|---------------------|--------------------------|----------------------|----|----|---|----|----|----|----|-----|-------|---|---|----|---|-------|---|----|----|---|---|---|---|
| | | | | T | T4 | ZT | G | G4 | G8 | G9 | D1 | ZD1 | Z | T | G | G3 | P | Z | Q | Q1 | Q2 | P | | | |
| | | | | 每台数量 Q'ty per set | | | | | | | | | | | | | | | | | | | | | |
| 序号 Item | 零件代号 Part No. | 零件名称 Description | | | | | | | | | | | | | | | | | | | | | | | |
| (133) | 4RC9090001 | 飞轮壳 | Flywheel housing | | | | | | | 1 | | | | | | | | | | | | | | | |
| (134) | 4RD090001 | 飞轮壳 | Flywheel housing | | | | | | | | | | | | | | | | | | | | | | |
| 135 | 4R1T090001 | 飞轮壳 | Flywheel housing | | | | | | | | | | | | | | 1 | | | | | | | | |
| 136 | 6R1Q2090001 | 飞轮壳 | Flywheel housing | | | | | | | | | | | | | | | | | | | 1 | | | |
| 137 | R090002 | 飞轮壳垫片 | Gasket, flywheel housing | 1 | | | | 1 | 1 | 1 | 1 | 1 | 1 | 1 | 1 | | | 1 | 1 | 1 | 1 | | 1 | 1 | |
| 138 | R090003 | 检视窗盖 | Cover, inspection window | 1 | | | | 1 | 1 | 1 | 1 | 1 | 1 | 1 | 1 | | | 1 | 1 | 1 | 1 | | | 1 | |
| (139) | 4RZT090003 | 检视窗盖 | Cover, inspection window | | | | | 1 | 1 | | | | | | | | | | | | | | | | |
| (140) | 4RD090003 | 检视窗盖 | Cover, inspection window | | | | | | | | | | | | | | | | | | | | | | |
| 141 | 4R1T090003 | 检察孔堵塞 | Plug, inspection window | | | | | | | | | | | | | | | 1 | | | | | | | |
| 142 | R090004 | 指针 | Pointer | 1 | | | | 1 | 1 | 1 | 1 | 1 | 1 | 1 | 1 | | | 1 | 1 | 1 | 1 | | | 1 | |
| 143 | R090005 | 盖板 | Cover | 1 | | | | 1 | 1 | 1 | | 1 | 1 | 1 | 1 | | | 1 | 1 | 1 | 1 | | | 1 | |
| (144) | R090005 - A | 盖板 | Cover | | | | | | | 1 | | | | | | | | | | | | | | | |
| 145 | R090006 - A | 曲轴后油封 | Rear oil seal | 1 | 1 | 1 | 1 | 1 | 1 | 1 | 1 | 1 | 1 | 1 | 1 | 1 | 1 | 1 | 1 | 1 | 1 | 1 | 1 | 1 | |
| 146 | R090007 - 1 | 堵塞 | plug | 1 | 1 | 1 | 1 | 1 | 1 | 1 | 1 | 1 | 1 | 1 | 1 | | | 1 | 1 | 1 | 1 | | | 1 | 1 |

| 柴油机型号 Model | | | R4100 | | | | | | | | | R4105 | | | | | R6105 | | | | | | | | | | | | | |
|----------------|------------------|---------------------|------------------------------|----|----|----|----|----|----|----|-----|-------|----|----|----|----|-------|----|----|----|----|----|----|----|----|----|----|---|---|---|
| | | | T | T4 | ZT | G | G4 | G8 | G9 | D1 | ZD1 | Z | T | G | G3 | P | Z | Q | Q1 | Q2 | P | | | | | | | | | |
| 序号 Item | 零件代号 Part No. | 零件名称 Description | 每 台 数 量 Q'ty per set | | | | | | | | | | | | | | | | | | | | | | | | | | | |
| 147 | RT090021 | 后油封壳体 | Rear oil seal housing | 1 | | | | | | | | | | | | | | | | | | | | | | | | | | |
| 148 | 4RZT090021 | 后油封板 | Plate, rear oil seal | | 1 | 1 | | | | | | | | | | | | | | | | | | | | | | | | |
| 149 | 6RQ090021 | 后油封盖 | Cover, rear oil seal | | | | | | | | | | | | | | | | 1 | | | | | | | 1 | 1 | | | |
| 150 | 6RQ090022 | 后油封盖垫片 | Gasket, rear oil seal | | | | | | | | | | | | | | | | 1 | | | | | | | 1 | 1 | | | |
| 151 | M6 × 10 GB5783 | 全螺纹六角头螺栓 | Hex fully threaded head bolt | | 1 | 2 | | | | | | | | | | | | | | | | | | | | | | | | |
| 152 | M6 × 12 GB5783 | 全螺纹六角头螺栓 | Hex fully threaded head bolt | 1 | | | | 1 | 1 | 1 | 1 | 2 | 2 | 1 | 1 | | | | 7 | 7 | 7 | 1 | | | | | | | 7 | |
| 153 | M8 × 12 GB5783 | 全螺纹六角头螺栓 | Hex fully threaded head bolt | | | | | | | | | | | | | | | | | | | | | | | | 2 | 2 | | |
| 154 | M8 × 20 GB5783 | 全螺纹六角头螺栓 | Hex fully threaded head bolt | | 4 | 4 | | | 4 | 4 | 4 | | | | | | | | 4 | | | | | | | | | | | |
| 155 | M8 × 25 GB5783 | 全螺纹六角头螺栓 | Hex fully threaded head bolt | | | | | | | | | | | | | | | | 7 | | | | | | | | 7 | 7 | | |
| 156 | M10 × 25 GB5783 | 全螺纹六角头螺栓 | Hex fully threaded head bolt | 4 | 4 | 4 | 4 | 4 | 4 | 4 | 4 | 4 | 4 | 4 | 4 | 4 | 4 | 4 | 4 | 4 | 4 | 4 | 4 | 4 | 4 | 4 | 4 | 4 | 4 | 4 |
| 157 | M10 × 30 GB5783 | 全螺纹六角头螺栓 | Hex fully threaded head bolt | 26 | 27 | 27 | 29 | 26 | 31 | 31 | 31 | 26 | 26 | 26 | 26 | 27 | 22 | 26 | 26 | 26 | 26 | 26 | 22 | 22 | 22 | 29 | 26 | | | |
| 158 | M14 × 35 GB5783 | 全螺纹六角头螺栓 | Hex fully threaded head bolt | 2 | | | | 2 | 2 | 2 | 2 | 2 | 2 | 2 | 2 | 2 | 2 | 2 | 2 | 2 | 2 | 2 | 2 | 2 | 2 | 2 | 2 | 2 | 2 | |

| 柴 油 机 型 号 Model | | | | R4100 | | | | | | | R4105 | | | | | R6105 | | | | | | | | | | |
|--------------------|-----------------------|---------------------|------------------------|-------------------------|----|----|----|----|----|----|-------|-----|----|----|----|-------|----|----|----|----|----|---|----|----|----|----|
| | | | | T | T4 | ZT | G | G4 | G8 | G9 | D1 | ZD1 | Z | T | G | G3 | P | Z | Q | Q1 | Q2 | P | | | | |
| 序号 Item | 零件代号 Part No. | 零件名称 Description | | 每 台 数 量 Q'ty per set | | | | | | | | | | | | | | | | | | | | | | |
| 159 | M10 ×40 GB5783 | 六角头螺栓 | Hex head bolt | | 4 | 4 | | | | | | | | | | | | | | | | | | | | |
| 160 | M10 ×45 GB5783 | 六角头螺栓 | Hex head bolt | 1 | 3 | 3 | | 1 | 3 | 3 | 3 | 1 | 1 | 1 | 1 | 3 | | 1 | 1 | 1 | 1 | | 1 | 1 | 1 | 1 |
| 161 | M10 ×60 GB5783 | 六角头螺栓 | Hex head bolt | 1 | 1 | 1 | 1 | 1 | 1 | 1 | 1 | 1 | 1 | 1 | 1 | 1 | 1 | 1 | 1 | 1 | 1 | 1 | 1 | 1 | 1 | 1 |
| 162 | M10 ×70 GB5783 | 六角头螺栓 | Hex head bolt | 10 | 9 | 9 | 10 | 10 | 9 | 9 | 9 | 10 | 10 | 10 | 10 | 9 | 9 | 10 | 10 | 10 | 10 | 9 | 10 | 10 | 10 | 10 |
| 163 | M10 ×75 GB5783 | 六角头螺栓 | Hex head bolt | | | | | | 1 | 1 | 1 | | | | 2 | | | | | | | 2 | | | | |
| 164 | M10 ×90 GB5783 | 六角头螺栓 | Hex head bolt | | 2 | 2 | | | 2 | 2 | 2 | | | | 2 | | | | | | | | | | | |
| 165 | M14 ×50 GB5783 | 六角头螺栓 | Hex head bolt | | | | | | | | | | | | 6 | | | | | | | | | 2 | | |
| 166 | M14 ×55 GB5783 | 六角头螺栓 | Hex head bolt | | | | | | | | | | | | 2 | | | | | | | | | | | |
| 167 | M16 ×60 GB5783 | 六角头螺栓 | Hex head bolt | | | | | | | | | | | | | | | 2 | 2 | 2 | 2 | 2 | 2 | 2 | 2 | 2 |
| 168 | M16 ×80 GB5783 | 六角头螺栓 | Hex head bolt | 2 | | | | 2 | 2 | 2 | 2 | 2 | 2 | 2 | 2 | 2 | 2 | 2 | 2 | 2 | | | | | | |
| 169 | M16 ×90 GB5783 | 六角头螺栓 | Hex head bolt | | | 2 | 2 | | | | | | | | 2 | | | | | | | | | | | |
| 170 | M6 ×10 GB67 - ZnD | 开槽盘头螺栓 | Slotted pan head screw | | | 1 | 1 | | | | | | | | | | | | | | | | | | | |
| 171 | M6 ×12 GB67 - ZnD | 开槽盘头螺栓 | Slotted pan head screw | 1 | | | | 1 | 1 | 1 | 1 | 2 | 2 | 1 | 1 | | 7 | 7 | 7 | 1 | | | | | 7 | |
| 172 | M8 ×25 GB898 | 双头螺柱 | Stud | 5 | 5 | 5 | 5 | 5 | 5 | 5 | 5 | 5 | 5 | 5 | 5 | 5 | 5 | 5 | 5 | 5 | 5 | 5 | 5 | 5 | 5 | 5 |
| 173 | M8 GB889 - ZnD | 六角锁紧螺母 | Hex nut | 2 | 2 | 2 | 2 | 2 | 2 | 2 | 2 | 2 | 2 | 2 | 2 | 2 | 2 | 2 | 2 | 2 | 2 | 2 | 2 | 2 | 2 | 2 |
| 174 | M10 GB889 - H · Y | 六角锁紧螺母 | Hex nut | 4 | 4 | 4 | 4 | 4 | 4 | 4 | 4 | 4 | 4 | 4 | 4 | 4 | 4 | 4 | 4 | 4 | 6 | 6 | 6 | 6 | 6 | 6 |
| 175 | 6 GB848 - 140HV - ZnD | 小垫圈 | Small washer | 5 | | | | 5 | 5 | 5 | 5 | 5 | 5 | 5 | 5 | | 5 | 5 | 5 | 5 | | | | | 5 | |
| 176 | 8 GB848 - 140HV - ZnD | 小垫圈 | Small washer | 5 | 9 | 9 | 5 | 5 | 9 | 9 | 9 | 5 | 5 | 5 | 5 | 9 | 12 | 5 | 5 | 5 | 5 | 5 | 12 | 12 | 5 | 5 |

| 柴油机型号 Model | | R4100 | | | | | | | | | | R4105 | | | | | R6105 | | | | | | | | |
|----------------|------------------------|---------------------|---------------|----------------------|----|----|----|----|----|-----|----|-------|----|----|----|----|-------|----|----|----|----|----|----|----|----|
| | | T | T4 | ZT | G | G4 | G8 | G9 | D1 | ZD1 | | Z | T | G | G3 | P | | Z | Q | Q1 | Q2 | P | | | |
| 序号 Item | 零件代号 Part No. | 零件名称 Description | | 每台数量 Q'ty per set | | | | | | | | | | | | | | | | | | | | | |
| 177 | 10 GB848 - 140HV - ZnD | 小垫圈 | Small washer | 69 | 69 | 69 | 71 | 69 | 78 | 78 | 78 | 69 | 69 | 69 | 69 | 69 | 65 | 69 | 69 | 77 | 77 | 73 | 72 | 79 | 77 |
| 178 | 14 GB848 - 140HV - ZnD | 小垫圈 | Small washer | 2 | | | | 5 | 2 | 2 | 2 | 2 | 2 | 2 | 2 | 2 | 8 | | 2 | 2 | 2 | | | 4 | 2 |
| 179 | 16 GB848 - 140HV - ZnD | 小垫圈 | Small washer | 2 | | 4 | 4 | 2 | 2 | 2 | 2 | 2 | 2 | 2 | 2 | 2 | 2 | 2 | 2 | 2 | 2 | 2 | 2 | 2 | 2 |
| 180 | A8 × 16 GB119 | 圆柱销 | Dowel pin | 2 | 2 | 2 | 2 | 2 | 2 | 2 | 2 | 2 | 2 | 2 | 2 | 2 | 2 | 2 | 2 | 2 | 2 | 2 | 2 | 2 | 2 |
| 181 | A8 × 20 GB119 | 圆柱销 | Dowel pin | | | | | | | | | | | | | 2 | | | | | 2 | 2 | | | |
| 182 | A10 × 20 GB119 | 圆柱销 | Dowel pin | 1 | 1 | 1 | 1 | 1 | 1 | 1 | 1 | 1 | 1 | 1 | 1 | 1 | 1 | 1 | 1 | 1 | 1 | 1 | 1 | 1 | 1 |
| 183 | A12 × 20 GB119 | 圆柱销 | Dowel pin | 2 | 2 | 2 | 2 | 2 | 2 | 2 | 2 | 2 | 2 | 2 | 2 | 2 | 2 | 2 | 2 | 2 | 2 | 2 | 2 | 2 | 2 |
| 184 | A12 × 25 GB119 | 圆柱销 | Dowel pin | 1 | 1 | 1 | 1 | 1 | 1 | 1 | 1 | 1 | 1 | 1 | 1 | 1 | 1 | 1 | 1 | 1 | 1 | 1 | 1 | 1 | 1 |
| 185 | A16 × 30 GB119 | 圆柱销 | Dowel pin | | 2 | 2 | 2 | | | | | | | | | 2 | | | | | | | | | |
| 186 | 3 × 20 GB91 - ZnD | 开口销 | Split pin | | | | | | | | | | | | | | | | | | | | 1 | | |
| 187 | 14 GB308 | 钢球 | Steel ball | 1 | 1 | 1 | 1 | 1 | 1 | 1 | 1 | 1 | 1 | 1 | 1 | 1 | 1 | 1 | 1 | 1 | 1 | 1 | 1 | 1 | |
| 188 | 13 × 1.9 GB1235 - 76 | “O”型橡胶密封圈 | “O” seal ring | 1 | 1 | 1 | 1 | 1 | 1 | 1 | 1 | 1 | 1 | 1 | 1 | 1 | 1 | 1 | 1 | 1 | 1 | 1 | 1 | 1 | |
| 189 | 14 × 2.4 GB1235 - 76 | “O”型橡胶密封圈 | “O” seal ring | 2 | 2 | | | 2 | 2 | 2 | 2 | 2 | 2 | 2 | 2 | 2 | 2 | 2 | 2 | 2 | 2 | 2 | 2 | 2 | |
| 190 | 240 × 5.7 GB1235 - 76 | “O”型橡胶密封圈 | “O” seal ring | | 1 | 1 | 1 | | | | | | | | | 1 | | | | | | | | | |

凸轮轴总成

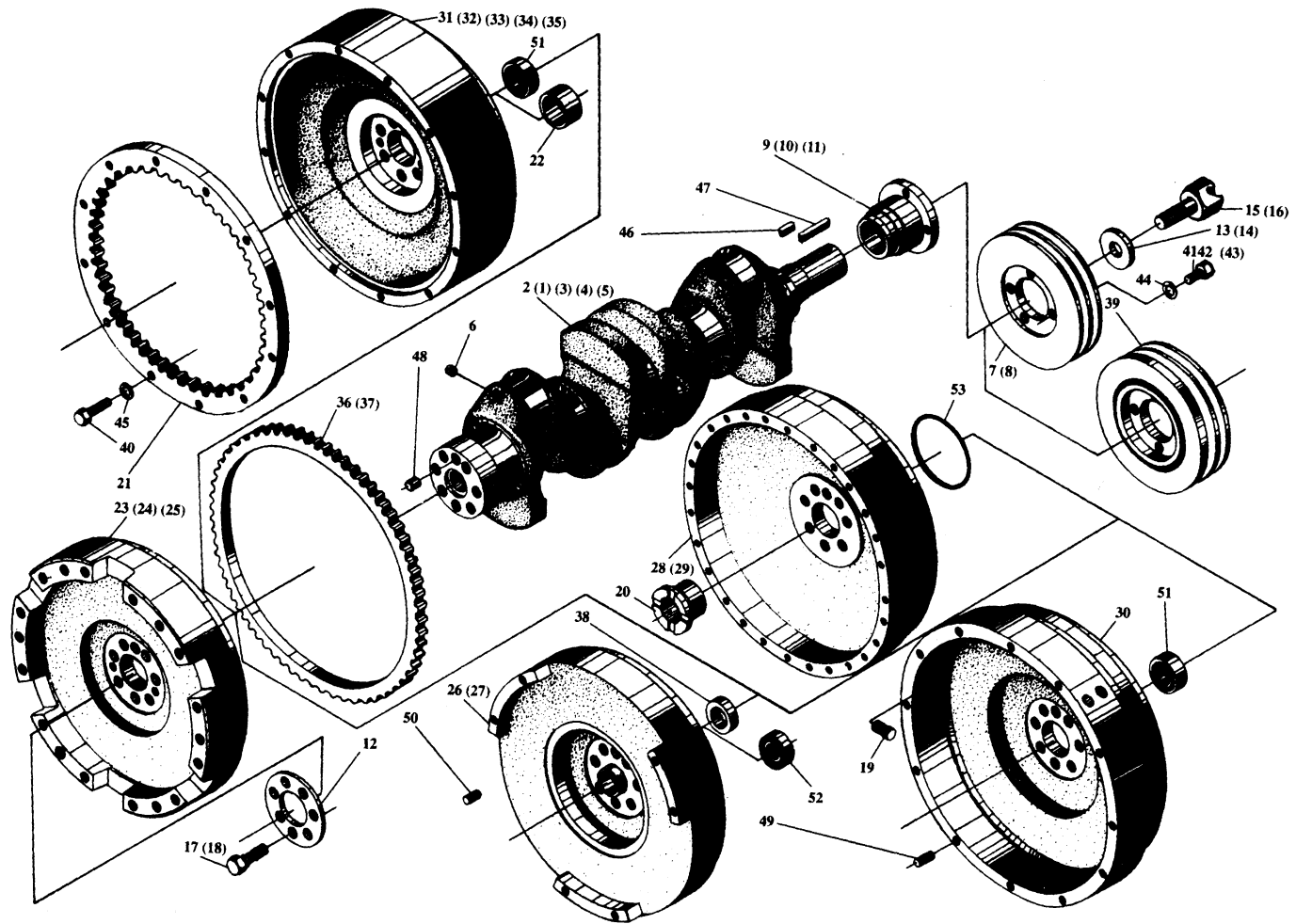


3. 凸轮轴总成

CAMSHAFT ASSEMBLY

| 柴油机型号 Model | | | R4100 | | | | | | | | | | | R4105 | | | | | R6105 | | | | | | | | | | | | | | |
|----------------|------------------|--|----------------------|----|----|---|----|----|----|----|-----|---|---|-------|----|---|---|---|-------|----|---|----|----|----|----|----|----|----|----|----|---|---|---|
| | | | T | T4 | ZT | G | G4 | G8 | G9 | D1 | ZD1 | Z | T | G | G3 | P | Z | Q | Q1 | Q2 | P | | | | | | | | | | | | |
| 序号 Item | 零件代号 Part No. | 零件名称 Description | 每台数量 Q'ty per set | | | | | | | | | | | | | | | | | | | | | | | | | | | | | | |
| 1 | 4R030001 | 凸轮轴 Camshaft | 1 | 1 | 1 | 1 | 1 | 1 | 1 | 1 | 1 | 1 | 1 | 1 | 1 | 1 | 1 | 1 | 1 | 1 | | | | | | | | | | | | | |
| 2 | 6R030001 | 凸轮轴 Camshaft | | | | | | | | | | | | | | | | | | | | | | | | | | 1 | 1 | 1 | 1 | 1 | 1 |
| 3 | R030002 | 挺柱 Tappet | 8 | 8 | 8 | 8 | 8 | 8 | 8 | 8 | 8 | 8 | 8 | 8 | 8 | 8 | 8 | 8 | 8 | 8 | 8 | 12 | 12 | 12 | 12 | 12 | 12 | 12 | 12 | 12 | | | |
| 4 | R030003 | 推杆 Pushrod | 8 | 8 | 8 | 8 | 8 | 8 | 8 | 8 | 8 | 8 | 8 | 8 | 8 | 8 | 8 | 8 | 8 | 8 | 8 | 12 | 12 | 12 | 12 | 12 | 12 | 12 | 12 | 12 | | | |
| 5 | R030004 | 凸轮轴止推板 Thrust plate, camshaft | 1 | 1 | 1 | 1 | 1 | 1 | 1 | 1 | 1 | 1 | 1 | 1 | 1 | 1 | 1 | 1 | 1 | 1 | 1 | 1 | 1 | 1 | 1 | 1 | 1 | 1 | 1 | 1 | | | |
| 6 | M8 × 20 GB5783 | 全螺纹六角头螺栓 Hex fully head threaded bolt | 2 | 2 | 2 | 2 | 2 | 2 | 2 | 2 | 2 | 2 | 2 | 2 | 2 | 2 | 2 | 2 | 2 | 2 | 2 | 2 | 2 | 2 | 2 | 2 | 2 | 2 | 2 | 2 | | | |
| 7 | 6 × 22 GB1099 | 半圆键 Woodruff key | 1 | 1 | 1 | 1 | 1 | 1 | 1 | 1 | 1 | 1 | 1 | 1 | 1 | 1 | 1 | 1 | 1 | 1 | 1 | 1 | 1 | 1 | 1 | 1 | 1 | 1 | 1 | 1 | | | |

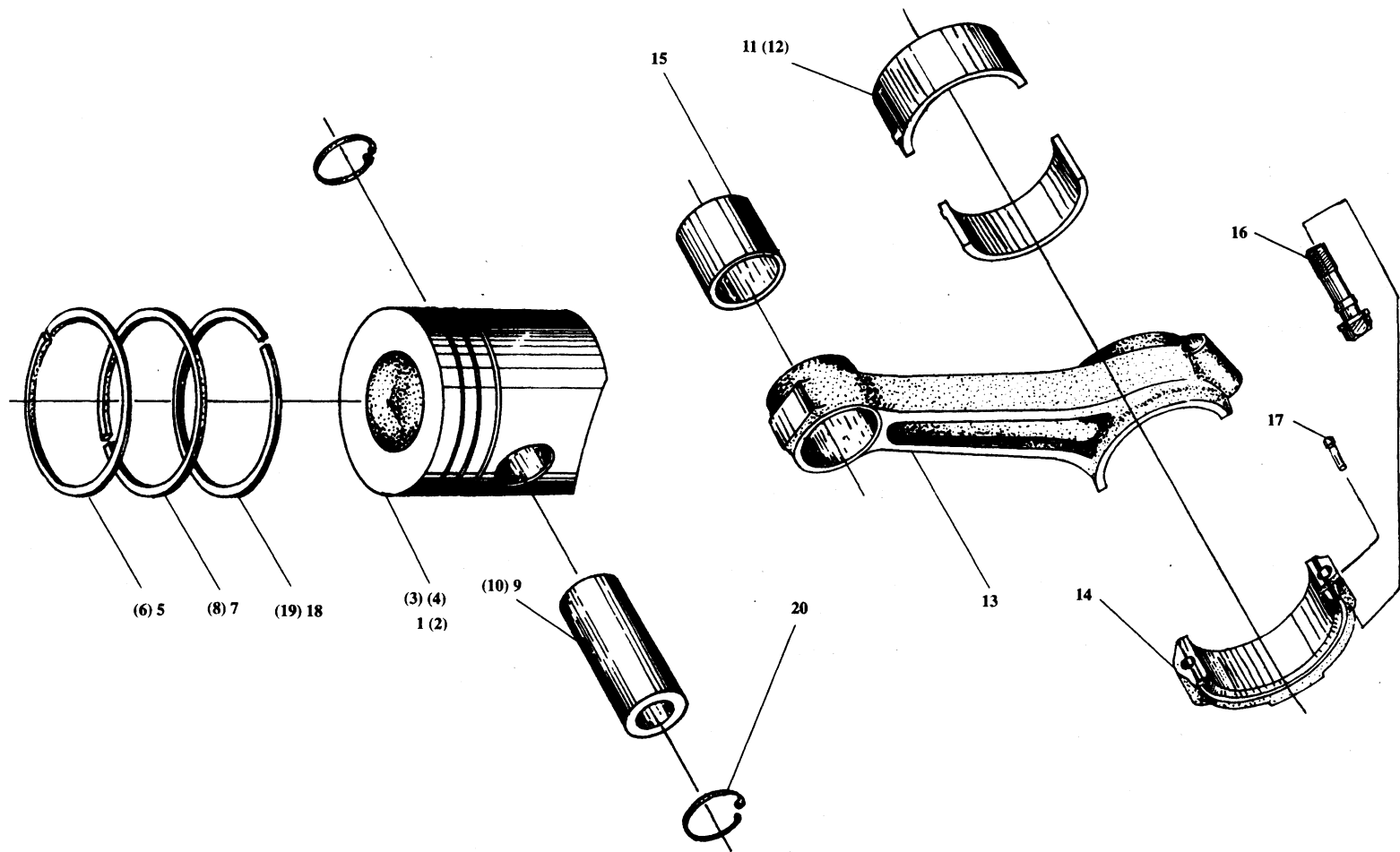
曲轴飞轮总成



| 柴 油 机 型 号 Model | | | | R4100 | | | | | | | | | | R4105 | | | | | R6105 | | | | | | | | | | | | | | | | |
|--------------------|------------------|------------------------|----------------------------------|-------------------------|----|----|---|----|----|----|----|-----|---|-------|---|---|----|---|-------|---|----|----|---|---|---|---|---|---|---|---|---|---|---|---|---|
| | | | | T | T4 | ZT | G | G4 | G8 | G9 | D1 | ZD1 | | Z | T | G | G3 | P | Z | Q | Q1 | Q2 | P | | | | | | | | | | | | |
| 序号 Item | 零件代号 Part No. | 零 件 名 称 Description | | 每 台 数 量 Q'ty per set | | | | | | | | | | | | | | | | | | | | | | | | | | | | | | | |
| 13 | R040007 | 曲轴皮带轮挡圈 | Retainer ring, crankshaft pulley | 1 | 1 | 1 | 1 | 1 | 1 | 1 | 1 | 1 | 1 | 1 | 1 | 1 | 1 | 1 | 1 | 1 | 1 | 1 | 1 | 1 | 1 | 1 | 1 | 1 | 1 | 1 | 1 | 1 | 1 | | |
| (14) | 6R1Q1040007 | 曲轴皮带轮挡圈 | Retainer ring, crankshaft pulley | | | | | | | | | | | | | | | | | | | | | | | | | | | | | | | 1 | |
| 15 | R040008 | 起动爪 | Starting dog | 1 | 1 | 1 | | 1 | 1 | 1 | 1 | 1 | 1 | 1 | 1 | 1 | 1 | 1 | 1 | 1 | 1 | 1 | 1 | 1 | 1 | 1 | 1 | 1 | 1 | 1 | 1 | 1 | 1 | 1 | |
| (16) | R040008 - A | 起动爪 | Starting dog | | | | 1 | | | | | | | | | | | | | | | | | | | | | | | | | | | | |
| 17 | R040009 | 飞轮螺栓 | Flywheel bolt | 7 | 7 | 7 | 7 | 7 | 7 | 7 | 7 | 7 | 7 | 7 | 7 | 7 | 7 | 7 | 7 | 7 | 7 | 7 | 7 | 7 | 7 | 7 | 7 | 7 | 7 | 7 | 7 | 7 | 7 | 7 | |
| (18) | 6R1Q1R040009 | 飞轮螺栓 | Flywheel bolt | | | | | | | | | | | | | | | | | | | | | | | | | | | | | | | 7 | |
| 19 | 4R1T040022 | 传动销 | Driving pin | | | | | | | | | | | | | | | | | | 6 | | | | | | | | | | | | | | |
| 20 | 4RC9040023 | 止推铜套 | Thrust copper sleeve | | | | | | | 1 | | | | | | | | | | | | | | | | | | | | | | | | | |
| 21 | R1P040024 | 传动内齿圈 | Driving inner ring gear | | | | | | | | | | | | | | | | | | | | | 1 | | | | | | | | | | | 1 |
| 22 | 6R1Q2040025 | 定位套 | Dowel spacer | | | | | | | | | | | | | | | | | | | | | | | | | | | | | | | | 1 |
| 23 | 4R040101 | 飞 轮 | Flywheel | 1 | | | | 1 | 1 | | | | | 1 | 1 | | | | | | | 1 | | | | | | | | | | | | | |
| (24) | 4RT040101 | 飞 轮 | Flywheel | | | | | | | 1 | | | | | | | | | | | | | | | | | | | | | | | | | |
| (25) | 4RT4040101 | 飞 轮 | Flywheel | | | | | | | | | | | | | | | | | | | | | | | | | | | | | | | | |
| 26 | 4RZT040101 | 飞 轮 | Flywheel | | | | | | | | | | | | | | | | | | | | | | | | | | | | | | | | |

| 柴 油 机 型 号 Model | | R4100 | | | | | | | | | | R4105 | | | | | R6105 | | | | | | | | |
|--------------------|-----------------------|------------------------|------------------------------|-------------------------|---|----|----|----|----|-----|---|-------|---|---|----|---|-------|----|---|----|----|---|---|---|----|
| | | T | T4 | ZT | G | G4 | G8 | G9 | D1 | ZD1 | | Z | T | G | G3 | P | | Z | Q | Q1 | Q2 | P | | | |
| 序号 Item | 零件代号 Part No. | 零 件 名 称 Description | | 每 台 数 量 Q'ty per set | | | | | | | | | | | | | | | | | | | | | |
| 41 | M10 × 20 GB5783 | 全螺纹六角头螺栓 | Hex head fully threaded bolt | 4 | 4 | 4 | | 4 | 4 | 4 | 4 | 4 | 4 | 4 | 4 | 4 | | 4 | 4 | | | | | | 4 |
| (42) | M10 × 25 GB5783 | 全螺纹六角头螺栓 | Hex head fully threaded bolt | | | | | | | | | | | | | | | | 4 | 4 | 4 | 4 | 4 | | |
| (43) | M10 × 45 GB5783 | 全螺纹六角头螺栓 | Hex head fully threaded bolt | | | | 4 | | | | | | | | | | 4 | | | | | | | | |
| 44 | 10GB848 - 140HV - ZnD | 小垫圈 | Small washer | 4 | 4 | 4 | 4 | 4 | 4 | 4 | 4 | 4 | 4 | 4 | 4 | 4 | 4 | 4 | 4 | 4 | 4 | 4 | 4 | 4 | 4 |
| 45 | 8GB93 | 弹簧垫圈 | Spring washer | | | | | | | | | | | | | | | 12 | | | | | | | 12 |
| 46 | 10 × 28 GB1096 | 圆头普通平键 | Round head flat key | 1 | 1 | 1 | 1 | 1 | 1 | 1 | 1 | 1 | 1 | 1 | 1 | 1 | 1 | 1 | 1 | 1 | 1 | 1 | 1 | 1 | 1 |
| 47 | 14 × 60 GB1096 | 圆头普通平键 | Round head flat key | 1 | 1 | 1 | | 1 | 1 | 1 | 1 | 1 | 1 | 1 | 1 | | 1 | 1 | 1 | 1 | 1 | 1 | 1 | 1 | 1 |
| 48 | A14 × 16 GB119 | 圆柱销 | Dowel pin | 1 | 1 | 1 | 1 | 1 | 1 | 1 | 1 | 1 | 1 | 1 | 1 | 1 | 1 | 1 | 1 | 1 | 1 | 1 | 1 | 1 | 1 |
| 49 | A10 × 26 GB119 | 圆柱销 | Dowel pin | | | | | | | | | | | 2 | | | | | | | | | | | |
| 50 | B10 × 16 GB119 | 圆柱销 | Dowel pin | | | | | | | | | | | | | | | | | | | | 2 | | |
| 51 | 60205 GB278 | 单列向心球轴承 | Ball bearing | | | | | | | | | | | | | 1 | 1 | | 1 | | | 1 | 1 | 1 | 1 |
| 52 | 60303 GB278 | 单列向心球轴承 | Ball bearing | | | | | | | 1 | | | | | | | | | | | | | | | |
| 53 | 110 × 3.1 GB1235 - 76 | “O”型密封圈 | “O” seal ring | | | | | | | 1 | | | | | | | | | | | | | | | |

活塞连杆总成



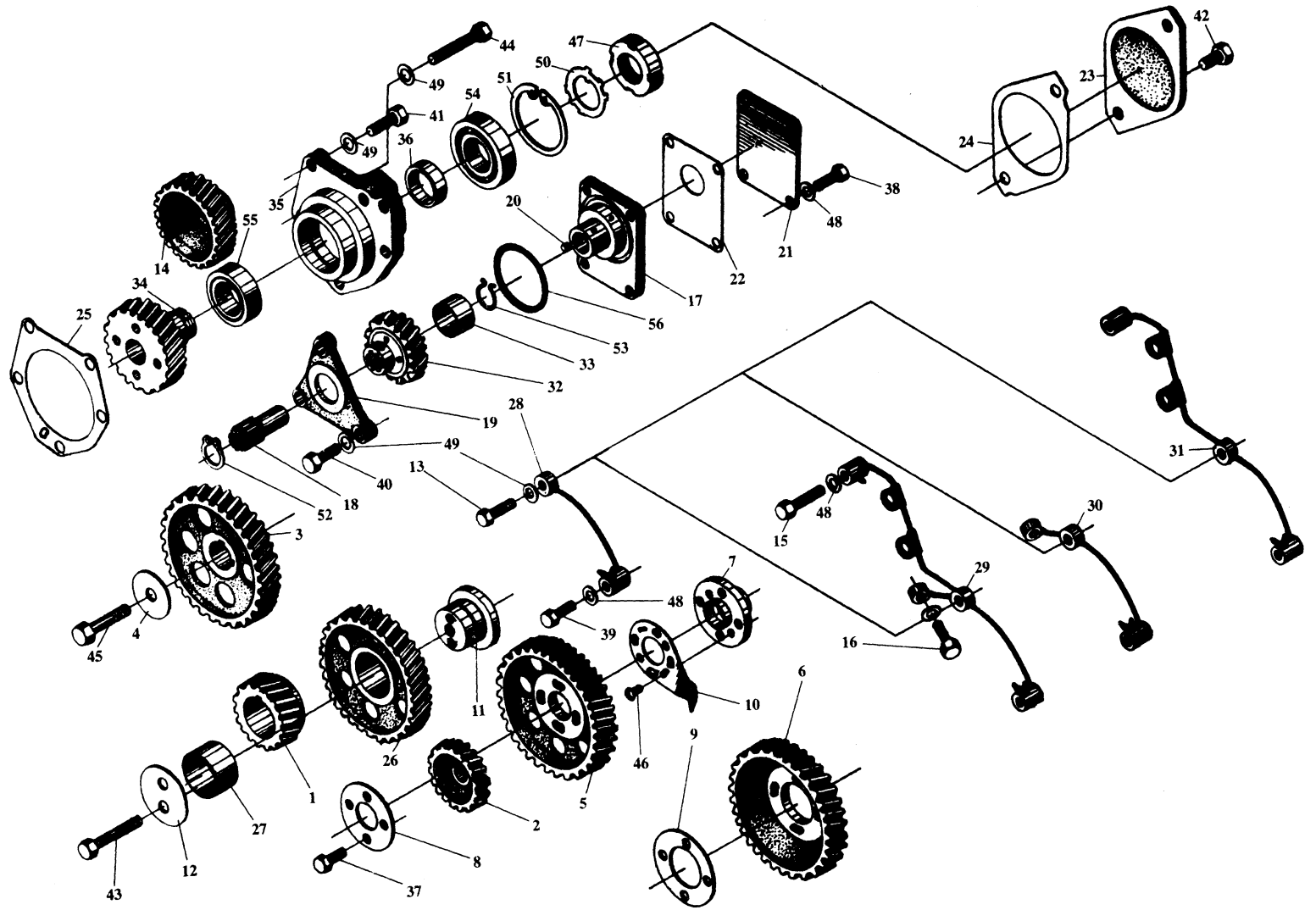
5. 活塞连杆总成

PISTON & CONNECTING ROD ASSEMBLY

| 柴 油 机 型 号 Model | | | R4100 | | | | | | | | | R4105 | | | | | R6105 | | | | | | |
|--------------------|------------------|----------------------------------|-------------------------|----|----|---|----|----|----|----|-----|-------|---|---|---|----|-------|---|---|----|----|---|---|
| | | | T | T4 | ZT | G | G4 | G8 | G9 | D1 | ZD1 | | Z | T | G | G3 | P | Z | Q | Q1 | Q2 | P | |
| 序号 Item | 零件代号 Part No. | 零 件 名 称 Description | 每 台 数 量 Q'ty per set | | | | | | | | | | | | | | | | | | | | |
| 1 | R050001Y | 活 塞 Piston | 4 | 4 | 4 | | 4 | 4 | 4 | 4 | 4 | | | | | | | | | | | | |
| (2) | RZ050001Y | 活 塞 Piston | | | | 4 | | | | | | 4 | | | | | | | | | | | |
| (3) | R1050001 | 活 塞 Piston | | | | | | | | | | | 4 | | 4 | 4 | 4 | 6 | 6 | 6 | 6 | 6 | |
| (4) | R1Z050001 | 活 塞 Piston | | | | | | | | | | | | 4 | | | | | 6 | | | | |
| 5 | R050002 - A | 第一道气环 First compression ring | 4 | 4 | 4 | 4 | 4 | 4 | 4 | 4 | 4 | 4 | | | | | | | | | | | |
| (6) | R1050002 - A | 第一道气环 First compression ring | | | | | | | | | | | 4 | 4 | 4 | 4 | 4 | 4 | 6 | 6 | 6 | 6 | 6 |
| 7 | R050003 - A | 第二道气环 Second compression ring | 4 | 4 | 4 | 4 | 4 | 4 | 4 | 4 | 4 | 4 | | | | | | | | | | | |
| (8) | R1050003 - A | 第二道气环 Second compression ring | | | | | | | | | | | 4 | 4 | 4 | 4 | 4 | 4 | 6 | 6 | 6 | 6 | 6 |
| 9 | R050004 | 活塞销 Piston pin | 4 | 4 | 4 | 4 | 4 | 4 | 4 | 4 | 4 | 4 | | | | | | | | | | | |

| 柴 油 机 型 号 Model | | | | R4100 | | | | | | | | | | R4105 | | | | | R6105 | | | | | | | | | | | | | |
|--------------------|------------------|------------------------|------------------------|-------------------------|----|----|---|----|----|----|----|-----|---|-------|---|---|----|---|-------|----|----|----|----|----|----|----|----|----|----|----|----|----|
| | | | | T | T4 | ZT | G | G4 | G8 | G9 | D1 | ZD1 | | Z | T | G | G3 | P | | Z | Q | Q1 | Q2 | P | | | | | | | | |
| 序号 Item | 零件代号 Part No. | 零 件 名 称 Description | | 每 台 数 量 Q'ty per set | | | | | | | | | | | | | | | | | | | | | | | | | | | | |
| (10) | R1050004 | 活塞销 | Piston pin | | | | | | | | | | | | | | | | | | 4 | 4 | 4 | 4 | 4 | 4 | 6 | 6 | 6 | 6 | 6 | 6 |
| 11 | R050005 | 连杆轴瓦 | Connecting rod bearing | 8 | 8 | 8 | | 8 | 8 | 8 | 8 | 8 | | 8 | | 8 | 8 | 8 | 8 | 12 | | 12 | 12 | 12 | 12 | 12 | | | | | | |
| (12) | RZ050005 | 连杆轴瓦 | Connecting rod bearing | | | | 8 | | | | | | 8 | | 8 | | | | | | 12 | | | | | | | | | | | |
| 13 | R050101 - A | 连 杆 | Connecting rod | 4 | 4 | 4 | 4 | 4 | 4 | 4 | 4 | 4 | 4 | 4 | 4 | 4 | 4 | 4 | 4 | 4 | 6 | 6 | 6 | 6 | 6 | 6 | 6 | 6 | 6 | 6 | 6 | 6 |
| 14 | R050102 - A | 连杆盖 | Connecting rod cap | 4 | 4 | 4 | 4 | 4 | 4 | 4 | 4 | 4 | 4 | 4 | 4 | 4 | 4 | 4 | 4 | 4 | 6 | 6 | 6 | 6 | 6 | 6 | 6 | 6 | 6 | 6 | 6 | 6 |
| 15 | R050103 | 连杆衬套 | Connecting bush | 4 | 4 | 4 | 4 | 4 | 4 | 4 | 4 | 4 | 4 | 4 | 4 | 4 | 4 | 4 | 4 | 4 | 6 | 6 | 6 | 6 | 6 | 6 | 6 | 6 | 6 | 6 | 6 | 6 |
| 16 | R050104 | 连杆螺栓 | Connecting rod bolt | 8 | 8 | 8 | 8 | 8 | 8 | 8 | 8 | 8 | 8 | 8 | 8 | 8 | 8 | 8 | 8 | 8 | 12 | 12 | 12 | 12 | 12 | 12 | 12 | 12 | 12 | 12 | 12 | 12 |
| 17 | R050105 - A | 销 钉 | Dowel pin | 4 | 4 | 4 | 4 | 4 | 4 | 4 | 4 | 4 | 4 | 4 | 4 | 4 | 4 | 4 | 4 | 4 | 6 | 6 | 6 | 6 | 6 | 6 | 6 | 6 | 6 | 6 | 6 | 6 |
| 18 | R050200 - A | 内衬油环 | Inner sustain oil ring | 4 | 4 | 4 | 4 | 4 | 4 | 4 | 4 | 4 | 4 | 4 | | | | | | | | | | | | | | | | | | |
| (19) | R1050200 - A | 内衬油环 | Inner sustain oil ring | | | | | | | | | | | | 4 | 4 | 4 | 4 | 4 | 4 | 6 | 6 | 6 | 6 | 6 | 6 | 6 | 6 | 6 | 6 | 6 | |
| 20 | 36 GB893.1 | 孔用弹簧挡圈 | Circlips for holes | 8 | 8 | 8 | 8 | 8 | 8 | 8 | 8 | 8 | 8 | 8 | 8 | 8 | | | | | | | | | | | | | | | | |

齿轮系总成



6. 齿轮系总成 GEAR SYSTEM ASSEMBLY

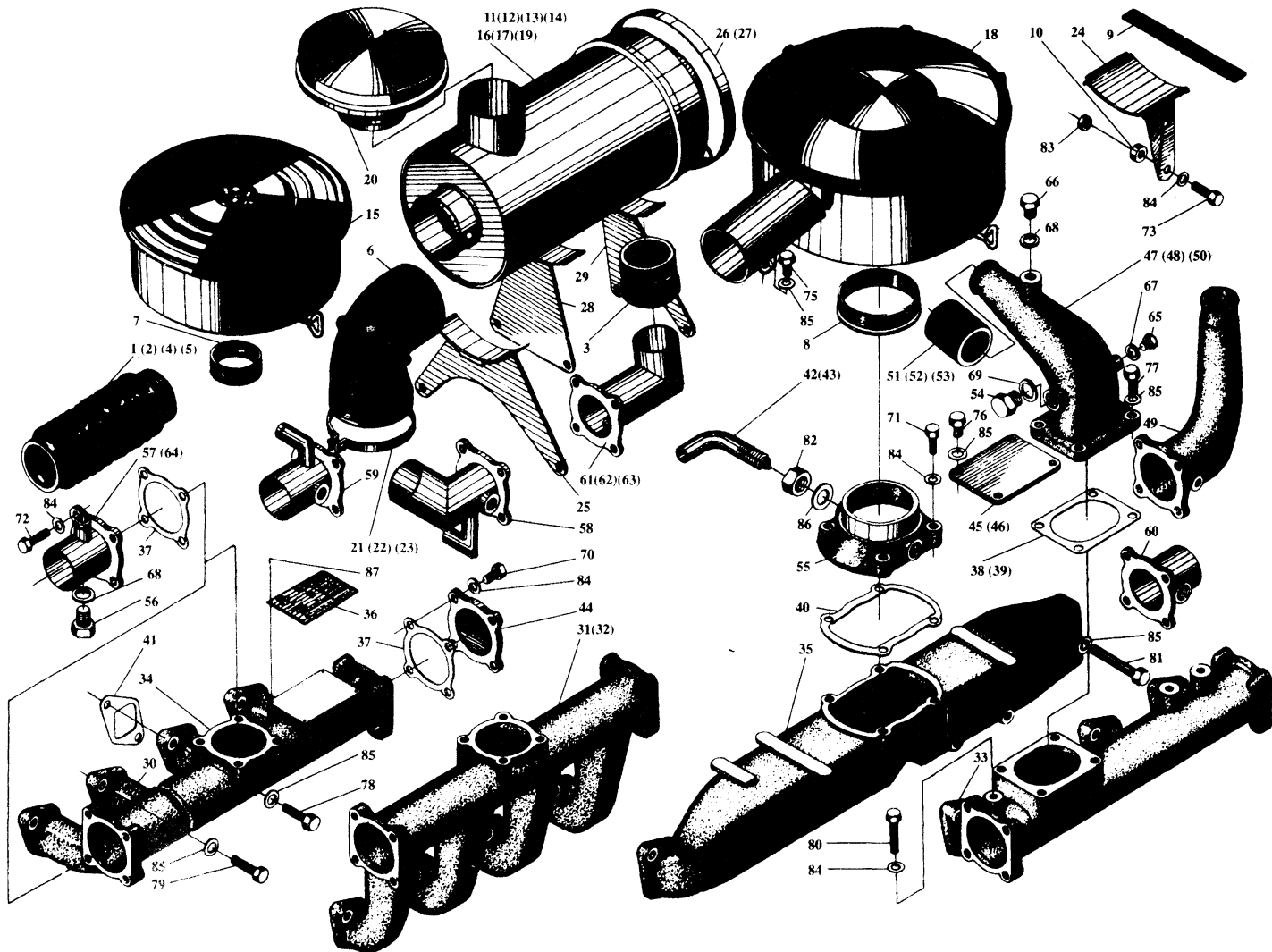
| 柴油机型号 Model | | | R4100 | | | | | | | | | | | R4105 | | | | | R6105 | | | | | | | | | | | | | | | | | | | | | | |
|----------------|------------------|--|-------------------------|----|----|---|----|----|----|----|-----|---|---|-------|---|---|----|---|-------|---|---|---|----|----|---|---|---|---|---|---|---|---|---|---|---|---|---|---|---|---|---|
| | | | T | T4 | ZT | G | G4 | G8 | G9 | D1 | ZD1 | | | Z | T | G | G3 | P | | | Z | Q | Q1 | Q2 | P | | | | | | | | | | | | | | | | |
| 序号 Item | 零件代号 Part No. | 零件名称 Description | 每 台 数 量 Q'ty per set | | | | | | | | | | | | | | | | | | | | | | | | | | | | | | | | | | | | | | |
| 1 | R060001 | 曲轴齿轮 Crankshaft gear | 1 | 1 | 1 | 1 | 1 | 1 | 1 | 1 | 1 | 1 | 1 | 1 | 1 | 1 | 1 | 1 | 1 | 1 | 1 | 1 | 1 | 1 | 1 | 1 | 1 | 1 | 1 | 1 | 1 | 1 | 1 | 1 | 1 | 1 | 1 | 1 | 1 | | |
| 2 | R060002 -2 | 机油泵传动齿轮 Oil pump gear | 1 | 1 | 1 | 1 | 1 | 1 | 1 | 1 | 1 | 1 | 1 | 1 | 1 | 1 | 1 | 1 | 1 | 1 | 1 | 1 | 1 | 1 | 1 | 1 | 1 | 1 | 1 | 1 | 1 | 1 | 1 | 1 | 1 | 1 | 1 | 1 | 1 | | |
| 3 | R060003 | 凸轮轴齿轮 Camshaft gear | 1 | 1 | 1 | 1 | 1 | 1 | 1 | 1 | 1 | 1 | 1 | 1 | 1 | 1 | 1 | 1 | 1 | 1 | 1 | 1 | 1 | 1 | 1 | 1 | 1 | 1 | 1 | 1 | 1 | 1 | 1 | 1 | 1 | 1 | 1 | 1 | 1 | | |
| 4 | R060004 | 凸轮轴齿轮挡圈 Camshaft gear retainer ring | 1 | 1 | 1 | 1 | 1 | 1 | 1 | 1 | 1 | 1 | 1 | 1 | 1 | 1 | 1 | 1 | 1 | 1 | 1 | 1 | 1 | 1 | 1 | 1 | 1 | 1 | 1 | 1 | 1 | 1 | 1 | 1 | 1 | 1 | 1 | 1 | 1 | | |
| 5 | R060005 -1 | 喷油泵齿轮 Fuel pump gear | 1 | 1 | 1 | 1 | 1 | 1 | 1 | 1 | 1 | 1 | 1 | 1 | 1 | 1 | 1 | 1 | 1 | 1 | 1 | 1 | 1 | 1 | 1 | 1 | 1 | 1 | 1 | 1 | 1 | 1 | 1 | 1 | 1 | 1 | 1 | 1 | 1 | | |
| 6 | 6RQ060005 | 喷油泵齿轮 Fuel pump gear | | | | | | | | | | | | | | | | | | | | | | | | | | | | | | | | | | | 1 | 1 | 1 | | |
| 7 | R060006 -1 | 喷油泵齿轮轮毂 Fuel pump gear hub | 1 | 1 | 1 | 1 | 1 | 1 | 1 | 1 | 1 | 1 | 1 | 1 | 1 | 1 | 1 | 1 | 1 | 1 | 1 | 1 | 1 | 1 | 1 | 1 | 1 | 1 | 1 | 1 | 1 | 1 | 1 | 1 | 1 | 1 | 1 | 1 | 1 | | |
| 8 | R060007 -1 | 喷油泵齿轮压板 Fuel pump gear platen | 1 | 1 | 1 | 1 | 1 | 1 | 1 | 1 | 1 | 1 | 1 | 1 | 1 | 1 | 1 | 1 | 1 | 1 | 1 | 1 | 1 | 1 | 1 | 1 | 1 | 1 | 1 | 1 | 1 | 1 | 1 | 1 | 1 | 1 | 1 | 1 | 1 | 1 | |
| 9 | 6RQ060007 | 喷油泵齿轮压板 Fuel pump gear platen | | | | | | | | | | | | | | | | | | | | | | | | | | | | | | | | | | | | 1 | 1 | 1 | |
| 10 | R060008 -1 | 喷油泵定时板 Fuel pump timing plate | 1 | 1 | 1 | 1 | 1 | 1 | 1 | 1 | 1 | 1 | 1 | 1 | 1 | 1 | 1 | 1 | 1 | 1 | 1 | 1 | 1 | 1 | 1 | 1 | 1 | 1 | 1 | 1 | 1 | 1 | 1 | 1 | 1 | 1 | 1 | 1 | 1 | 1 | |
| 11 | R060009 | 惰齿轮轴 Idling gear shaft | 1 | 1 | 1 | 1 | 1 | 1 | 1 | 1 | 1 | 1 | 1 | 1 | 1 | 1 | 1 | 1 | 1 | 1 | 1 | 1 | 1 | 1 | 1 | 1 | 1 | 1 | 1 | 1 | 1 | 1 | 1 | 1 | 1 | 1 | 1 | 1 | 1 | 1 | |
| 12 | R060011 | 惰齿轮轴止推板 Shaft thrust plate | 1 | 1 | 1 | 1 | 1 | 1 | 1 | 1 | 1 | 1 | 1 | 1 | 1 | 1 | 1 | 1 | 1 | 1 | 1 | 1 | 1 | 1 | 1 | 1 | 1 | 1 | 1 | 1 | 1 | 1 | 1 | 1 | 1 | 1 | 1 | 1 | 1 | 1 | |
| 13 | R060012 | 正时齿轮润滑油道螺钉 Timing gear oil groove screw | 1 | 1 | 1 | 1 | 1 | 1 | 1 | 1 | 1 | 1 | 1 | 1 | 1 | 1 | 1 | 1 | 1 | 1 | 1 | 1 | 1 | 1 | 1 | 1 | 1 | 1 | 1 | 1 | 1 | 1 | 1 | 1 | 1 | 1 | 1 | 1 | 1 | 1 | |
| 14 | RT060021 | 空压机齿轮 Air compressor gear | | | 1 | 1 | 1 | | | | | | | | | | | | | | | | | | | | | | | | | | | | | | | | 1 | 1 | 1 |
| 15 | RT060022 | 润滑油道螺钉 Oil groove screw | | | 1 | 1 | | 1 | 1 | 1 | 1 | | | | | | | | | | | | | | | | | | | | | | | | | | | | | | |

| 柴油型号 Model | | | R4100 | | | | | | | | | | R4105 | | | | | R6105 | | | | | | | | |
|---------------|------------------|---------------------|--|----------------------|----|---|----|----|----|----|-----|---|-------|---|---|----|---|-------|---|---|----|----|---|---|---|---|
| | | | T | T4 | ZT | G | G4 | G8 | G9 | D1 | ZD1 | | Z | T | G | G3 | P | | Z | Q | Q1 | Q2 | P | | | |
| 序号 Item | 零件代号 Part No. | 零件名称 Description | | 每台数量 Q'ty per set | | | | | | | | | | | | | | | | | | | | | | |
| 16 | RT060023 | 润滑油道螺钉 | Oil groove screw | 1 | 1 | 1 | | | | | | | | | 1 | 1 | | | | | 1 | 1 | 1 | | | |
| 17 | RT060024 | 液压泵传动齿轮轴 | Hydraulic pump driving gear shaft | 1 | 1 | | | 1 | 1 | 1 | | | | | 1 | | | | | | | | | | | |
| 18 | RT060025 | 液压泵传动花键套 | Hydraulic pump driving spline housing | 1 | 1 | | | 1 | 1 | 1 | | | | | 1 | | | | | | | | | | | |
| 19 | RT060026 | 液压泵传动齿轮止推板 | Hydraulic pump driving gear thrust plate | 1 | 1 | | | 1 | 1 | 1 | | | | | 1 | | | | | | | | | | | |
| 20 | RT060027 | 堵塞 | Plug | 1 | 1 | | | 1 | 1 | 1 | | | | | 1 | | | | | | | | | | | |
| 21 | RT060028 | 盖板 | Cover | 1 | 1 | | | 1 | 1 | 1 | | | | | 1 | | | | | | | | | | | |
| 22 | RT060029 | 液压泵垫片 | Hydraulic pump gasket | 1 | 1 | | | 1 | 1 | 1 | | | | | 1 | | | | | | | | | | | |
| 23 | 4RG9060031 | 盖板 | Cover | | | | | | | 1 | 1 | | | | | | | | | | | | | | | |
| 24 | 4RG9060032 | 盖板垫片 | Cover gasket | | | | | | | 1 | 1 | | | | | | | | | | | | | | | |
| 25 | 4RT710001 | 空压机垫片 | Air compressor gasket | | | | | | | 1 | 1 | | | | | | | | | | | | | | | |
| 26 | R060101 | 惰齿轮 | Idler gear | 1 | 1 | 1 | 1 | 1 | 1 | 1 | 1 | 1 | 1 | 1 | 1 | 1 | 1 | 1 | 1 | 1 | 1 | 1 | 1 | 1 | 1 | 1 |
| 27 | R060102 | 惰齿轮衬套 | Idler gear bush | 1 | 1 | 1 | 1 | 1 | 1 | 1 | 1 | 1 | 1 | 1 | 1 | 1 | 1 | 1 | 1 | 1 | 1 | 1 | 1 | 1 | 1 | 1 |
| 28 | R060200 | 齿轮润滑油管部件 | Gear oil pipe subassembly | 1 | | | | | | | 1 | 1 | 1 | 1 | | | 1 | 1 | 1 | 1 | | | | | | 1 |
| 29 | RT060200 | 齿轮润滑油管部件 | Gear oil pipe subassembly | 1 | 1 | | | 1 | 1 | 1 | | | | | 1 | | | | | | | | | | | |
| 30 | 4RG060200 | 齿轮润滑油管部件 | Gear oil pipe subassembly | | | | | 1 | | | | | | | | | | | | | | | | | | |

| 柴 油 机 型 号 Model | | | R4100 | | | | | | | | | | R4105 | | | | | R6105 | | | | |
|--------------------|------------------|---|-------------------------|----|----|---|----|----|----|---|-----|---|-------|---|---|----|---|-------|---|---|----|----|
| | | | T | T4 | ZT | G | G4 | G8 | G9 | D | ZD1 | | Z | T | G | G3 | P | | Z | Q | Q1 | Q2 |
| 序号 Item | 零件代号 Part No. | 零 件 名 称 Description | 每 台 数 量 Q'ty per set | | | | | | | | | | | | | | | | | | | |
| 31 | 6RQ060200 | 齿轮润滑油管部件 Gear oil pipe subassembly | | | 1 | | | | | | | | | | 1 | | | | | 1 | 1 | 1 |
| 32 | RT061101 | 液压泵传动齿轮 Hydraulic pump driving gear | 1 | 1 | | | 1 | 1 | 1 | | | | | | 1 | | | | | | | |
| 33 | RT061102 | 液压泵传动齿轮衬套 Hydraulic pump driving gear bush | 1 | 1 | | | 1 | 1 | 1 | | | | | | 1 | | | | | | | |
| 34 | 4RG9061201 | 工作泵齿轮 Driven pump gear | | | | | | | 1 | 1 | | | | | | | | | | | | |
| 35 | 4RG9061202 | 工作泵轴承座 Driven pump bearing seat | | | | | | | 1 | 1 | | | | | | | | | | | | |
| 36 | 4RG9061203 | 隔套 Spacer sleeve | | | | | | | 1 | 1 | | | | | | | | | | | | |
| 37 | M8 × 25 GB5783 | 全螺纹六角头螺栓 Hex head fully threaded bolt | 4 | 4 | 4 | 4 | 4 | 4 | 4 | 4 | 4 | 4 | 4 | 4 | 4 | 4 | 4 | 4 | 4 | 4 | 4 | 4 |
| 38 | M8 × 30 GB5783 | 全螺纹六角头螺栓 Hex head fully threaded bolt | 4 | 4 | | | 4 | 4 | 4 | | | | | | 4 | | | | | | | |
| 39 | M8 × 40 GB5783 | 全螺纹六角头螺栓 Hex head fully threaded bolt | 1 | 1 | 1 | 1 | 1 | 1 | 1 | 1 | 1 | 1 | 1 | 1 | 1 | 1 | 1 | 1 | 1 | 1 | 1 | 1 |
| 40 | M10 × 30 GB5783 | 全螺纹六角头螺栓 Hex head fully threaded bolt | | 3 | 3 | | | 3 | 3 | 3 | | | | | 3 | | | | | | | |
| 41 | M10 × 35 GB5783 | 全螺纹六角头螺栓 Hex head fully threaded bolt | | | | | | | 4 | 4 | | | | | | | | | | | | |
| 42 | M12 × 20 GB5783 | 全螺纹六角头螺栓 Hex head fully threaded bolt | | | | | | | 2 | 2 | | | | | | | | | | | | |

| 柴油机型号 Model | | | | R4100 | | | | | | | | | | R4105 | | | | | R6105 | | | | | | |
|----------------|-------------------|---------------------|----------------------|-------------------------|----|----|---|----|----|----|----|-----|---|-------|---|---|---|----|-------|---|---|---|---|----|----|
| | | | | T | T4 | ZT | G | G4 | G8 | G9 | D1 | ZD1 | | | Z | T | G | G3 | P | | | Z | Q | Q1 | Q2 |
| 序号 Item | 零件代号 Part No. | 零件名称 Description | | 每 台 数 量 Q'ty per set | | | | | | | | | | | | | | | | | | | | | |
| 43 | M10×65 GB5783 | 六角头螺栓 | Hexagon bolt | 2 | 2 | 2 | 2 | 2 | 2 | 2 | 2 | 2 | 2 | 2 | 2 | 2 | 2 | 2 | 2 | 2 | 2 | 2 | 2 | 2 | 2 |
| 44 | M10×75 GB5783 | 六角头螺栓 | Hexagon bolt | | | | | | | 1 | 1 | | | | | | | | | | | | | | |
| 45 | M12×55 GB5783 | 六角头螺栓 | Hexagon bolt | 1 | 1 | 1 | 1 | 1 | 1 | 1 | 1 | 1 | 1 | 1 | 1 | 1 | 1 | 1 | 1 | 1 | 1 | 1 | 1 | 1 | 1 |
| 46 | M5×12 GB67-ZnD | 开槽盘头螺钉 | Slotted screw | 2 | | | 2 | 2 | 2 | 2 | 2 | 2 | 2 | 2 | | | 2 | 2 | 2 | 2 | 2 | | | | 2 |
| 47 | RM08 GB9160.3 | 锁紧螺母 | Latch nut | | | | | | | 1 | 1 | | | | | | | | | | | | | | |
| 48 | 8GB848-140HV-ZnD | 小垫圈 | Small washer | 1 | 7 | 7 | 1 | 2 | 7 | 7 | 7 | 1 | 1 | 1 | 1 | 7 | 1 | 1 | 1 | 1 | 1 | 1 | 1 | 1 | 1 |
| 49 | 10GB848-140HV-ZnD | 小垫圈 | Small washer | 1 | 4 | 4 | 1 | 1 | 4 | 9 | 9 | 1 | 1 | 1 | 1 | 4 | 1 | 1 | 1 | 1 | 1 | 1 | 1 | 1 | 1 |
| 50 | MB08 GB9160.4 | 锁紧垫圈 | Locking washer | | | | | | | 1 | 1 | | | | | | | | | | | | | | |
| 51 | 85 GB893.1 | 孔用钢丝挡圈 | Circlip for hole | | | | | | | 1 | 1 | | | | | | | | | | | | | | |
| 52 | 25 GB894.1 | 轴用钢丝挡圈 | Circlip for shaft | | 1 | 1 | | | 1 | 1 | 1 | | | | | 1 | | | | | | | | | |
| 53 | 25 GB895.2 | 轴用钢丝挡圈 | Circlip for shaft | | 1 | 1 | | | 1 | 1 | 1 | | | | | 1 | | | | | | | | | |
| 54 | 36209 GB5801 | 角接触球轴承 | Ball bearing | | | | | | | 1 | 1 | | | | | | | | | | | | | | |
| 55 | 4544909 GB5801 | 滚针轴承 | Needle bearing | | | | | | | 1 | 1 | | | | | | | | | | | | | | |
| 56 | 80×3.1 GB1235-76 | “O”型橡胶密封圈 | “O” rubber seal ring | | 1 | 1 | | | 1 | 1 | 1 | | | | | 1 | | | | | | | | | |

进气系统



7. 进气系统(空滤器、进气管总成、铭牌)

AIR INTAKE SYSTEM(AIR CLEANER、AIR INLET MANIFOLD ASSEMBLY、NAME PLATE)

| 柴 油 机 型 号 Model | | R4100 | | | | | | | | | | R4105 | | | | | R6105 | | | | | | | | | | | | | |
|--------------------|------------------|------------------------|--------------------------------------|-------------------------|---|----|----|----|----|-----|--|-------|---|---|----|---|-------|---|----|----|---|--|--|--|--|---|---|---|---|---|
| | | T | T4 | ZT | G | G4 | G8 | G9 | D1 | ZD1 | | Z | T | G | G3 | P | Z | Q | Q1 | Q2 | P | | | | | | | | | |
| 序号 Item | 零件代号 Part No. | 零 件 名 称 Description | | 每 台 数 量 Q'ty per set | | | | | | | | | | | | | | | | | | | | | | | | | | |
| 1 | 4R210001 | 空滤器皱纹管 | Wrinkles hose, air cleaner | 1 | | | | | | | | | | | | 1 | | | | | | | | | | | | | | |
| (2) | 4RZ210001 | 空滤器皱纹管 | Wrinkles hose, air cleaner | | | | | | | | | | | | | 1 | | | | | | | | | | | | | | |
| 3 | 4R1T210001 -1 | 空滤连接胶管 | Connecting rubber hose, air cleaner | | | | | | | | | | | | | 1 | | | | | | | | | | | | | | |
| (4) | 6R210001 | 空滤器皱纹管 | Wrinkles hose, air cleaner | | | | | | | | | | | | | | | | | | 1 | | | | | | | | | |
| 5 | 6R1Z210001 | 空滤器皱纹管 | Wrinkles hose, air cleaner | | | | | | | | | | | | | | | | | | 1 | | | | | | | | | |
| 6 | 6R1Q210001 | 空滤连接胶管 | Connecting rubber hose, air cleaner | | | | | | | | | | | | | | | | | | | | | | | | 1 | 1 | | |
| 7 | 495ZD -1 -07024 | 空滤接管衬套 | Bushing, air cleaner connecting pipe | | | | | | | | | 1 | 1 | | | | | | | 1 | | | | | | | | | | 2 |
| 8 | 6R1Q221022 | 空滤接管衬套 | Bushing, air cleaner connecting pipe | | | | | | | | | | | | | | | | | | | | | | | | | | 1 | |
| 9 | 6R1Q210024 | 空滤卡箍垫片 | Clamp gasket, air cleaner | | | | | | | | | | | | | 1 | | | | | | | | | | 1 | 1 | | | |
| 10 | 4RZ730014 | 垫 圈 | Washer | | | | | | | | | | | | | 2 | | | | | | | | | | | | | | |

| 柴油机型号 Model | | R4100 | | | | | | | | | | R4105 | | | | | R6105 | | | | | | | | |
|----------------|-----------------------------|---|----------------------|----|---|----|----|----|----|-----|---|-------|---|----|---|---|-------|----|----|---|--|--|---|---|---|
| | | T | T4 | ZT | G | G4 | G8 | G9 | D1 | ZD1 | Z | T | G | G3 | P | Z | Q | Q1 | Q2 | P | | | | | |
| 序号 Item | 零件代号 Part No. | 零件名称 Description | 每台数量 Q'ty per set | | | | | | | | | | | | | | | | | | | | | | |
| (11) | 4R210100 - A (kW1532A) | 空气滤清器部件 Air cleaner subassembly | | | | 1 | 1 | | | | | | | | | | | | | | | | | | |
| 12 | 4R210100 - A1 (kW1532A1) | 空气滤清器部件 Air cleaner subassembly | | 1 | | | | | | | | | | | | | | 1 | | | | | | | |
| (13) | 4R210100 - B (kW1532B) | 空气滤清器部件 Air cleaner subassembly | 1 | 1 | | | | | | | | | | 1 | | | | | | | | | | | |
| (14) | 4R210100 - B1 (kW1532B1) | 空气滤清器部件 Air cleaner subassembly | | | | | | | | | | | | | | 1 | | | | | | | | | |
| 15 | 495Z - 07100 (k2410) | 空气滤清器部件 Air cleaner subassembly | | | | | | | | 1 | 1 | | | | | | | 1 | | | | | | | 2 |
| 16 | 6R210100 (kY1632) | 空气滤清器部件 Air cleaner subassembly | | | | | | | | | | | | | 1 | | | | | | | | 1 | | |
| (17) | 6R1Q210100 (kY1632) | 空气滤清器部件 Air cleaner subassembly | | | | | | | | | | | | | | | | | | | | | 1 | 1 | |
| 18 | 6R1Q2210100 (k2712) | 空气滤清器部件 Air cleaner subassembly | | | | | | | | | | | | | | | | | | | | | | | 1 |
| 19 | 6R1Z210100 (kW2139A3) | 空气滤清器部件 Air cleaner subassembly | | | | | | | | | | | | | | | | | | | | | 1 | | |
| 20 | 6R210200 | 空滤器防雨罩部件 Water proof cover subassembly | | | | | | | | | | | | | | | | 1 | | | | | | | |
| 21 | 4R2103000 | 胶管夹箍 Hose clamp | 2 | 2 | | 2 | | | | | | | | 2 | 2 | 2 | 2 | | | | | | | 2 | |

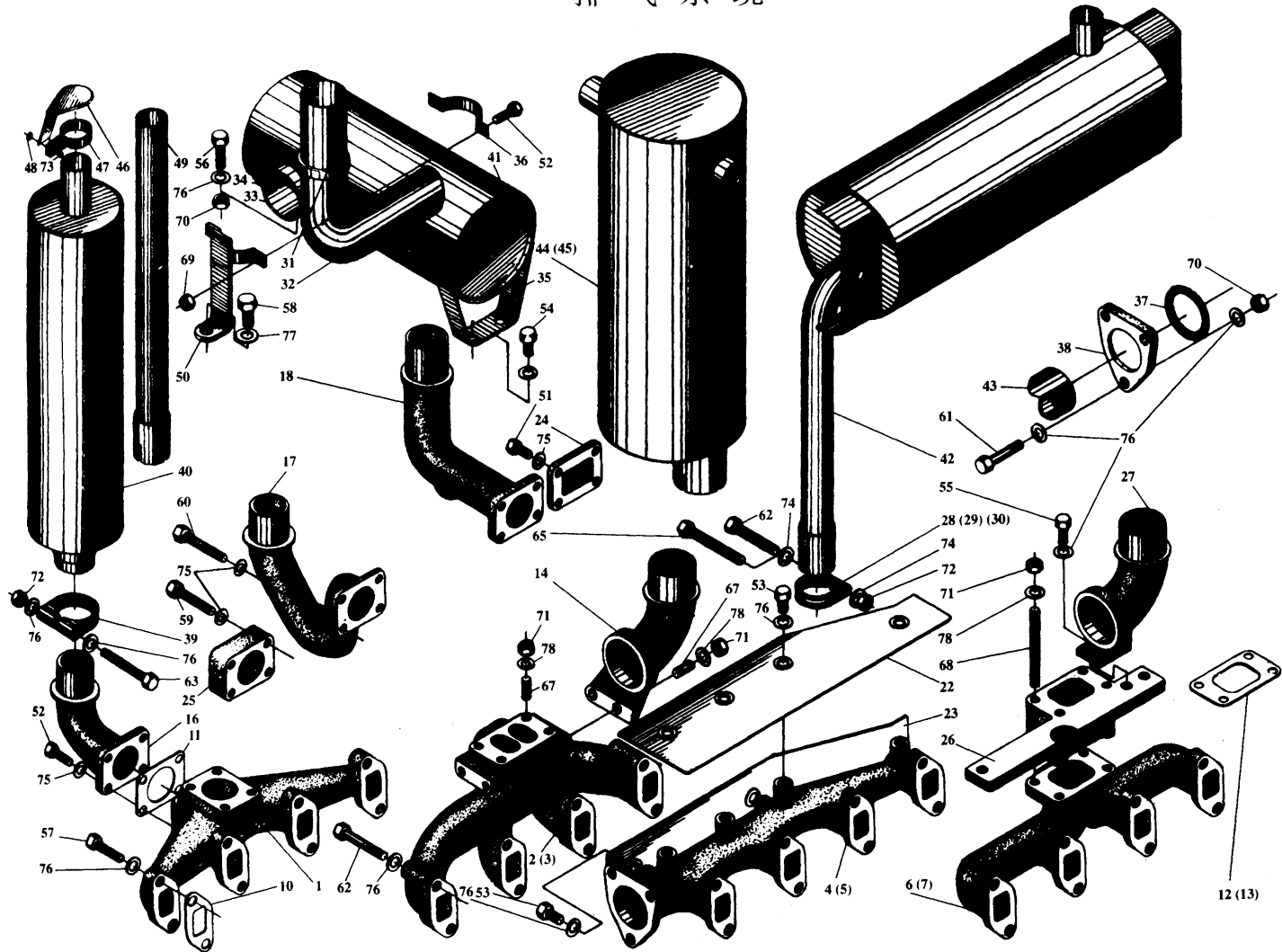
| 柴油机型号 Model | | | R4100 | | | | | | | | | R4105 | | | | | R6105 | | | | | | | | | | | | | | | | | |
|----------------|------------------|---------------------|--|----|----|---|----|----|----|----|-----|-------|---|---|----|---|-------|---|----|----|---|--|--|--|--|--|--|---|---|---|---|---|--|--|
| | | | T | T4 | ZT | G | G4 | G8 | G9 | D1 | ZD1 | Z | T | G | G3 | P | Z | Q | Q1 | Q2 | P | | | | | | | | | | | | | |
| 序号 Item | 零件代号 Part No. | 零件名称 Description | 每 台 数 量 Q'ty per set | | | | | | | | | | | | | | | | | | | | | | | | | | | | | | | |
| (22) | 6R2103000 | 胶管夹箍 | Hose clamp | | | | | | | | | | | | | | | | 2 | | | | | | | | | 2 | | | | | | |
| (23) | 6R1Q210300 | 胶管夹箍 | Hose clamp | | | | | | | | | | | | | | | | | | | | | | | | | | | | 2 | 2 | | |
| 24 | 4RZ210400 | 空滤支架焊合件 | Air cleaner support welding subassembly | | | | | | | | | | | | | | | | | 1 | | | | | | | | | | | | | | |
| 25 | 6R1Q210400 | 空滤支架焊合件 | Air cleaner support welding subassembly | | | | | | | | | | | | | | | | | | | | | | | | | | | | 1 | 1 | | |
| 26 | 6R1Q210501 | 卡 圈 | Clamp | | | | | | | | | | | | | | | | | | | | | | | | | | | 1 | 1 | | | |
| (27) | 6R1Z210501 | 卡 圈 | Clamp | | | | | | | | | | | | | | | | | | | | | | | | | | | 1 | | | | |
| 28 | 6R1Z210600 | 空滤器左支架部件 | Air cleaner left support asspmbly | | | | | | | | | | | | | | | | | | | | | | | | | | | 1 | | | | |
| 29 | 6R1Z210700 | 空滤器右支架部件 | Air cleaner right support asspmbly | | | | | | | | | | | | | | | | | | | | | | | | | | | 1 | | | | |
| 30 | 4R220001 -1 | 进气管 | Inlet manifold | 1 | | | | | | 1 | 1 | | | | | | | | | | | | | | | | | 1 | 1 | 1 | | | | |
| 31 | 4RT220001 | 进气管 | Inlet manifold | | 1 | | | | | | | | | | | | | | | | | | | | | | | | | | | | | |
| (32) | 4R1T220001 | 进气管 | Inlet manifold | | | | | | | | | | | | | | | | | | 1 | | | | | | | | | | | | | |
| 33 | 4RZT220001 -1 | 进气管 | Inlet manifold | | | 1 | 1 | | | 1 | 1 | | | | | | | | | | | | | | | | | | | | | | | |
| (34) | 6R220001 | 进气管 | Inlet manifold | | | | | | | | | | | | | | | | | | | | | | | | | 1 | 1 | | | 1 | | |
| 33 | 6R1Q220001 | 进气管 | Inlet manifold | | | | | | | | | | | | | | | | | | | | | | | | | | | 1 | 1 | 1 | | |

| 柴 油 机 型 号 Model | | R4100 | | | | | | | | | | R4105 | | | | | R6105 | | | | | | | | | | | | | | | | | | | | | | | | | | | | |
|--------------------|------------------|------------------------|------------------------|-------------------------|---|----|----|----|----|-----|---|-------|---|----|---|---|-------|----|----|---|---|---|---|---|---|---|---|---|---|---|---|---|---|---|---|---|---|---|---|---|---|---|---|--|---|
| | | T | T4 | ZT | G | G4 | G8 | G9 | D1 | ZD1 | Z | T | G | G3 | P | Z | Q | Q1 | Q2 | P | | | | | | | | | | | | | | | | | | | | | | | | | |
| 序号 Item | 零件代号 Part No. | 零 件 名 称 Description | | 每 台 数 量 Q'ty per set | | | | | | | | | | | | | | | | | | | | | | | | | | | | | | | | | | | | | | | | | |
| 36 | R000001 | 铭 牌 | Name plate | 1 | 1 | 1 | 1 | 1 | 1 | 1 | 1 | 1 | 1 | 1 | 1 | 1 | 1 | 1 | 1 | 1 | 1 | 1 | 1 | 1 | 1 | 1 | 1 | 1 | 1 | 1 | 1 | 1 | 1 | 1 | 1 | 1 | 1 | 1 | | | | | | | |
| 37 | 4R220002 -1 | 进气接管垫片 | Gasket | 3 | 3 | 2 | 2 | 3 | 3 | 2 | 2 | 3 | 3 | 3 | 3 | 3 | 3 | 3 | 3 | 3 | 3 | 3 | 3 | 3 | 3 | 3 | 3 | 3 | 3 | 3 | 3 | 3 | 3 | 3 | 3 | 3 | 3 | 3 | | | | | | | |
| 38 | 4RZT220002 | 进气接管垫片 | Gasket | | | 1 | 1 | | | 1 | 1 | | | | | | | | | | | | | | | | | | | | | | | | | | | | | | | | | | |
| (39) | 6R220002 | 进气接管垫片 | Gasket | | | | | | | | | | | | | | | | | | | | | | | | | | | | | | | | | | 4 | 4 | | | | 4 | | | |
| 40 | 6R1Q220002 | 进气接管垫片 | Gasket | | | | | | | | | | | | | | | | | | | | | | | | | | | | | | | | | | | | 1 | 1 | 1 | | | | |
| 41 | R220003 | 进气歧管垫片 | Inlet manifold gasket | 4 | 4 | 4 | 4 | 4 | 4 | 4 | 4 | 4 | 4 | 4 | 4 | 4 | 4 | 4 | 4 | 4 | 4 | 4 | 4 | 4 | 4 | 4 | 4 | 4 | 4 | 4 | 4 | 4 | 4 | 4 | 4 | 4 | 4 | 6 | 6 | 6 | 6 | 6 | 6 | | |
| 42 | 6R1Q220004 | 呼吸管接头 | Adapter, breather pipe | | | | | | | | | | | | | | | | | | | | | | | | | | | | | | | | | | | 1 | 1 | | | | | | |
| (43) | 6R1Q2220004 | 呼吸管接头 | Adapter, breather pipe | | | | | | | | | | | | | | | | | | | | | | | | | | | | | | | | | | | | | | 1 | | | | |
| 44 | 4R220005 | 进气管盖板 | Cover, inlet manifold | 2 | 2 | 1 | 2 | 2 | 2 | 1 | 1 | 2 | 2 | 2 | 2 | 2 | 2 | 2 | 2 | 2 | 2 | 2 | 2 | 2 | 2 | 2 | 2 | 2 | 2 | 2 | 2 | 2 | 2 | 2 | 2 | 2 | 2 | 2 | 2 | 2 | 2 | 2 | | | |
| 45 | 4RG9220005 | 进气管盖板 | Cover, inlet manifold | | | 1 | | | | 1 | 1 | | | | | | | | | | | | | | | | | | | | | | | | | | | | | | | | | | |
| (46) | 6R220005 | 进气管盖板 | Cover, inlet manifold | | | | | | | | | | | | | | | | | | | | | | | | | | | | | | | | | | | | | 3 | 3 | | | | 2 |
| 47 | 4RZT220021 - A | 进气联接管 | Inlet connecting pipe | | | | 1 | | | | | | | | | | | | | | | | | | | | | | | | | | | | | | | | | | | | | | |
| (48) | 4RZD220021 | 进气联接管 | Inlet connecting pipe | | | | | | | | | | | | | | | | | | | | | | | | | | | | | | | | | | | | | | | | 1 | | |
| 49 | 4RZ220021 | 进气联接管 | Inlet connecting pipe | | | | | | | | | | | | | | | | | | | | | | | | | | | | | | | | | | | | | | | | 1 | | |
| 50 | 6R1Z220021 | 进气联接管 | Inlet connecting pipe | | | | | | | | | | | | | | | | | | | | | | | | | | | | | | | | | | | | | | | 1 | | | |
| 51 | RZ220022 | 进气胶管 | Air inlet rubber pipe | | | | | | | | | | | | | | | | | | | | | | | | | | | | | | | | | | | | | | | 1 | | | |

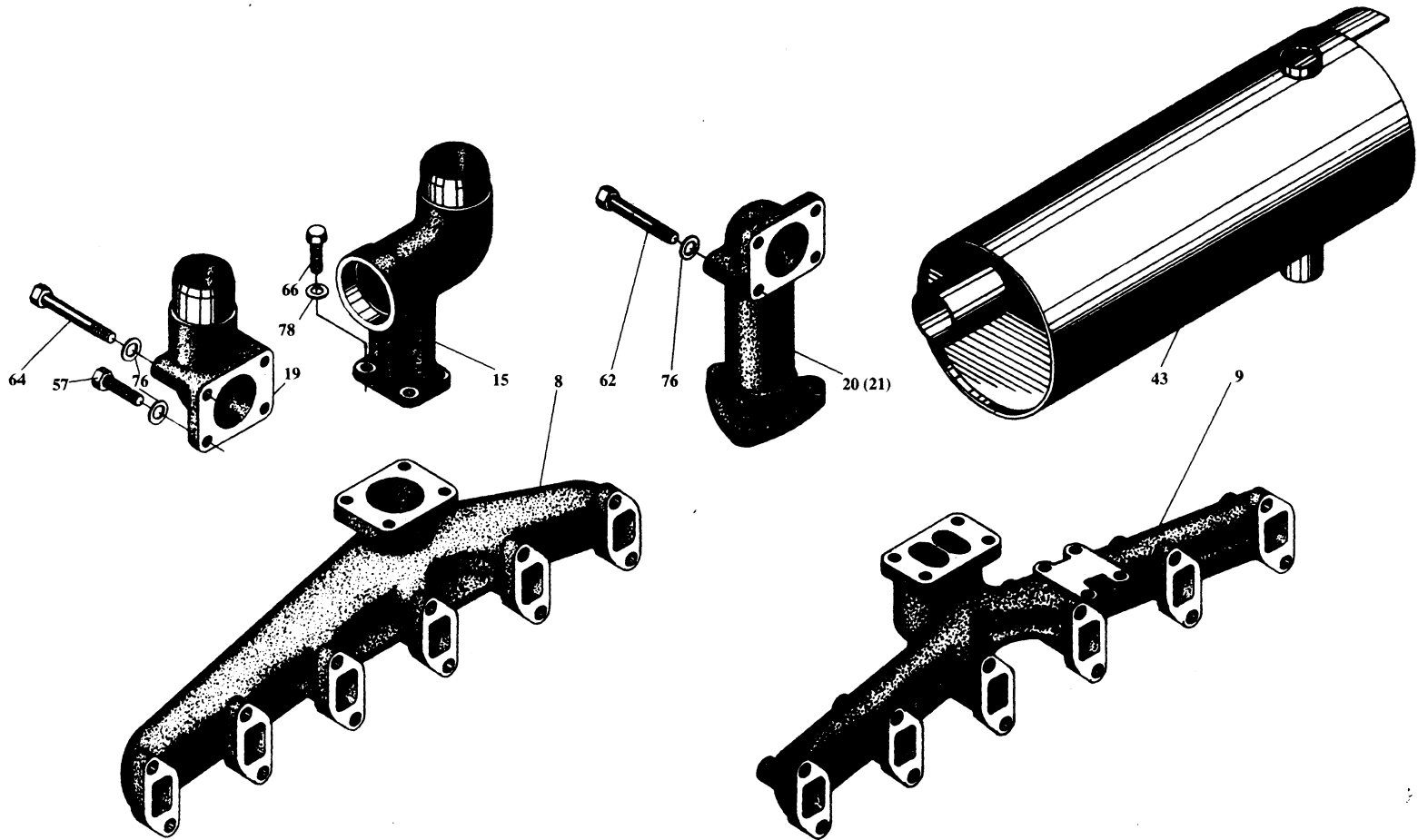
| 柴油机型号 Model | | R4100 | | | | | | | | | | R4105 | | | | | R6105 | | | | | | | | | | | | |
|----------------|------------------|---------------------|-----------------------------------|----------------------|---|----|----|----|----|-----|---|-------|---|---|----|---|-------|---|---|----|----|---|---|--|--|--|--|--|---|
| | | T | T4 | ZT | G | G4 | G8 | G9 | D1 | ZD1 | | Z | T | G | G3 | P | | Z | Q | Q1 | Q2 | P | | | | | | | |
| 序号 Item | 零件代号 Part No. | 零件名称 Description | | 每台数量 Q'ty per set | | | | | | | | | | | | | | | | | | | | | | | | | |
| (52) | 4RZT220022 | 进气胶管 | Air inlet rubber pipe | | | | 1 | | | | | | | | | | | | | | | | | | | | | | |
| (53) | 4RZD220022 | 进气胶管 | Air inlet rubber pipe | | | | | | | | | | | 1 | | | | | | | | | | | | | | | |
| 54 | 4RZT220023 | 螺 堵 | Screw plug | | | | 1 | | | | | | | | | | | | | | | | | | | | | | |
| 55 | 6R1Q220102 | 接 管 | Connecting tube | | | | | | | | | | | | | | | | | | 1 | | 1 | | | | | | |
| 56 | R070001 | 螺 塞 | Screw plug | 1 | 1 | | | 1 | 1 | 1 | 1 | 1 | 1 | 1 | 1 | 1 | 1 | 1 | 1 | 1 | 1 | | | | | | | | |
| 57 | 4R220100 -1 | 进气接管部件 | Inlet connecting tube subassembly | 1 | | | | 1 | 1 | | 1 | | | | | | | | | 1 | 1 | 1 | | | | | | | |
| 58 | 4RT220100 | 进气接管部件 | Inlet connecting tube subassembly | | 1 | | | | | | | | | | | | | | | | | | | | | | | | |
| 59 | 4RT4220100 | 进气接管部件 | Inlet connecting tube subassembly | | | 1 | | | | | | | | | | | | | | | | | | | | | | | |
| 60 | 4RG9220100 | 进气接管部件 | Inlet connecting tube subassembly | | | | | | | | | 1 | 1 | | | | | | | | | | | | | | | | |
| 61 | 4R1T220100 | 进气接管部件 | Inlet connecting tube subassembly | | | | | | | | | | | | | | 1 | | | | | | | | | | | | |
| (62) | 6R220100 | 进气接管部件 | Inlet connecting tube subassembly | | | | | | | | | | | | | | | | | | 1 | | | | | | | | |
| (63) | 6RD220100 -1 | 进气接管部件 | Inlet connecting tube subassembly | | | | | | | | | | | | | | | | | | | | | | | | | | 1 |

| 柴油机型号 Model | | | | R4100 | | | | | | | | R4105 | | | | | R6105 | | | | | | | | | | | | | | | | | | | | | | | | | | | | | | | | | | | | | | | |
|----------------|------------------------|---------------------|-----------------------------|----------------------|----|----|---|----|----|----|----|-------|----|----|---|----|-------|----|----|----|----|----|----|----|----|---|---|---|----|----|---|---|---|---|---|---|---|---|---|----|----|----|---|---|---|---|---|---|---|---|----|--|---|---|---|--|
| | | | | T | T4 | ZT | G | G4 | G8 | G9 | D1 | ZD1 | Z | T | G | G3 | P | Z | Q | Q1 | Q2 | P | | | | | | | | | | | | | | | | | | | | | | | | | | | | | | | | | | |
| 序号 Item | 零件代号 Part No. | 零件名称 Description | | 每台数量 Q'ty per set | | | | | | | | | | | | | | | | | | | | | | | | | | | | | | | | | | | | | | | | | | | | | | | | | | | | |
| 76 | M10 × 20 GB5783 | 全螺纹六角头螺栓 | Hex head full threaded bolt | | 4 | | | | 4 | 4 | | | | | | | | | | | | | | | | | | | | | | | | | | | | | | | | | | | | | | | | | | | | | | |
| 77 | M10 × 30 GB5783 | 全螺纹六角头螺栓 | Hex head full threaded bolt | | | | 4 | | | | | | | | | | | | | | | | | | | | | | | | | | | | | | | | | 11 | 11 | 11 | | | | | | | | | | | | | | |
| 78 | M10 × 35 GB5783 | 全螺纹六角头螺栓 | Hex head full threaded bolt | 8 | 8 | 4 | 4 | 8 | 8 | 4 | 4 | 8 | 8 | 8 | 8 | 8 | 8 | 8 | 8 | 8 | 8 | 8 | 8 | 12 | 10 | 4 | 4 | 4 | 4 | 12 | | | | | | | | | | | | | | | | | | | | | | | | | | |
| 79 | M10 × 40 GB5783 | 全螺纹六角头螺栓 | Hex head full threaded bolt | | | | | | | | | | | | | | | | | | | | | | | | | | | | | | | | | | | | | | 2 | | | | | | | | | | | | | | | |
| 80 | M8 × 45 GB5783 | 六角头螺栓 | Hexagon head bolt | | | | | | | | | | | | | | | | | | | | | | | | | | | | | | | | | | | | | | | 1 | 1 | | | | | | | | | | | | | |
| 81 | M10 × 90 GB5783 | 六角头螺栓 | Hexagon head bolt | | | | | | | | | | | | | | | | | | | | | | | | | | | | | | | | | | | | | | | | | | 1 | 1 | 1 | | | | | | | | | |
| 82 | M18 × 1.5 GB6171 | 六角螺母 | Hexagon nut | | | | | | | | | | | | | | | | | | | | | | | | | | | | | | | | | | | | | | | | | | | 1 | 1 | 1 | | | | | | | | |
| 83 | M8 GB6170 - 8 - H · Y | 六角螺母 | Hexagon nut | | | | | | | | | | | | | | | | | | | | | | | | | | | | | | | | | | | | | | | | | | | | 1 | 1 | 1 | | | | | | | |
| 84 | 8 GB848 - 140HV - ZnD | 小垫圈 | Small washer | 12 | 12 | 8 | 6 | 12 | 12 | 8 | 8 | 12 | 10 | 12 | 9 | 12 | 12 | 12 | 12 | 12 | 12 | 12 | 16 | 18 | | | | | | | | | | | | | | | | | | | | | | | | | | | 16 | | | | | |
| 85 | 10 GB848 - 140HV - ZnD | 小垫圈 | Small washer | 8 | 8 | 8 | 8 | 8 | 8 | 8 | 8 | 8 | 8 | 8 | 8 | 8 | 8 | 8 | 8 | 8 | 8 | 8 | 8 | 12 | 12 | 4 | 4 | 5 | 12 | | | | | | | | | | | | | | | | | | | | | | | | | | | |
| 86 | 18 GB848 - 140HV - ZnD | 小垫圈 | Small washer | | | | | | | | | | | | | | | | | | | | | | | | | | | | | | | | | | | | | | | | | | | | | | | | | | 1 | 1 | 1 | |
| 87 | 2 × 4 GB827 | 标牌铆钉 | Name plate rivet | 4 | 4 | 4 | 4 | 4 | 4 | 4 | 4 | 4 | 4 | 4 | 4 | 4 | 4 | 4 | 4 | 4 | 4 | 4 | 4 | 4 | 4 | 4 | 4 | 4 | 4 | 4 | 4 | 4 | 4 | 4 | 4 | 4 | 4 | 4 | 4 | 4 | 4 | 4 | 4 | 4 | 4 | 4 | 4 | 4 | 4 | 4 | 4 | | | | | |

排气系统



排气系统



8. 排气系统(排气管、消声器总成)

EXHAUST SYSTEM(EXHAUST MANIFOLD、SILENCER ASSEMBLY)

| 柴 油 机 型 号 Model | | | | R4100 | | | | | | | | | | R4105 | | | | | R6105 | | | | | | | | | | | | | | | | | | | | | | |
|--------------------|------------------|------------------------|--------------------------------------|-------------------------|----|----|---|----|----|----|----|-----|---|-------|---|---|---|----|-------|---|---|---|---|----|----|---|---|---|---|---|---|---|---|---|---|---|---|---|---|---|---|
| | | | | T | T4 | ZT | G | G4 | G8 | G9 | D1 | ZD1 | | | Z | T | G | G3 | P | | | Z | Q | Q1 | Q2 | P | | | | | | | | | | | | | | | |
| 序号 Item | 零件代号 Part No. | 零 件 名 称 Description | | 每 台 数 量 Q'ty per set | | | | | | | | | | | | | | | | | | | | | | | | | | | | | | | | | | | | | |
| 1 | 4R230001 | 排气管 | Exhaust manifold | 1 | 1 | 1 | | | | | | | | | | 1 | | 1 | | 1 | 1 | 1 | 1 | | | | | | | | | | | | | | | | | | |
| 2 | 4RZ230001 | 排气管 | Exhaust manifold | | | | | | | | | | | | | | | | 1 | | | | | | | | | | | | | | | | | | | | | | |
| (3) | 4RZT230001 | 排气管 | Exhaust manifold | | | | 1 | | | | | | | | | | | | | | | | | | | | | | | | | | | | | | | | | | |
| 4 | 4RG230001 | 排气管 | Exhaust manifold | | | | | 1 | 1 | | | | | | | | | | | | | | | | | | | | | | | | | | | | | | | | |
| (5) | 4RG9230001 | 排气管 | Exhaust manifold | | | | | | | 1 | 1 | | | | | | | | | | | | | | | | | | | | | | | | | | | | | | |
| 6 | 4RZD230001 | 排气管 | Exhaust manifold | | | | | | | | | | | 1 | | | | | | | | | | | | | | | | | | | | | | | | | | | |
| (7) | 6R230001 | 排气管 | Exhaust manifold | | | | | | | | | | | | | | | | | | | | | | | 1 | | 1 | 1 | | | | 1 | | | | | | | | |
| 8 | 6R1Q2230001 | 排气管 | Exhaust manifold | | | | | | | | | | | | | | | | | | | | | | | | | | | | | | | | | | | 1 | | | |
| 9 | 6RZ230001 | 排气管 | Exhaust manifold | | | | | | | | | | | | | | | | | | | | | | | | | | | | | | | | | | | 1 | | | |
| 10 | R230002 | 排气歧管垫片 | Exhaust manifold gasket | 4 | 4 | 4 | 4 | 4 | 4 | 4 | 4 | 4 | 4 | 4 | 4 | 4 | 4 | 4 | 4 | 4 | 4 | 4 | 4 | 4 | 4 | 4 | 4 | 4 | 4 | 4 | 4 | 4 | 4 | 4 | 4 | 6 | 6 | 6 | 6 | 6 | 6 |
| 11 | 4R230003 | 排气接管垫片 | Gasket, exhaust connecting pipe | 1 | 1 | 2 | | | | 1 | 1 | 1 | | | 1 | | 1 | 1 | 1 | 1 | 1 | 1 | | | | | | | | | | | | | | | | | | | |
| 12 | 4RZD730001 | 增压器垫片 | Turbocharger gasket | | | | | | | | | | | | 1 | | | | | | | | | | | | | | | | | | | | | | | | | | |
| (13) | 6R230003 | 排气接管垫片 | Gasket, exhaust connecting pipe | | | | | | | | | | | | | | | | | | | | 1 | | | | | | | | | | | | | 1 | 1 | 1 | 1 | 1 | |
| 14 | 4RZ230004 | 增压器排气接管 | Turbocharger exhaust connecting pipe | | | | | | | | | | | | | | | | | | | | | | | | | | | | | | | | | | | | 1 | | |

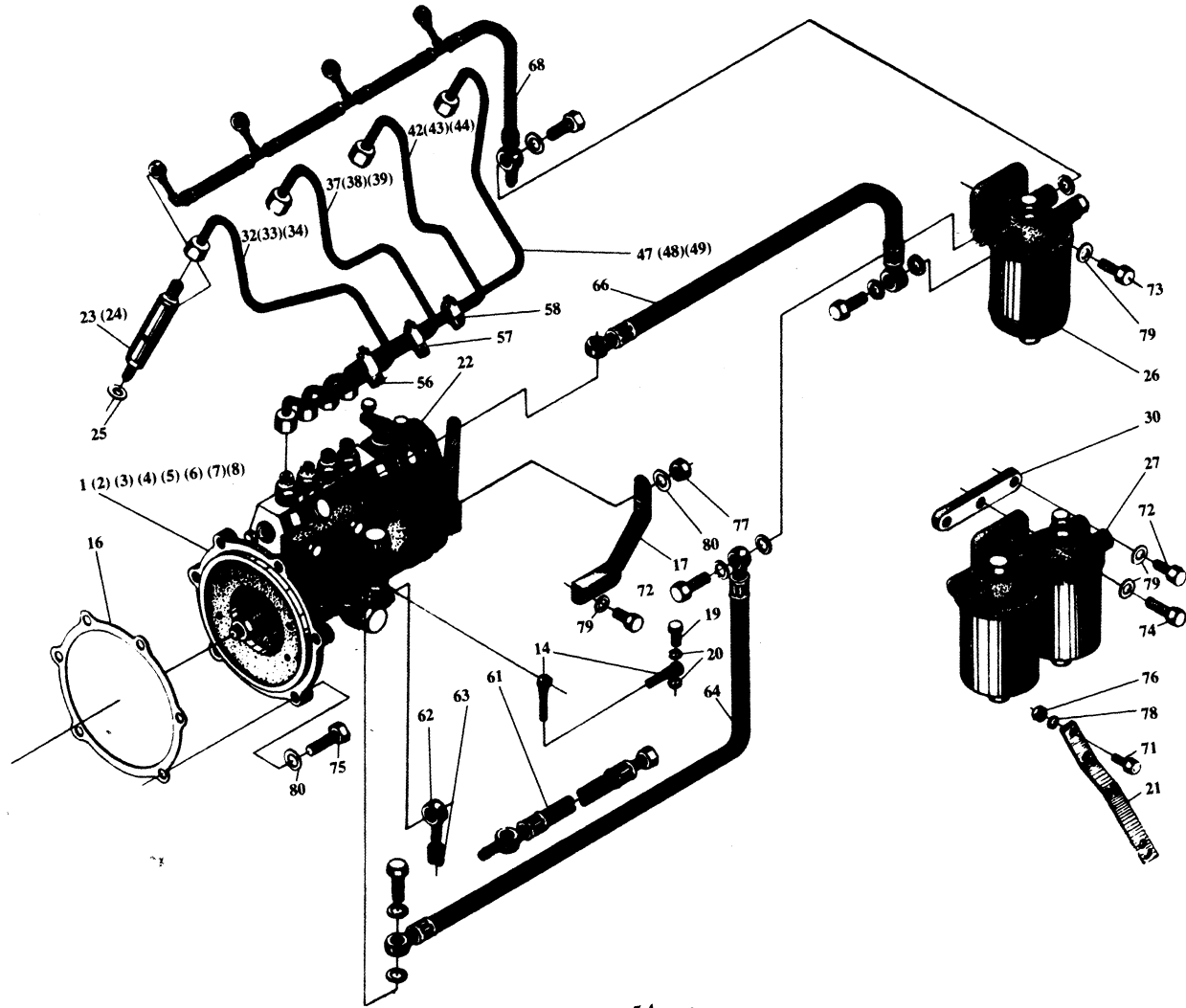
| 柴油机型号 Model | | | | R4100 | | | | | | | R4105 | | | | | R6105 | | | | | | | | | |
|----------------|------------------|---------------------|--------------------------------------|----------------------|----|----|---|----|----|----|-------|-----|---|---|---|-------|---|---|---|----|----|---|---|---|---|
| | | | | T | T4 | ZT | G | G4 | G8 | G9 | D1 | ZD1 | Z | T | G | G3 | P | Z | Q | Q1 | Q2 | P | | | |
| 序号 Item | 零件代号 Part No. | 零件名称 Description | | 每台数量 Q'ty per set | | | | | | | | | | | | | | | | | | | | | |
| 15 | 6R1Z230101 | 增压器排气接管 | Turbocharger exhaust connecting pipe | | | | | | | | | | | | | | | | | 1 | | | | | |
| 16 | 495-08002 | 排气接管 | Exhaust elbow | 1 | | 1 | | | | | | | 1 | 1 | | | | | | 1 | 1 | | | | |
| 17 | 4RT230004-1 | 排气接管 | Exhaust elbow | | 1 | | | | | | | | | | | | | | | | | | | | |
| 18 | 4R1T230004 | 排气接管 | Exhaust elbow | | | | | | | | | | | | 1 | | | | | | | | | | |
| 19 | 6R230004 | 排气接管 | Exhaust elbow | | | | | | | | | | | | | | | | | 1 | | | | | 1 |
| 20 | 6R1Q230004 | 排气接管 | Exhaust elbow | | | | | | | | | | | | | | | | | | | 1 | 1 | | |
| (21) | 6R1Q2230004 | 排气接管 | Exhaust elbow | | | | | | | | | | | | | | | | | | | | | 1 | |
| 22 | 4RG230021 | 上隔热板 | Upper heat insulation plate | | | | 1 | | | | | | | | | | | | | | | | | | |
| 23 | 4RG230022 | 侧隔热板 | Side heat insulation plate | | | | 1 | | | | | | | | | | | | | | | | | | |
| 24 | 4RG9230023 | 盖板 | Cover plate | | | | | | 1 | 1 | | | | | | | | | | | | | | | |
| 25 | 4RT4230024 | 排气管过渡板 | Transition plate | | | 1 | | | | | | | | | | | | | | | | | | | |
| 26 | 4RZD230102 | 排气接管 | Exhaust connecting pipe | | | | | | | | | | | | | | | | | | | | 1 | | |
| 27 | 4RZD230104 | 排气弯管 | Exhaust elbow | | | | | | | | | | | | | | | | | | | | 1 | | |
| 28 | 4RG240001 | 卡圈 | Clamp | | | | 1 | | | | | | | | | | | | | | 1 | 1 | | | |
| (29) | 6R240001 | 卡圈 | Clamp | | | | | | | | | | | | | | | | | | | 1 | | | 1 |
| (30) | 4RT240021 | 卡圈 | Clamp | | 1 | 1 | | | | | | | | | | | | | | | | | | | |
| 31 | 4RZT240021 | 卡圈 | Clamp | | | | 1 | | | | | | | | | | | | | | | | | | |

| 柴油机型号 Model | | | R4100 | | | | | | | | R4105 | | | | | R6105 | | | | |
|----------------|------------------|---------------------|-------------------------|----|----|---|----|----|----|----|-------|---|---|---|----|-------|---|---|----|----|
| | | | T | T4 | ZT | G | G4 | G8 | G9 | D1 | ZD1 | Z | T | G | G3 | P | Z | Q | Q1 | Q2 |
| 序号 Item | 零件代号 Part No. | 零件名称 Description | 每台数量 Q'ty per set | | | | | | | | | | | | | | | | | |
| 32 | 4RZT240022 | 消声器出气管 | Silencer exhaust pipe | | | 1 | | | | | | | | | | | | | | |
| 33 | 4RZT240023 | 消声器进气管 | Silencer inlet pipe | | | 1 | | | | | | | | | | | | | | |
| 34 | 4RZT240024 | 消声器后支架 | Silencer rear support | | | 1 | | | | | | | | | | | | | | |
| 35 | 4RZT240025 | 消声器前支架 | Silencer front support | | | 1 | | | | | | | | | | | | | | |
| 36 | 4RZT240026 | 消声器夹箍 | Silencer clamp | | | 1 | | | | | | | | | | | | | | |
| 37 | 4RG4240027 | 排气管接口垫 | Exhaust manifold gasket | | | | | | | 1 | | | | | | | | | | |
| 38 | 4RG4240028 | 消声器固定法兰 | Fixed flange, silencer | | | | | | | 1 | | | | | | | | | | |
| 39 | 495 - 080101 | 下卡圈 | Lower clamp | 1 | 1 | 1 | | | | 1 | 1 | | | | | | 1 | | | |
| 40 | 4R240100 | 消声器部件 | Silencer subassembly | 1 | 1 | 1 | | | | 1 | 1 | | | | | | 1 | | | |
| 41 | 4RZT240100 | 消声器部件 | Silencer subassembly | | | 1 | | | | | | | | | | | | | | |
| 42 | 4RG240100 | 消声器部件 | Silencer subassembly | | | | 1 | | | | | | | | 1 | 1 | | | | |
| 43 | 4RG4240100 | 消声器部件 | Silencer subassembly | | | | | 1 | | | | | | | | | | | | |
| 44 | 4RZ240100 | 消声器部件 | Silencer subassembly | | | | | | | 1 | 1 | | | | | | | | | 1 |
| (45) | 6R240100 | 消声器部件 | Silencer subassembly | | | | | | | | | | | | | | 1 | | | |
| 46 | 4R240201 | 消声器防雨帽 | Silencer waterproof cap | 1 | 1 | 1 | | | | 1 | 1 | | | | | | 1 | | | |
| 47 | 4R240202 | 防雨帽支架 | Support, waterproof cap | 1 | 1 | 1 | | | | 1 | 1 | | | | | | 1 | | | |
| 48 | 4R240203 | 垫圈 | Washer | 1 | 1 | 1 | | | | 1 | 1 | | | | | | 1 | | | |
| 49 | 4RT241100 | 尾管部件 | Tail pipe subassembly | | 1 | 1 | | | | | | | | | | | | | | |

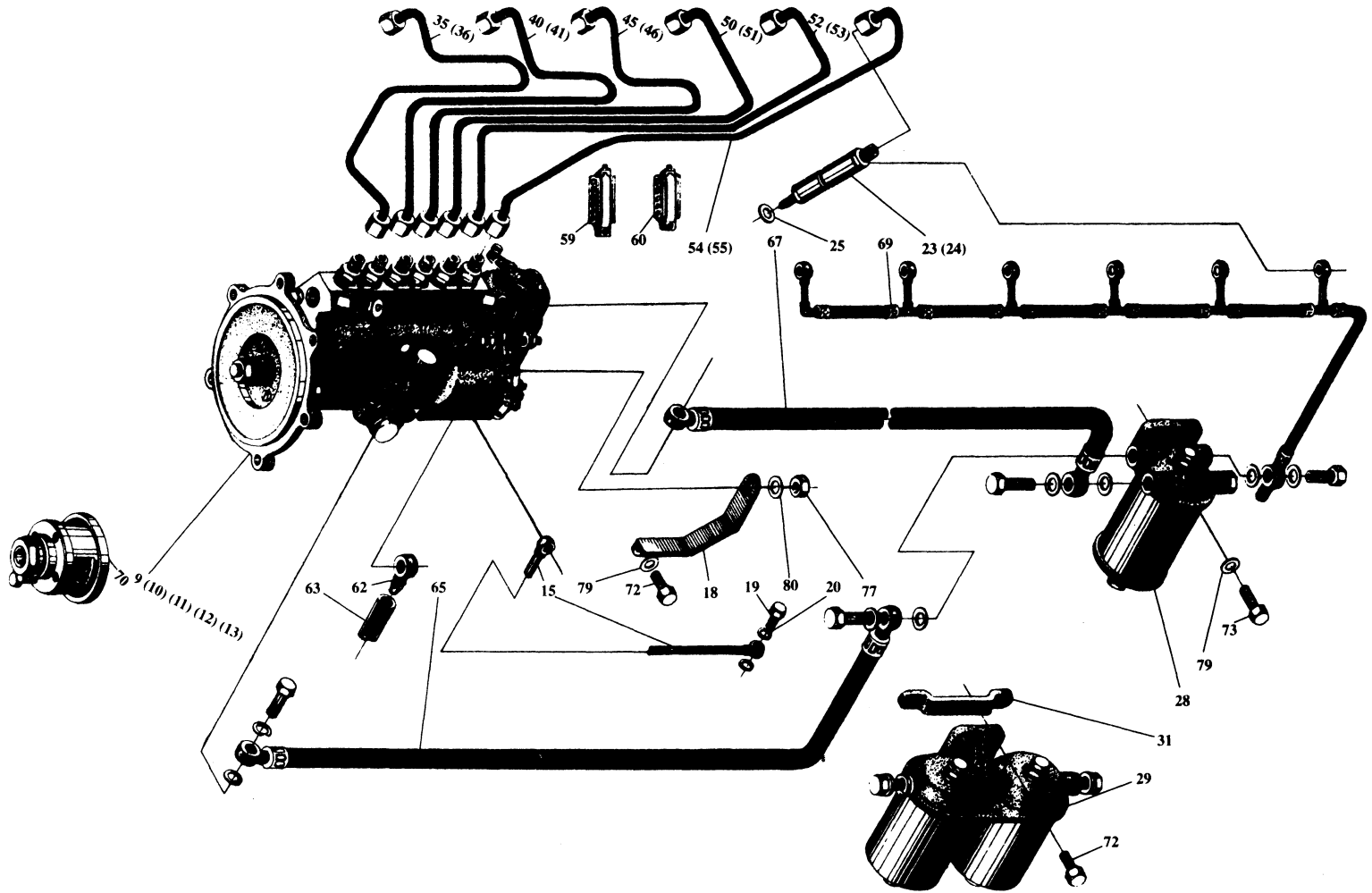
| 柴油机型号 Model | | | | R4100 | | | | | | | | R4105 | | | | | R6105 | | | | | | | | | |
|----------------|------------------|---------------------|--|-------------------------|----|----|---|----|----|----|----|-------|---|---|---|----|-------|---|---|----|----|----|----|----|----|----|
| | | | | T | T4 | ZT | G | G4 | G8 | G9 | D1 | ZD1 | Z | T | G | G3 | P | Z | Q | Q1 | Q2 | P | | | | |
| 序号 Item | 零件代号 Part No. | 零件名称 Description | | 每 台 数 量 Q'ty per set | | | | | | | | | | | | | | | | | | | | | | |
| 50 | 4RZT241201 | 消声器尾管支架焊 合件 | Tail pipe support weld- ing subassembly | | | 1 | | | | | | | | | | | | | | | | | | | | |
| 51 | M8 × 20 GB5783 | 全螺纹六角头螺栓 | Hex head fully threaded bolt | | | 2 | | | 4 | 4 | | | | | | | | | | | | | | | | |
| 52 | M8 × 21 GB5783 | 全螺纹六角头螺栓 | Hex head fully threaded bolt | 4 | 2 | | | | | | 4 | 4 | 4 | 4 | 4 | 4 | | | | | | | | | | |
| 53 | M10 × 15 GB5783 | 全螺纹六角头螺栓 | Hex head fully threaded bolt | | | | | 7 | 2 | | | | | | | | | | | | | | | | | |
| 54 | M10 × 20 GB5783 | 全螺纹六角头螺栓 | Hex head fully threaded bolt | | 2 | 2 | 2 | | | | | | | | | | | | | | | | | | | |
| 55 | M10 × 25 GB5783 | 全螺纹六角头螺栓 | Hex head fully threaded bolt | | | | | | | 3 | | | | | | | | | | | | | | | | |
| 56 | M10 × 30 GB5783 | 全螺纹六角头螺栓 | Hex head fully threaded bolt | | | | 1 | | | | | | | | | | | | 4 | | | | | | | |
| 57 | M10 × 35 GB5783 | 全螺纹六角头螺栓 | Hex head fully threaded bolt | 8 | 8 | 8 | 4 | 8 | 8 | 8 | 8 | 8 | 8 | 8 | 8 | 4 | 8 | 8 | 8 | 8 | 14 | 12 | 14 | 14 | 16 | 14 |
| 58 | M12 × 20 GB5783 | 全螺纹六角头螺栓 | Hex head fully threaded bolt | | | | 1 | | | | | | | | | | | | | | | | | | | |
| 59 | M8 × 55 GB5783 | 六角头螺栓 | Hex head bolt | | | 4 | | | | | | | | | | | | | | | | | | | | |
| 60 | M8 × 65 GB5782 | 六角头螺栓 | Hex head bolt | | 2 | | | | | | | | | | | | | | | | | | | | | |
| 61 | M10 × 50 GB5782 | 六角头螺栓 | Hex head bolt | | | | | | | 3 | | | | | | | | | | | | | | | | |

| 柴油机型号 Model | | R4100 | | | | | | | | | | R4105 | | | | | R6105 | | | | | | | | |
|----------------|----------------------------|---------------------|-----------------------|----------------------|----|----|----|----|----|-----|---|-------|----|----|----|---|-------|---|----|----|----|----|----|----|----|
| | | T | T4 | ZT | G | G4 | G8 | G9 | D1 | ZD1 | | Z | T | G | G3 | P | | Z | Q | Q1 | Q2 | P | | | |
| 序号 Item | 零件代号 Part No. | 零件名称 Description | | 每台数量 Q'ty per set | | | | | | | | | | | | | | | | | | | | | |
| 62 | M10 × 70 GB5782 | 六角头螺栓 | Hex head bolt | | | 4 | 1 | | | | | | | 4 | | 1 | 1 | | | | 2 | | | | |
| 63 | M10 × 80 GB5782 | 六角头螺栓 | Hex head bolt | 1 | 2 | 2 | | | | | 1 | 1 | | | | | 1 | | | | | | | | |
| 64 | M10 × 85 GB5782 | 六角头螺栓 | Hex head bolt | | | | | | | | | | | | | | | | | 2 | | | | | 2 |
| 65 | M10 × 90 GB5782 | 六角头螺栓 | Hex head bolt | | | | | | | | 1 | | | | | | | | | 1 | | | | | |
| 66 | M10 × 40 GB5784 - A2 - 70 | 六角头螺栓 | Hex head bolt | | | | | | | | | | | | | | | | | 4 | | | | | |
| 67 | AM10 × 25 GB898 - A2 - 70 | 双头螺柱 | Stud | | | 4 | | | | | | | | 6 | | | | | | | | | | | |
| 68 | AM10 × 110 GB898 - A2 - 70 | 双头螺柱 | Stud | | | | | | | | 4 | | | | | | | | | | | | | | |
| 69 | M8 GB6170 - 8 - H · Y | 六角螺母 | Hex nut | | | 2 | | | | | | | | | | | | | | | | | | | |
| 70 | M10 GB6172 - H · Y | 六角螺母 | Hex nut | 1 | 1 | 1 | 1 | 1 | 3 | | 1 | 1 | | | | 1 | 1 | 1 | 1 | | | | | | |
| 71 | M10 GB6170 - A2 - 70 | 六角螺母 | Hex nut | | | 4 | | | | | 4 | 6 | | | | | | | | | | | | | |
| 72 | M10 GB6172 - H · Y | 六角薄螺母 | Thin hex nut | | 1 | 1 | | | | | 1 | | | | | | | | | | | | | | 1 |
| 73 | 4 × 10 GB867 | 半圆头铆钉 | Button head cap screw | 2 | 2 | 2 | | | | | 2 | 2 | | | | | | | 2 | | | | | | |
| 74 | 10 GB97.1 - 140HV - ZnD | 平垫圈 | Plain washer | | | | 2 | | | | | | | | | | 2 | 2 | | | | | | | |
| 75 | 8 GB848 - 140HV - ZnD | 小垫圈 | Small washer | 4 | 4 | 4 | | | | 4 | 4 | 4 | | 4 | | 4 | 4 | 4 | 4 | | | | | | |
| 76 | 10 GB848 - 140HV - ZnD | 小垫圈 | Small washer | 10 | 12 | 12 | 11 | 15 | 16 | 8 | 8 | 10 | 13 | 10 | 8 | 8 | 8 | 8 | 10 | 18 | | 16 | 16 | 16 | 18 |
| 77 | 12 GB848 - 140HV - ZnD | 小垫圈 | Small washer | | | 1 | | | | | | | | | | | | | | | | | | | |
| 78 | 10 GB848 - A140 | 小垫圈 | Small washer | | | | 4 | | | | | 4 | 6 | | | | | | | | | | | | |

燃油系统



燃油系统



9. 燃油系统

(喷油泵、喷油器、柴油滤清器、高压油管、低压油管、供油角度提高器总成)

FUEL SYSTEM

(FUEL INJECTION PUMP, INJECTOR, FUEL FILTER, HIGH PRESSURE FUEL PIPE, LOW PRESSURE FUEL PIPE, INJECTION ADVANCE DEVICE ASSEMBLY)

| 柴油机型号 Model | | R4100 | | | | | | | | | | R4105 | | | | | R6105 | | | | | | | | | | | | | | | | | | | | | | | | | | | | | | |
|----------------|------------------------------------|---------------------|----------------------------------|----------------------|---|----|----|----|----|-----|---|-------|---|----|---|---|-------|----|----|---|--|--|--|--|--|--|--|--|--|--|--|--|--|--|--|--|--|--|--|--|--|--|--|--|--|--|--|
| | | T | T4 | ZT | G | G4 | G8 | G9 | D1 | ZD1 | Z | T | G | G3 | P | Z | Q | Q1 | Q2 | P | | | | | | | | | | | | | | | | | | | | | | | | | | | |
| 序号 Item | 零件代号 Part No. | 零件名称 Description | | 每台数量 Q'ty per set | | | | | | | | | | | | | | | | | | | | | | | | | | | | | | | | | | | | | | | | | | | |
| 1 | 4R310100 - A | 喷油泵部件 | Fuel injection pump sub-assembly | 1 | 1 | 1 | | | | | | | | | | | 1 | | | | | | | | | | | | | | | | | | | | | | | | | | | | | | |
| (2) | 4RZ310100 - A | 喷油泵部件 | Fuel injection pump sub-assembly | | | | | | | | | | | | | | | 1 | | | | | | | | | | | | | | | | | | | | | | | | | | | | | |
| (3) | 4RZT310100 - A | 喷油泵部件 | Fuel injection pump sub-assembly | | | | 1 | | | | | | | | | | | | | | | | | | | | | | | | | | | | | | | | | | | | | | | | |
| (4) | 4RG310100 - A (10 400 874 007) | 喷油泵部件 | Fuel injection pump sub-assembly | | | | | | | | | | | | | | | | | | | | | | | | | | | | | | | | | | | | | | | | | | | | |
| (5) | 4RG9310100 - A (10 400 874 008) | 喷油泵部件 | Fuel injection pump sub-assembly | | | | | | | | | | | | | | | | | | | | | | | | | | | | | | | | | | | | | | | | | | | | |
| 6 | 4RD310100 - A1 | 喷油泵部件 | Fuel injection pump sub-assembly | | | | | | | | | | | | | | | | | | | | | | | | | | | | | | | | | | | | | | | | | | | | |
| (7) | 4RZD310100 - A1 | 喷油泵部件 | Fuel injection pump sub-assembly | | | | | | | | | | | | | | | | | | | | | | | | | | | | | | | | | | | | | | | | | | | | |
| (8) | 4R1T310100 - A (10 400 874 009) | 喷油泵部件 | Fuel injection pump sub-assembly | | | | | | | | | | | | | | | | | | | | | | | | | | | | | | | | | | | | | | | | | | | | |

| 柴油机型号 Model | | R4100 | | | | | | | | | R4105 | | | | | R6105 | | | | | | | | | | | | | |
|----------------|----------------------------|---------------------|---|----------------------|---|----|----|----|----|-----|-------|---|---|----|---|-------|---|----|----|---|---|---|---|---|---|---|---|---|---|
| | | T | T4 | ZT | G | G4 | G8 | G9 | D1 | ZD1 | Z | T | G | G3 | P | Z | Q | Q1 | Q2 | P | | | | | | | | | |
| 序号 Item | 零件代号 Part No. | 零件名称 Description | | 每台数量 Q'ty per set | | | | | | | | | | | | | | | | | | | | | | | | | |
| 21 | 4R1T310021 | 油门拉架 | Fuel controlling pull rod | | | | | | | | | | | | | 1 | 1 | | | | 1 | | | 1 | | | | | |
| 22 | 495 - 10002 | 密封套筒 | Sealed sleeve | 1 | 1 | 1 | 1 | 1 | 1 | 1 | 1 | 1 | | | | | 1 | 1 | 1 | 1 | 1 | 1 | 1 | 1 | 1 | 1 | 1 | 1 | 1 |
| 23 | R320100 (LRB6702606) | 喷油器部件 | Injector subassembly | 4 | 4 | 4 | | 4 | 4 | 4 | 4 | 4 | | | | | | | | | | | | | | | | | |
| (24) | R1320100 (LRB6702608) | 喷油器部件 | Injector subassembly | | | | 4 | | | | | | 4 | 4 | 4 | 4 | 4 | 4 | 4 | 4 | 4 | 6 | 6 | 6 | 6 | 6 | 6 | 6 | |
| 25 | R320001 | 喷油器密封垫 | Injector seal gasket | 4 | 4 | 4 | 4 | 4 | 4 | 4 | 4 | 4 | 4 | 4 | 4 | 4 | 4 | 4 | 4 | 4 | 4 | 6 | 6 | 6 | 6 | 6 | 6 | 6 | 6 |
| 26 | 4R330100 (CS0708B1) | 柴油滤清器部件 | Fuel filter subassembly | 1 | 1 | | 1 | 1 | 1 | 1 | 1 | 1 | 1 | 1 | 1 | | | 1 | 1 | 1 | | | | | | | | | |
| 27 | 4R1T330100 - A (C0708S) | 柴油滤清器部件 | Fuel filter subassembly | | | 1 | | | | | | | | | | | | 1 | | | | | | | | | | | |
| 28 | 6R330100 (CS0712B1) | 柴油滤清器部件 | Fuel filter subassembly | | | | | | | | | | | | | | | | | | | 1 | 1 | | | | | | 1 |
| 29 | 6R1Q330100 (C0810S) | 柴油滤清器部件 | Fuel filter subassembly | | | | | | | | | | | | | | | | | | | | | | | | 1 | 1 | 1 |
| 30 | 4RT4330021 | 柴滤支架 | Fuel filter support | | | 1 | | | | | | | | | | | | | | | | | | | | | | | |
| 31 | 6R1Q330021 | 柴滤支架 | Fuel filter support | | | | | | | | | | | | | | | | | | | | | | | | 1 | 1 | 1 |
| 32 | 4R340100 - A | 第一缸高压油管部件 | High pressure fuel pipe subassembly, cylinder 1 | 1 | | | | 1 | 1 | | | | 1 | 1 | 1 | 1 | 1 | 1 | 1 | 1 | | | | | | | | | |

| 柴 油 机 型 号 Model | | R4100 | | | | | | | | | | | | R4105 | | | | | R6105 | | | | | | |
|--------------------|------------------|-------------------------|---|----|---|----|----|----|----|-----|--|---|---|-------|----|---|---|---|-------|----|----|---|--|--|---|
| | | T | T4 | ZT | G | G4 | G8 | G9 | D1 | ZD1 | | Z | T | G | G3 | P | | Z | Q | Q1 | Q2 | P | | | |
| | | 每 台 数 量 Q'ty per set | | | | | | | | | | | | | | | | | | | | | | | |
| 序号 Item | 零件代号 Part No. | 零 件 名 称 Description | | | | | | | | | | | | | | | | | | | | | | | |
| (33) | 4RT340100 - A | 第一缸高压油管部件 | High pressure fuel pipe subassembly, cylinder 1 | 1 | | | | | | | | | | | | | | | | | | | | | |
| (34) | 4RG9340100 - A | 第一缸高压油管部件 | High pressure fuel pipe subassembly, cylinder 1 | | 1 | 1 | | | 1 | 1 | | | | | | | | | | | | | | | |
| 35 | 6R340100 - A | 第一缸高压油管部件 | High pressure fuel pipe subassembly, cylinder 1 | | | | | | | | | | | | | | | 1 | 1 | | | | | | 1 |
| (36) | 6R1Q340100 - A | 第一缸高压油管部件 | High pressure fuel pipe subassembly, cylinder 1 | | | | | | | | | | | | | | | | 1 | 1 | 1 | | | | |
| 37 | 4R340200 - A | 第二缸高压油管部件 | High pressure fuel pipe subassembly, cylinder 2 | 1 | | | | 1 | 1 | | | 1 | 1 | 1 | 1 | 1 | 1 | 1 | 1 | 1 | | | | | |
| (38) | 4RT340200 - A | 第二缸高压油管部件 | High pressure fuel pipe subassembly, cylinder 2 | | 1 | | | | | | | | | | | | | | | | | | | | |
| (39) | 4RG9340200 - A | 第二缸高压油管部件 | High pressure fuel pipe subassembly, cylinder 2 | | 1 | 1 | | | 1 | 1 | | | | | | | | | | | | | | | |
| 40 | 6R340200 - A | 第二缸高压油管部件 | High pressure fuel pipe subassembly, cylinder 2 | | | | | | | | | | | | | | | 1 | 1 | | | | | | 1 |

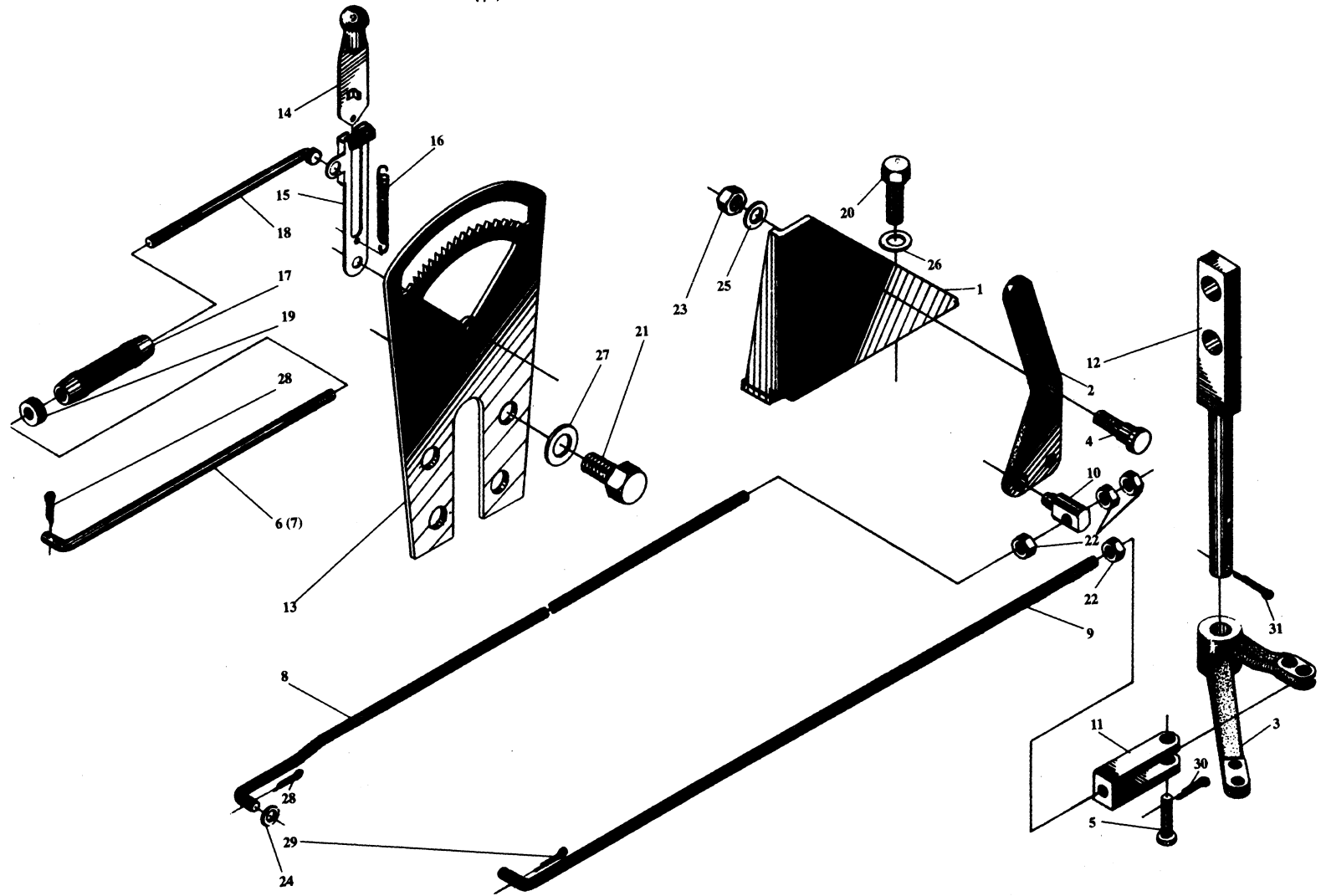
| 柴油机型号 Model | | | R4100 | | | | | | | | R4105 | | | | | R6105 | | | | | | | | | | | | | | | | |
|----------------|------------------|--|----------------------|----|----|---|----|----|----|----|-------|---|---|---|---|-------|---|---|---|----|----|---|---|---|--|--|--|--|---|---|---|---|
| | | | T | T4 | ZT | G | G4 | G8 | G9 | D1 | ZD1 | | Z | T | G | G3 | P | Z | Q | Q1 | Q2 | P | | | | | | | | | | |
| 序号 Item | 零件代号 Part No. | 零件名称 Description | 每台数量 Q'ty per set | | | | | | | | | | | | | | | | | | | | | | | | | | | | | |
| (41) | 6R1Q340200 - A | 第二缸高压油管部件 High pressure fuel pipe subassembly, cylinder 2 | | | | | | | | | | | | | | | | | | | | 1 | 1 | 1 | | | | | | | | |
| 42 | 4R340300 - A | 第三缸高压油管部件 High pressure fuel pipe subassembly, cylinder 3 | 1 | | | | 1 | 1 | | | 1 | 1 | 1 | 1 | 1 | 1 | 1 | 1 | 1 | | | | | | | | | | | | | |
| (43) | 4RT340300 - A | 第三缸高压油管部件 High pressure fuel pipe subassembly, cylinder 3 | | 1 | | | | | | | | | | | | | | | | | | | | | | | | | | | | |
| (44) | 4RG9340300 - A | 第三缸高压油管部件 High pressure fuel pipe subassembly, cylinder 3 | | | 1 | 1 | | | | 1 | 1 | | | | | | | | | | | | | | | | | | | | | |
| 45 | 6R340300 - A | 第三缸高压油管部件 High pressure fuel pipe subassembly, cylinder 3 | | | | | | | | | | | | | | | | | | | | 1 | 1 | | | | | | 1 | | | |
| (46) | 6R1Q340300 - A | 第三缸高压油管部件 High pressure fuel pipe subassembly, cylinder 3 | | | | | | | | | | | | | | | | | | | | | | | | | | | | 1 | 1 | 1 |
| 47 | 4R340400 - A | 第四缸高压油管部件 High pressure fuel pipe subassembly, cylinder 4 | 1 | | | | 1 | 1 | | | 1 | 1 | 1 | 1 | 1 | 1 | 1 | 1 | 1 | | | | | | | | | | | | | |
| (48) | 4RT340400 - A | 第四缸高压油管部件 High pressure fuel pipe subassembly, cylinder 4 | | 1 | | | | | | | | | | | | | | | | | | | | | | | | | | | | |

| 柴油机型号 Model | | | R4100 | | | | | | | | R4105 | | | | | R6105 | | | | | | | | | | |
|----------------|------------------|--|----------------------|----|----|---|----|----|----|----|-------|---|---|---|----|-------|---|---|----|----|---|---|---|---|---|---|
| | | | T | T4 | ZT | G | G4 | G8 | G9 | D1 | ZD1 | Z | T | G | G3 | P | Z | Q | Q1 | Q2 | P | | | | | |
| 序号 Item | 零件代号 Part No. | 零件名称 Description | 每台数量 Q'ty per set | | | | | | | | | | | | | | | | | | | | | | | |
| (49) | 4RC9340400 - A | 第四缸高压油管部件 High pressure fuel pipe subassembly, cylinder 4 | | | 1 | 1 | | | | 1 | 1 | | | | | | | | | | | | | | | |
| 50 | 6R340400 - A | 第四缸高压油管部件 High pressure fuel pipe subassembly, cylinder 4 | | | | | | | | | | | | | | | | 1 | 1 | | | | | | | 1 |
| (51) | 6R1Q340400 - A | 第四缸高压油管部件 High pressure fuel pipe subassembly, cylinder 4 | | | | | | | | | | | | | | | | | | 1 | 1 | 1 | | | | |
| 52 | 6R340800 - A | 第五缸高压油管部件 High pressure fuel pipe subassembly, cylinder 5 | | | | | | | | | | | | | | | | 1 | 1 | | | | | | | 1 |
| (53) | 6R1Q340800 - A | 第五缸高压油管部件 High pressure fuel pipe subassembly, cylinder 5 | | | | | | | | | | | | | | | | | | 1 | 1 | 1 | | | | |
| 54 | 6R340900 - A | 第六缸高压油管部件 High pressure fuel pipe subassembly, cylinder 6 | | | | | | | | | | | | | | | | 1 | 1 | | | | | | | 1 |
| (55) | 6R1Q340900 - A | 第六缸高压油管部件 High pressure fuel pipe subassembly, cylinder 6 | | | | | | | | | | | | | | | | | | 1 | 1 | 1 | | | | |
| 56 | 4R340500 | 四管管夹部件 Pipe clamp subassembly for No. 4 | 1 | 1 | 1 | 1 | 1 | 1 | 1 | 1 | 1 | 1 | 1 | 1 | 1 | 1 | 1 | 1 | 1 | 1 | 1 | 1 | 1 | 1 | 1 | 1 |

| 柴油机型号 Model | | | | R4100 | | | | | | | | R4105 | | | | | R6105 | | | | | | | | | | | | | | | | | | |
|----------------|------------------|---------------------|--|----------------------|----|----|---|----|----|----|----|-------|---|---|---|----|-------|---|---|----|----|---|---|---|---|---|---|---|---|---|---|---|---|---|---|
| | | | | T | T4 | ZT | G | G4 | G8 | G9 | D1 | ZD1 | Z | T | G | G3 | P | Z | Q | Q1 | Q2 | P | | | | | | | | | | | | | |
| 序号 Item | 零件代号 Part No. | 零件名称 Description | | 每台数量 Q'ty per set | | | | | | | | | | | | | | | | | | | | | | | | | | | | | | | |
| 57 | 4R340600 | 三管管夹部件 | Pipe clamp subassembly for No.3 | 1 | 1 | 1 | 1 | 1 | 1 | 1 | 1 | 1 | 1 | 1 | 1 | 1 | 1 | 1 | 1 | 1 | 1 | 1 | 1 | 1 | 1 | 1 | 1 | 1 | 1 | 1 | 1 | 1 | | | |
| 58 | 4R340700 | 二管管夹部件 | Pipe clamp subassembly for No.2 | 1 | 1 | 1 | 1 | 1 | 1 | 1 | 1 | 1 | 1 | 1 | 1 | 1 | 1 | 1 | 1 | 1 | 1 | 1 | 1 | 1 | 1 | 1 | 1 | 1 | 1 | 1 | 1 | 1 | | | |
| 59 | 6R1Q341100 | 六管管夹部件 | Pipe clamp subassembly for No.6 | | | | | | | | | | | | | | | | | | | | | | | | | | | | | | | | |
| 60 | 6R1Q341200 | 五管管夹部件 | Pipe clamp subassembly for No.5 | | | | | | | | | | | | | | | | | | | | | | | | | | | | | | | | |
| 61 | 4R1T350100 | 输油泵进油管部件 | Fuel inlet delivery pipe subassembly, fuel supply pump | | | 1 | | | | | | | | | | | | | 1 | | 1 | | | | | | | | | | | | | | |
| 62 | 4R350101 | 接头圈 | Connector ring | 1 | | | | 1 | 1 | | | 1 | 1 | 1 | 1 | 1 | 1 | | 1 | | 1 | 1 | 1 | 1 | 1 | 1 | 1 | 1 | 1 | 1 | 1 | 1 | | | |
| 63 | 4R350102 | 塑料管 | Plastic tube | 1 | | | | | | | | | 1 | 1 | 1 | 1 | | | | | 1 | 1 | 1 | 1 | 1 | 1 | 1 | 1 | 1 | 1 | 1 | 1 | | | |
| 64 | 4R350200 | 滤清器进油管部件 | Fuel inlet delivery pipe, fuel filter | 1 | 1 | 1 | 1 | 1 | 1 | 1 | 1 | 1 | 1 | 1 | 1 | 1 | 1 | 1 | 1 | 1 | | | | | | | | | | | | | | | |
| 65 | 6R350200 | 滤清器进油管部件 | Fuel inlet delivery pipe, fuel filter | | | | | | | | | | | | | | | | | | | | | | | | | 1 | 1 | 1 | 1 | 1 | 1 | | |
| 66 | 4R350300 | 喷油泵进油管部件 | Fuel inlet delivery pipe, injection pump | 1 | 1 | 1 | 1 | 1 | 1 | 1 | 1 | 1 | 1 | 1 | 1 | 1 | 1 | 1 | 1 | 1 | 1 | | | | | | | | | | | | | | |
| 67 | 6R350300 | 喷油泵进油管部件 | Fuel inlet delivery pipe, injection pump | | | | | | | | | | | | | | | | | | | | | | | | | | | | 1 | 1 | 1 | 1 | 1 |
| 68 | 4R350400 | 喷油嘴回油管部件 | Fuel drain delivery pipe, injector | 1 | 1 | 1 | 1 | 1 | 1 | 1 | 1 | 1 | 1 | 1 | 1 | 1 | 1 | 1 | 1 | 1 | 1 | | | | | | | | | | | | | | |

| 柴 油 机 型 号 Model | | | R4100 | | | | | | | | | R4105 | | | | | R6105 | | | | | | | | | | | |
|--------------------|-------------------------|--|-------------------------|----|----|---|----|----|----|----|-----|-------|---|---|----|---|-------|---|----|----|---|---|---|---|---|---|---|---|
| | | | T | T4 | ZT | G | G4 | G8 | G9 | D1 | ZD1 | Z | T | G | G3 | P | Z | Q | Q1 | Q2 | P | | | | | | | |
| 序号 Item | 零件代号 Part No. | 零件名称 Description | 每 台 数 量 Q'ty per set | | | | | | | | | | | | | | | | | | | | | | | | | |
| 69 | 6R350400 | 喷油嘴回油管部件 Fuel drain delivery pipe, injector | | | | | | | | | | | | | | | | | | | 1 | 1 | 1 | 1 | 1 | 1 | | |
| 70 | 6RQ360000 | 喷油泵提前器总成 Injection advance device assembly | | | | | | | | | | | | | | | | | | | | | | | 1 | 1 | 1 | |
| 71 | M6 × 16 GB5783 - ZnD | 全螺纹六角头螺栓 Hex head fully threaded bolt | | | | | | | 2 | 2 | | | | | | 2 | 2 | | | | | | | | | | | |
| 72 | M8 × 20 GB5783 - ZnD | 全螺纹六角头螺栓 Hex head fully threaded bolt | 2 | 2 | 3 | 2 | 2 | 2 | 2 | 2 | 2 | 2 | 2 | 2 | 2 | 2 | 2 | 2 | 2 | 2 | 2 | 2 | 2 | 4 | 4 | 4 | 2 | |
| 73 | M8 × 25 GB5783 - ZnD | 全螺纹六角头螺栓 Hex head fully threaded bolt | | | 1 | | | | | | | | | | | | | | | | | | | | | | | |
| 74 | M8 × 35 GB5783 - ZnD | 全螺纹六角头螺栓 Hex head fully threaded bolt | | | 1 | | | | | | | | | | | | | | | | | | | | | | | |
| 75 | M10 × 30 GB5783 - ZnD | 全螺纹六角头螺栓 Hex head fully threaded bolt | 4 | 4 | 4 | 4 | 4 | 4 | 4 | 4 | 4 | 4 | 4 | 4 | 4 | 4 | 4 | 4 | 4 | 4 | 4 | 4 | 4 | 4 | 4 | 4 | | |
| 76 | M6 GB6172 - 8 - ZnD | 六角螺母 Hex nut | | | | | | | 2 | 2 | | | | | | 2 | 2 | | | | | | | | | | | |
| 77 | M10 GB6172 - 8 - H · Y | 六角螺母 Hex nut | 1 | 1 | 1 | 1 | 1 | 1 | 1 | 1 | 1 | 1 | 1 | 1 | 1 | 1 | 1 | 1 | 1 | 1 | 1 | 1 | 1 | 1 | 1 | 1 | | |
| 78 | 6 GB93 | 弹簧垫圈 Spring washer | | | | | | | 2 | 2 | | | | | | 2 | 2 | | | | | | | | | | | |
| 79 | M8 GB848 - 140HV - ZnD | 小垫圈 Small washer | 4 | 4 | 5 | 4 | 4 | 4 | 4 | 4 | 4 | 4 | 4 | 4 | 4 | 4 | 4 | 4 | 4 | 4 | 4 | 4 | 4 | 4 | 6 | 6 | 6 | 4 |
| 80 | M10 GB848 - 140HV - ZnD | 小垫圈 Small washer | 5 | 5 | 5 | 5 | 5 | 5 | 5 | 5 | 5 | 5 | 5 | 5 | 5 | 5 | 5 | 5 | 5 | 5 | 5 | 5 | 5 | 5 | 5 | 5 | 5 | 5 |

油门操纵机构



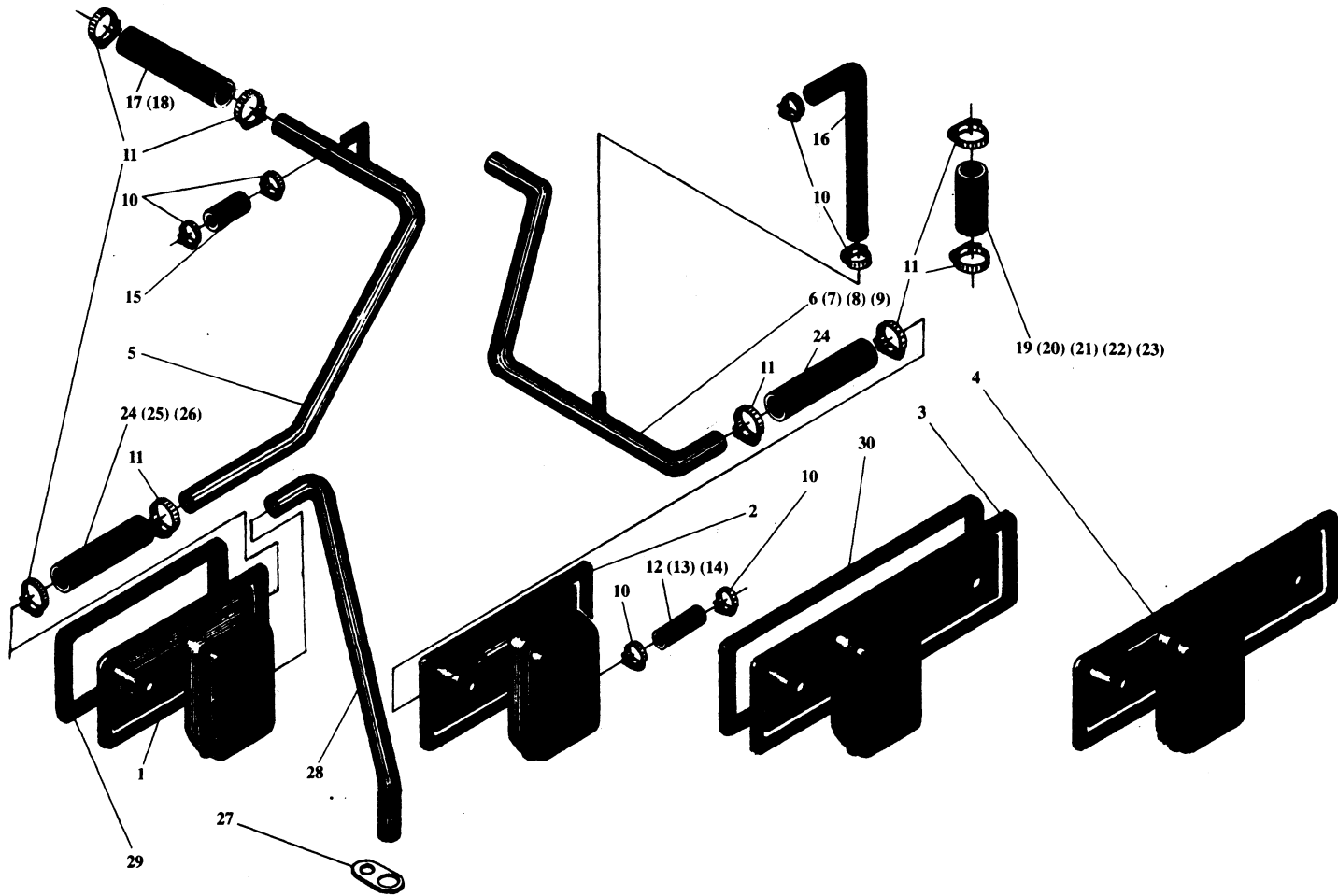
10. 油门操纵机构总成

FUEL CONIROLING MECHANISM ASSEMBLY

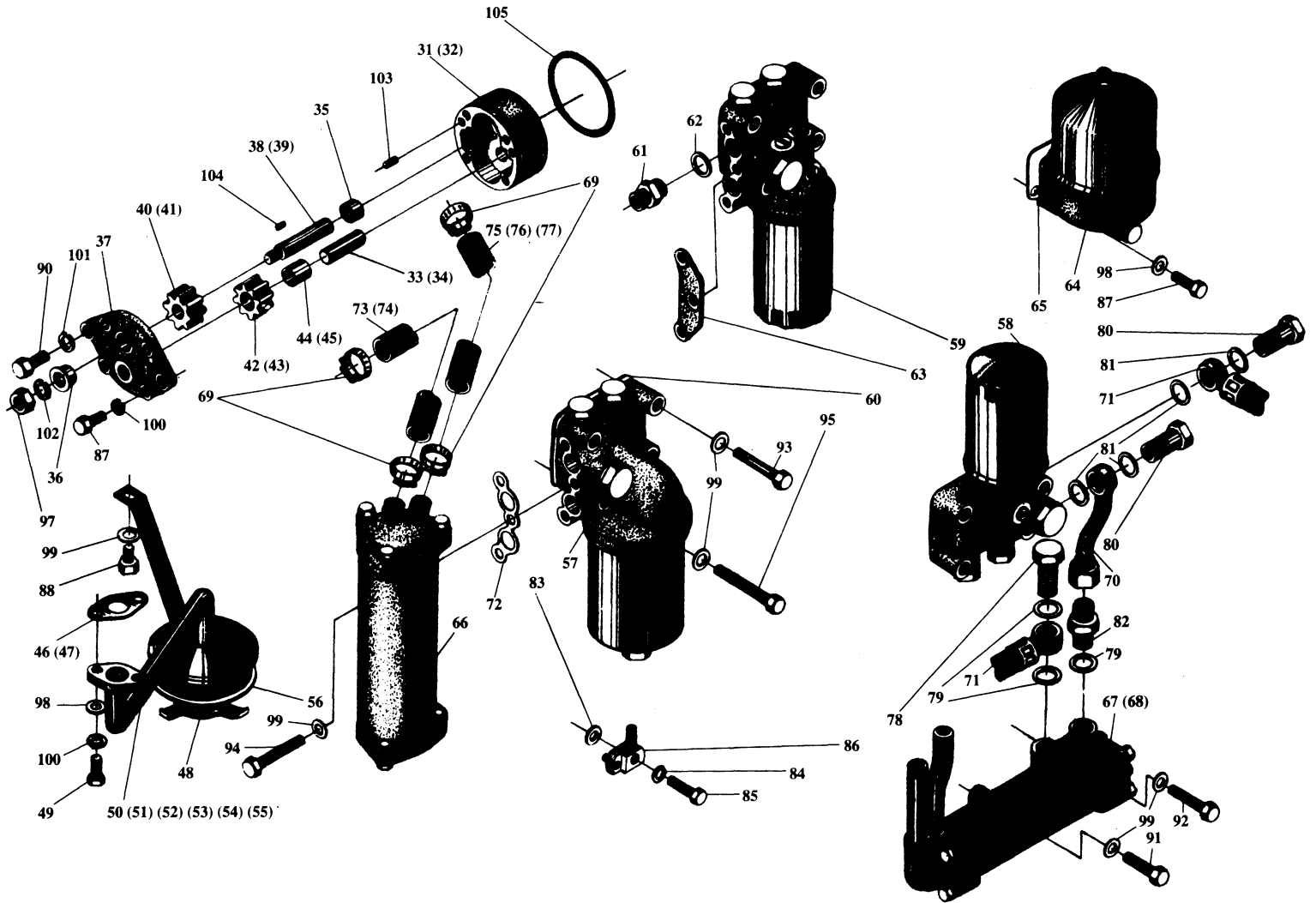
| 柴 油 机 型 号 Model | | | | R4100 | | | | | | | R4105 | | | | | R6105 | | | | | | | | | | | | | | |
|--------------------|------------------|------------------------|---------------------|-------------------------|----|----|---|----|----|----|-------|-----|---|---|---|-------|---|---|---|----|----|---|--|--|---|---|--|--|--|---|
| | | | | T | T4 | ZT | G | G4 | G8 | G9 | D1 | ZD1 | Z | T | G | G3 | P | Z | Q | Q1 | Q2 | P | | | | | | | | |
| 序号 Item | 零件代号 Part No. | 零 件 名 称 Description | | 每 台 数 量 Q'ty per set | | | | | | | | | | | | | | | | | | | | | | | | | | |
| 1 | 6RZQ370001-1 | 油门支架 | Throttle bracket | | | | | | | | | | | | | | | | | | | | | | 1 | | | | | |
| 2 | 6RZQ370002 | 联接臂 | Connection arm | | | | | | | | | | | | | | | | | | | | | | | 1 | | | | |
| 3 | 6R1Q2370002 | 联接臂 | Connection arm | | | | | | | | | | | | | | | | | | | | | | | | | | | 1 |
| 4 | 6RZQ370003 | 转 轴 | Rotating shaft | | | | | | | | | | | | | | | | | | | | | | | 1 | | | | |
| 5 | 6R1Q2370003 | 转 轴 | Rotating shaft | | | | | | | | | | | | | | | | | | | | | | | | | | | 1 |
| 6 | 4RD370004 | 油门拉杆 | Throttle pull rod | | | | | | | 1 | 1 | | | | | | | | 1 | | | | | | | | | | | |
| (7) | 6RD370004 | 油门拉杆 | Throttle pull rod | | | | | | | | | | | | | | | | | | | | | | | | | | | 1 |
| 8 | 6RZQ370004 | 油门拉杆 | Throttle pull rod | | | | | | | | | | | | | | | | | | | | | | | 1 | | | | |
| 9 | 6R1Q2370004 | 油门拉杆 | Throttle pull rod | | | | | | | | | | | | | | | | | | | | | | | | | | | 1 |
| 10 | 6RZQ370005 | 连接块 | Connection body | | | | | | | | | | | | | | | | | | | | | | | 1 | | | | |
| 11 | 6R1Q2370005 | 连接块 | Connection body | | | | | | | | | | | | | | | | | | | | | | | | | | | 1 |
| 12 | 6R1Q2370100 | 支架联接臂焊合件 | Bracket subassembly | | | | | | | | | | | | | | | | | | | | | | | | | | | 1 |
| 13 | 495D-24301A | 调速板 | Governing plate | | | | | | | 1 | 1 | | | | | | | | | 1 | | | | | | | | | | 1 |
| 14 | 495D-24302 | 调速手柄 | Governing handle | | | | | | | 1 | 1 | | | | | | | | | 1 | | | | | | | | | | 1 |
| 15 | 495D-24303 | 套 板 | Sleeve plate | | | | | | | 1 | 1 | | | | | | | | | 1 | | | | | | | | | | 1 |

| 柴 油 机 型 号 Model | | | | R4100 | | | | | | | R4105 | | | | | R6105 | | | | | | | | | | |
|--------------------|-------------------------|----------|------------------------------|------------|----|----|---|------------------|----|------------------------|-------|-------------------------|---|---|---|-------|---|---|---|----|----|---|--|---|--|---|
| | | | | T | T4 | ZT | G | G4 | G8 | G9 | D1 | ZD1 | Z | T | G | G3 | P | Z | Q | Q1 | Q2 | P | | | | |
| | | | | 序号 Item | | | | 零件代号 Part No. | | 零 件 名 称 Description | | 每 台 数 量 Q'ty per set | | | | | | | | | | | | | | |
| 16 | 495D-24304 | 弹 簧 | Spring | | | | | | | 1 | 1 | | | | | | 1 | | | | | | | | | |
| 17 | 495D-24305 | 微调螺套 | Fine adjusting nut | | | | | | | 1 | 1 | | | | | | 1 | | | | | | | | | |
| 18 | 495D-24307 | 调节杆 | Adjusting rod | | | | | | | 1 | 1 | | | | | | 1 | | | | | | | | | |
| 19 | 495D-24308 | 锁紧螺母 | Lock nut | | | | | | | 1 | 1 | | | | | | 1 | | | | | | | | | |
| 20 | M10×25 GB5783 | 全螺纹六角头螺栓 | Hex head fully threaded bolt | | | | | | | | | | | | | | | | | | | | | 2 | | |
| 21 | M12×20 GB5783 | 全螺纹六角头螺栓 | Hex head fully threaded bolt | | | | | | | 2 | 2 | | | | | | 2 | | | | | | | | | 2 |
| 22 | M6 GB6170 - ZnD | 六角螺母 | Hex Nut | | | | | | | | | | | | | | | | | | | | | 3 | | 1 |
| 23 | M8 GB6170 - ZnD | 六角螺母 | Hex Nut | | | | | | | | | | | | | | | | | | | | | 1 | | |
| 24 | M6 GB848 - 140HV - ZnD | 小垫圈 | Small washer | | | | | | | | | | | | | | | | | | | | | 3 | | |
| 25 | M8 GB848 - 140HV - ZnD | 小垫圈 | Small washer | | | | | | | | | | | | | | | | | | | | | 1 | | |
| 26 | M10 GB848 - 140HV - ZnD | 小垫圈 | Small washer | | | | | | | | | | | | | | | | | | | | | 2 | | |
| 27 | M12 GB848 - 140HV - ZnD | 小垫圈 | Small washer | | | | | | | 2 | 2 | | | | | | 2 | | | | | | | | | 2 |
| 28 | M1.6×12 GB91 - ZnD | 开口销 | Split pin | | | | | | | 1 | 1 | | | | | | 1 | | | | | | | 1 | | 1 |
| 29 | M2×14 GB91 - ZnD | 开口销 | Split pin | | | | | | | | | | | | | | | | | | | | | | | 2 |
| 30 | M2.5×16 GB91 - ZnD | 开口销 | Split pin | | | | | | | | | | | | | | | | | | | | | | | 1 |
| 31 | M4×20 GB91 - ZnD | 开口销 | Split pin | | | | | | | | | | | | | | | | | | | | | | | 2 |

润滑系统



润滑系统



11. 润滑系统

(曲轴箱通风装置、机油泵、机油集滤器、机油滤清器、机油冷却器、喷油冷却总成)

LUBRICATING SYSTEM

(CRANKCASE VENTILATION、OIL、PUMP OIL GATHERER、OIL FILTER、OIL COOLER、OIL JET ASSEMBLY)

| 柴油机型号 Model | | | R4100 | | | | | | | | | | R4105 | | | | | R6105 | | | | | | | | | | | | |
|----------------|------------------|---------------------|--|----|----|---|----|----|----|----|-----|---|-------|---|----|---|---|-------|----|----|---|--|---|---|---|---|---|---|--|---|
| | | | T | T4 | ZT | G | G4 | G8 | G9 | D1 | ZD1 | Z | T | G | G3 | P | Z | Q | Q1 | Q2 | P | | | | | | | | | |
| 序号 Item | 零件代号 Part No. | 零件名称 Description | 每台数量 Q'ty per set | | | | | | | | | | | | | | | | | | | | | | | | | | | |
| 1 | 4R120100 | 后推杆室盖及通风装置部件 | Rear push rod chamber cover and ventilation device subassembly | 1 | 1 | 1 | 1 | | | | | | | | 1 | 1 | 1 | 1 | | | | | | | 1 | 1 | | | | |
| 2 | 4RG120100 | 后推杆室盖及通风装置部件 | Rear push rod chamber cover and ventilation device subassembly | | | | | | | | | | | | | | | | 1 | | | | | | | | | | | |
| 3 | 6R120100 | 后推杆室盖及通风装置部件 | Rear push rod chamber cover and ventilation device subassembly | | | | | | | | | | | | | | | | | | | | | 1 | 1 | 1 | 1 | 1 | | |
| 4 | 6RQ120100 | 后推杆室盖及通风装置部件 | Rear push rod chamber cover and ventilation device subassembly | | | | | | | | | | | | | | | | | | | | | | | | 1 | | | |
| 5 | 4R120300 | 通进气管的分油器管道部件 | Oil separator pipe subassembly (lead to air intake manifold) | 1 | 1 | 1 | | | | | | | | 1 | 1 | 1 | | | | | | | 1 | 1 | 1 | | | | | 1 |
| 6 | 4RG120300 | 通进气管的分油器管道部件 | Oil separator pipe subassembly (lead to air intake manifold) | | | | | | | | | | | | | | | | | | | | | | | | | | | |

| 柴油机型号 Model | | | R4100 | | | | | | | | R4105 | | | | | R6105 | | | | | | | | | | | | | | | |
|----------------|------------------|---------------------|-------------------------------|----------------------|----|---|----|----|----|----|-------|---|---|---|----|-------|---|---|----|----|---|---|---|---|---|---|---|---|---|---|---|
| | | | T | T4 | ZT | G | G4 | G8 | G9 | D1 | ZD1 | Z | T | G | G3 | P | Z | Q | Q1 | Q2 | P | | | | | | | | | | |
| 序号 Item | 零件代号 Part No. | 零件名称 Description | | 每台数量 Q'ty per set | | | | | | | | | | | | | | | | | | | | | | | | | | | |
| 19 | 4RC9120003 | 接头胶管 | Rubber tube | | | | | | | 1 | 1 | | | | | | | | | | | | | | | | | | | | |
| (20) | 4RD120003 | 接头胶管 | Rubber tube | | | | | | | | | 1 | | | | | | | | | | | 1 | 1 | | | | | | | |
| (21) | 4R1T120003 | 接头胶管 | Rubber tube | | | | | | | | | | | | | | | | | | | | | | 1 | | | | | | |
| (22) | 6R1Q120003 | 接头胶管 | Rubber tube | | | | | | | | | | | | | | | | | | | | | | 1 | 1 | | | | | |
| (23) | 6R1Q2120003 | 接头胶管 | Rubber tube | | | | | | | | | | | | | | | | | | | | | | | 1 | | | | | |
| 24 | 4R120006 | 接头胶管 | Rubber tube | 1 | 1 | 1 | 1 | 1 | 1 | 1 | 1 | 1 | 1 | 1 | 1 | 1 | 1 | 1 | 1 | 1 | 1 | 1 | | | | | | | | | |
| (25) | 6R120006 | 接头胶管 | Rubber tube | | | | | | | | | | | | | | | | | | | | | 1 | 1 | 1 | 1 | 1 | | | |
| (26) | 6R1Q2120006 | 接头胶管 | Rubber tube | | | | | | | | | | | | | | | | | | | | | | | 1 | | | | | |
| 27 | 4RZT120021 | 管 卡 | Pipe clamp | | | | 1 | | | | | | 1 | | | | | | | | | | | | 1 | | | | | | |
| 28 | 4RZT120301 | 分油器接管 | Oil separator connecting pipe | | | | 1 | | | | | | 1 | | | | | | | | | | | | 1 | | | | | | |
| 29 | 4R020009 | 推杆室垫片 | Pushrod chamber gasket | 1 | 1 | 1 | 1 | 1 | 1 | 1 | 1 | 1 | 1 | 1 | 1 | 1 | 1 | 1 | 1 | 1 | 1 | 1 | | | | | | | | | |
| 30 | 6R020009 | 推杆室垫片 | Pushrod chamber gasket | | | | | | | | | | | | | | | | | | | | | | 1 | 1 | 1 | 1 | 1 | 1 | |
| 31 | 4R410151 -1 | 机油泵壳体 | Oil pump housing | | | | | | | | | | | | | | | | | | | | | | | | | | | | |
| (32) | 6R410151 -1 | 机油泵壳体 | Oil pump housing | | | | | | | | | | | | | | | | | | | | | | | 1 | 1 | 1 | 1 | 1 | 1 |

| 柴 油 机 型 号 Model | | | | R4100 | | | | | | | | | | R4105 | | | | | R6105 | | | | | | | | | |
|--------------------|------------------|------------------------|-------------------|-------------------------|----|----|---|----|----|----|----|-----|---|-------|---|---|---|----|-------|---|---|---|----|----|---|---|---|---|
| | | | | T | T4 | ZT | G | G4 | G8 | G9 | D1 | ZD1 | | | Z | T | G | G3 | P | | Z | Q | Q1 | Q2 | P | | | |
| 序号 Item | 零件代号 Part No. | 零 件 名 称 Description | | 每 台 数 量 Q'ty per set | | | | | | | | | | | | | | | | | | | | | | | | |
| 33 | 4R410152-1 | 机油泵从动齿轮轴 | Driven gear shsft | 1 | 1 | 1 | 1 | 1 | 1 | 1 | 1 | 1 | 1 | 1 | 1 | 1 | 1 | 1 | 1 | 1 | 1 | | | | | | | |
| (34) | 6R410152-1 | 机油泵从动齿轮轴 | Driven gear shsft | | | | | | | | | | | | | | | | | | | | 1 | 1 | 1 | 1 | 1 | 1 |
| 35 | R410153-1 | 机油泵衬套 | Oil pump bush | 1 | 1 | 1 | 1 | 1 | 1 | 1 | 1 | 1 | 1 | 1 | 1 | 1 | 1 | 1 | 1 | 1 | 1 | 1 | 1 | 1 | 1 | 1 | 1 | |
| 36 | R410153-2 | 机油泵衬套 | Oil pump bush | 1 | 1 | 1 | 1 | 1 | 1 | 1 | 1 | 1 | 1 | 1 | 1 | 1 | 1 | 1 | 1 | 1 | 1 | 1 | 1 | 1 | 1 | 1 | 1 | |
| 37 | R410161-1 | 机油泵盖 | Oil pump cover | 1 | 1 | 1 | 1 | 1 | 1 | 1 | 1 | 1 | 1 | 1 | 1 | 1 | 1 | 1 | 1 | 1 | 1 | 1 | 1 | 1 | 1 | 1 | 1 | |
| 38 | 4R410201-2 | 机油泵驱动轴 | Drive gear shaft | 1 | 1 | 1 | 1 | 1 | 1 | 1 | 1 | 1 | 1 | 1 | 1 | 1 | 1 | 1 | 1 | 1 | 1 | | | | | | | |
| (39) | 6R410201-2 | 机油泵驱动轴 | Drive gear shaft | | | | | | | | | | | | | | | | | | | | 1 | 1 | 1 | 1 | 1 | 1 |
| 40 | 4R410202-1 | 机油泵主动齿轮 | Drive gear | 1 | 1 | 1 | 1 | 1 | 1 | 1 | 1 | 1 | 1 | 1 | 1 | 1 | 1 | 1 | 1 | 1 | 1 | | | | | | | |
| (41) | 6R410202-1 | 机油泵主动齿轮 | Drive gear | | | | | | | | | | | | | | | | | | | | 1 | 1 | 1 | 1 | 1 | 1 |
| 42 | 4R410301-1 | 机油泵从动齿轮 | Driven gear | 1 | 1 | 1 | 1 | 1 | 1 | 1 | 1 | 1 | 1 | 1 | 1 | 1 | 1 | 1 | 1 | 1 | 1 | | | | | | | |
| (43) | 6R410301-1 | 机油泵从动齿轮 | Driven gear | | | | | | | | | | | | | | | | | | | | 1 | 1 | 1 | 1 | 1 | 1 |
| 44 | 4R410302-1 | 机油泵从动齿轮衬套 | Driven gear bush | 1 | 1 | 1 | 1 | 1 | 1 | 1 | 1 | 1 | 1 | 1 | 1 | 1 | 1 | 1 | 1 | 1 | 1 | | | | | | | |
| (45) | 6R410302-1 | 机油泵从动齿轮衬套 | Driven gear bush | | | | | | | | | | | | | | | | | | | | 1 | 1 | 1 | 1 | 1 | 1 |
| 46 | 4R420001 | 吸油管法兰垫片 | Gasket | 1 | 1 | 1 | 1 | 1 | 1 | 1 | 1 | 1 | 1 | 1 | 1 | 1 | 1 | 1 | 1 | 1 | 1 | | | | | | | |
| (47) | 6R420001 | 吸油管法兰垫片 | Gasket | | | | | | | | | | | | | | | | | | | | 1 | 1 | 1 | 1 | 1 | 1 |
| 48 | R420002 | 底 盖 | Lower cover | 1 | 1 | 1 | 1 | 1 | 1 | 1 | 1 | 1 | 1 | 1 | 1 | 1 | 1 | 1 | 1 | 1 | 1 | 1 | 1 | 1 | 1 | 1 | 1 | |

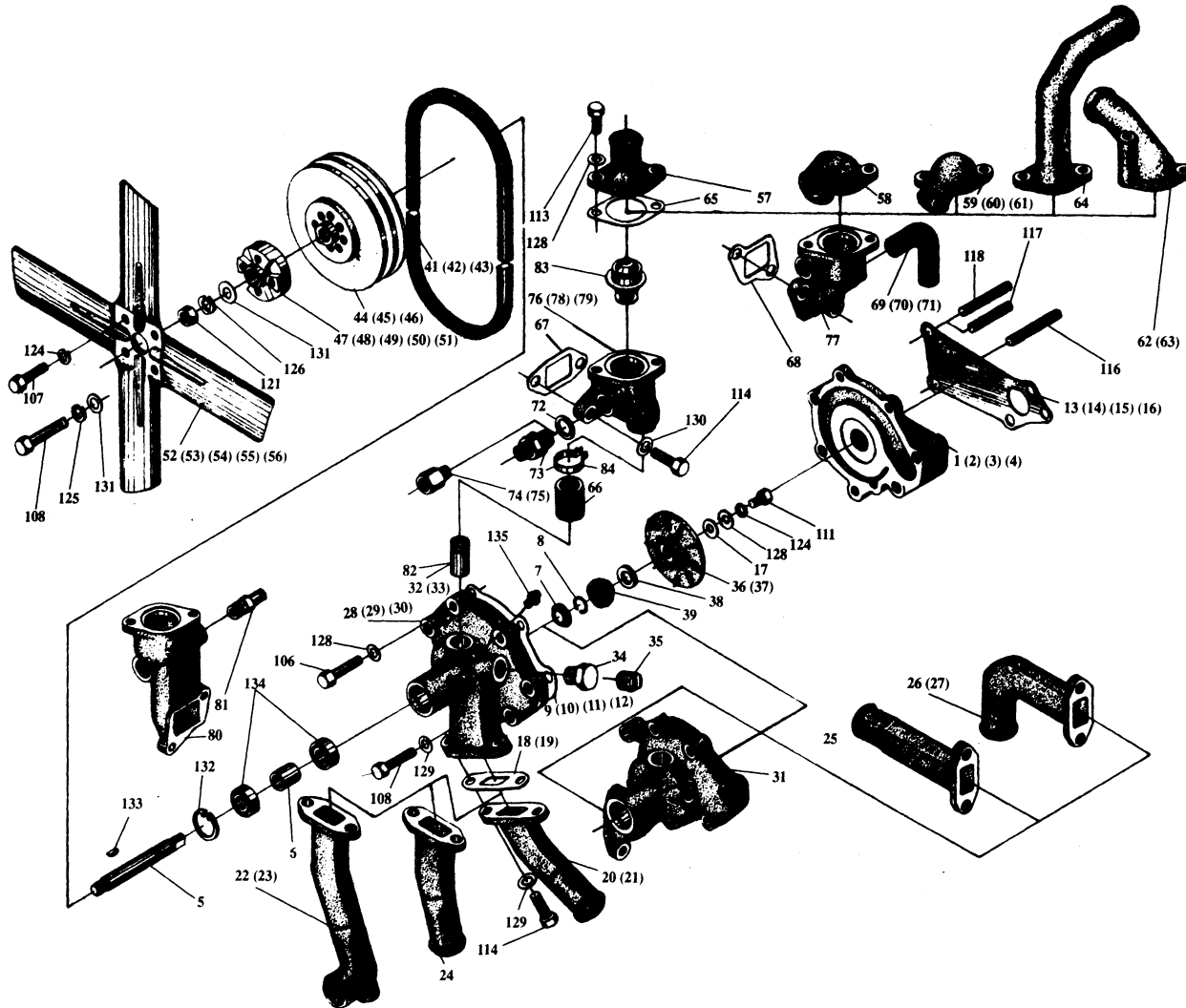
| 柴油机型号 Model | | | R4100 | | | | | | | | | | R4105 | | | | | R6105 | | | | | | | | | | | | | | | | | | | | | | | | |
|----------------|------------------|---------------------|----------------------|----|----|---|----|----|----|----|-----|---|-------|---|----|---|---|-------|----|----|---|---|---|---|---|---|---|---|---|---|---|---|---|---|---|---|---|---|---|---|---|---|
| | | | T | T4 | ZT | G | G4 | G8 | G9 | D1 | ZD1 | Z | T | G | G3 | P | Z | Q | Q1 | Q2 | P | | | | | | | | | | | | | | | | | | | | | |
| 序号 Item | 零件代号 Part No. | 零件名称 Description | 每台数量 Q'ty per set | | | | | | | | | | | | | | | | | | | | | | | | | | | | | | | | | | | | | | | |
| 49 | R420003 | 螺栓 Bolt | 2 | 2 | 2 | 2 | 2 | 2 | 2 | 2 | 2 | 2 | 2 | 2 | 2 | 2 | 2 | 2 | 2 | 2 | 2 | 2 | 2 | 2 | 2 | 2 | 2 | 2 | 2 | 2 | 2 | 2 | 2 | 2 | 2 | 2 | 2 | 2 | | | | |
| 50 | 4R420100 | 吸油管部件 | 1 | 1 | | | 1 | 1 | | | | | 1 | 1 | 1 | 1 | 1 | 1 | | 1 | | | | | | | | | | | | | | | | | | | | | | |
| (51) | 4RZT420100 | 吸油管部件 | 1 | | | | | | | | | | | | | | | | | | | | | | | | | | | | | | | | | | | | | | | |
| (52) | 4RC3420100 | 吸油管部件 | | | | | | | | | | | | | | | | | | | 1 | | | | | | | | | | | | | | | | | | | | | |
| (53) | 4RC9420100 | 吸油管部件 | | | | | | | | | | | 1 | 1 | | | | | | | | | | | | | | | | | | | | | | | | | | | | |
| (54) | 6R420100 - 1 | 吸油管部件 | | | | | | | | | | | | | | | | | | | | | | | | | | | | | | | | | | | | 1 | 1 | 1 | 1 | 1 |
| (55) | 6RG1420100 - 1 | 吸油管部件 | | | | | | | | | | | | | | | | | | | | | | | | | | | | | | | | | | | | | | | 1 | |
| 56 | R420200 | 吸油管滤网 | 1 | 1 | 1 | 1 | 1 | 1 | 1 | 1 | 1 | 1 | 1 | 1 | 1 | 1 | 1 | 1 | 1 | 1 | 1 | 1 | 1 | 1 | 1 | 1 | 1 | 1 | 1 | 1 | 1 | 1 | 1 | 1 | 1 | 1 | 1 | 1 | 1 | | | |
| 57 | 4R430100 | 机油滤清器部件 | 1 | 1 | | | 1 | 1 | 1 | 1 | 1 | 1 | 1 | 1 | 1 | | | 1 | 1 | 1 | 1 | 1 | 1 | 1 | 1 | 1 | 1 | 1 | 1 | 1 | 1 | 1 | 1 | 1 | 1 | 1 | 1 | 1 | 1 | | | |
| 58 | 4RZT430100 | 机油滤清器部件 | | | | 1 | | | | | | | | | | | | | | | | | | | | | | | | | | | | | | | | | | | | |
| 59 | 4R1T430100 | 机油滤清器部件 | | | 1 | | | | | | | | | | | | | | | | | | | | | | | | | | | | | | | | | | | | | |
| 60 | R430001 - 1 | 机油滤座垫片 | 1 | 1 | 1 | 1 | 1 | 1 | 1 | 1 | 1 | 1 | 1 | 1 | 1 | 1 | 1 | 1 | 1 | 1 | 1 | 1 | 1 | 1 | 1 | 1 | 1 | 1 | 1 | 1 | 1 | 1 | 1 | 1 | 1 | 1 | 1 | 1 | 1 | | | |
| 61 | 4R1T430011 | 油管接头 | | | 1 | | | | | | | | | | | | | | | | | | | | | | | | | | | | | | | | | | | | | |

| 柴 油 机 型 号 Model | | | R4100 | | | | | | | | R4105 | | | | | R6105 | | | | | | | | | | | | |
|--------------------|------------------|---|-------------------------|----|----|---|----|----|----|----|-------|---|---|---|----|-------|---|---|----|----|---|---|---|---|---|---|---|---|
| | | | T | T4 | ZT | G | G4 | G8 | G9 | D1 | ZD1 | Z | T | G | G3 | P | Z | Q | Q1 | Q2 | P | | | | | | | |
| 序号 Item | 零件代号 Part No. | 零件名称 Description | 每 台 数 量 Q'ty per set | | | | | | | | | | | | | | | | | | | | | | | | | |
| 62 | 4R1T430012 | 垫 圈 Gasket | | | 1 | | | | | | | | | | | | 1 | | | | | | | | | | | |
| 63 | 4RG9430013 | 机滤器盖板 Oil filter cover plate | | | | | | | | 1 | 1 | | | | | | | | | | | | | | 1 | 1 | 1 | |
| 64 | 6R440100 | 分流离心式机油滤 清器部件 Centrifugal oil filter sub- assembly | | | | | | | | | | | | | | | | | | | 1 | 1 | 1 | 1 | 1 | 1 | 1 | |
| 65 | 495-090002 | 分流离心式机油滤 清器垫片 Centrifugal oil filter gas- ket | | | | | | | | | | | | | | | | | | | 1 | 1 | 1 | 1 | 1 | 1 | 1 | |
| 66 | 4R450100-1 | 机油冷却器部件 Oil cooler subassembly | 1 | 1 | | | 1 | 1 | | | 1 | 1 | 1 | 1 | | | 1 | 1 | 1 | 1 | | | | | | | | 1 |
| 67 | 4RZT450100 | 机油冷却器部件 Oil cooler subassembly | | | | 1 | | | | | | | | | | | | | | | | | | | | | | |
| (68) | 6RZT450100 | 机油冷却器部件 Oil cooler subassembly | | | | | | | | | | | | | | | | | | | | | | | 1 | | | |
| 69 | R120500 | 胶管卡箍 Hose clamp | 4 | 4 | | | 4 | 4 | 4 | | | 4 | 4 | 4 | 4 | | 4 | 4 | 4 | 4 | 4 | | | | | | | 4 |
| 70 | 4RZT451100 | 冷却器进油管部件 Cooler oil inlet pipe sub- assembly | | | | 1 | | | | | | | | | | | | | | | | | | | | | | |
| 71 | 4RZT451200 | 冷却器出油管部件 Cooler oil outlet pipe subassembly | | | | 1 | | | | | | | | | | | | | | | | | | | | | | |
| 72 | 4R450001 | 冷却器垫片 Cooler gasket | 1 | 1 | | | 1 | 1 | 1 | 1 | 1 | 1 | 1 | 1 | | | 1 | 1 | 1 | 1 | 1 | 1 | 1 | 1 | 1 | 1 | 1 | 1 |
| 73 | 4R450003-1 | 进水管 Water inlet tube | 1 | 1 | | | 1 | 1 | | | 1 | 1 | 1 | 1 | | | 1 | 1 | 1 | 1 | 1 | 1 | | | | | | 1 |
| (74) | 4RZT450003 | 进水管 Water inlet tube | | | | 1 | | | | | | | | | | | | | | | | | | | | | | |
| 75 | 4R450004-1 | 出水管 Water outlet tube | 1 | 1 | | | 1 | 1 | | | 1 | 1 | 1 | 1 | | | 1 | 1 | 1 | | | | | | | | | |

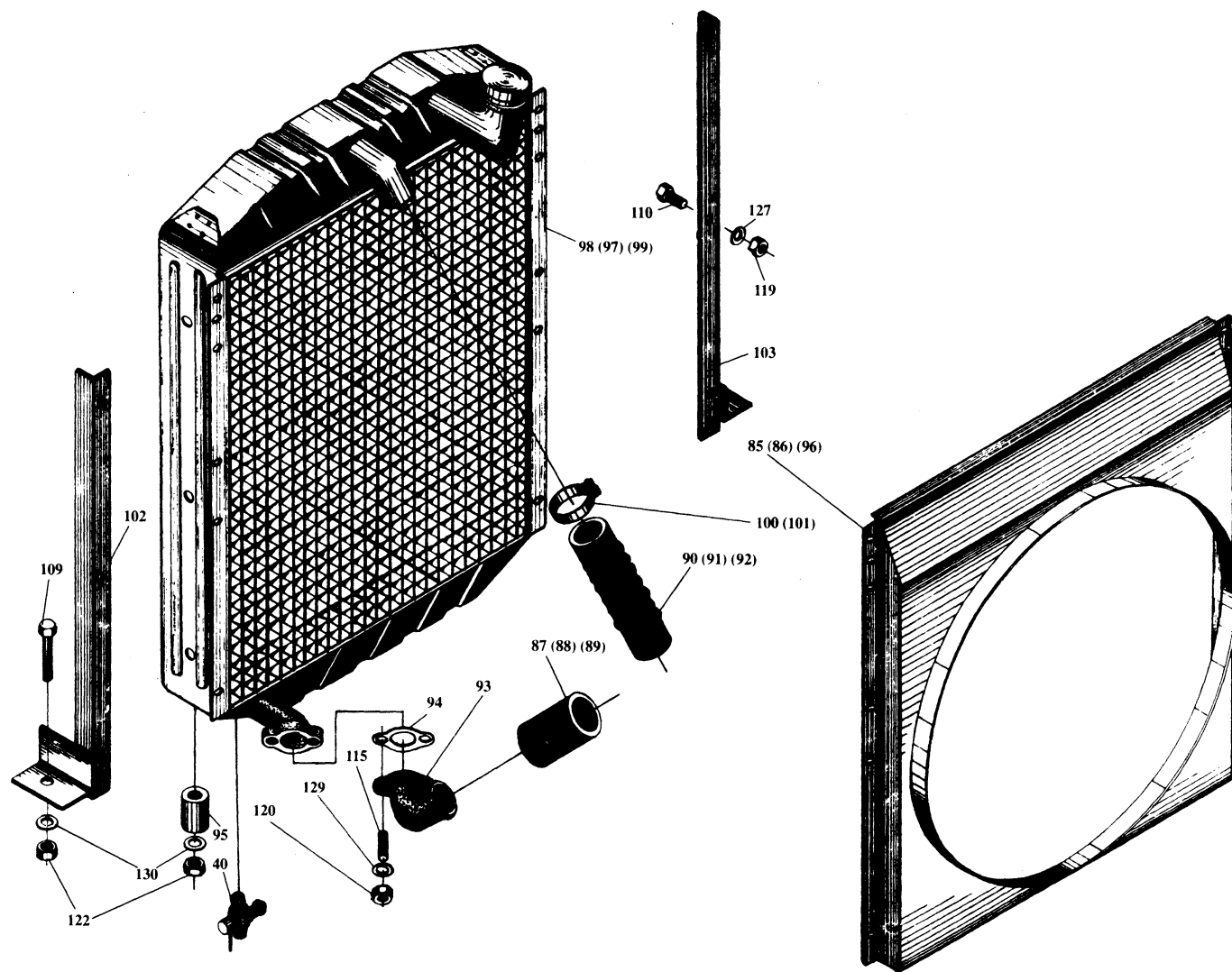
| 柴 油 机 型 号 Model | | | R4100 | | | | | | | | | R4105 | | | | | R6105 | | | | | | | | | | | |
|--------------------|------------------|---------------------|------------------------------|----|----|---|----|----|----|----|-----|-------|---|---|----|---|-------|---|----|----|---|---|---|---|---|---|---|-------|
| | | | T | T4 | ZT | G | G4 | G8 | G9 | D1 | ZD1 | Z | T | G | G3 | P | Z | Q | Q1 | Q2 | P | | | | | | | |
| 序号 Item | 零件代号 Part No. | 零件名称 Description | 每 台 数 量 Q'ty per set | | | | | | | | | | | | | | | | | | | | | | | | | |
| (76) | 6R450004 | 出水管 | Water outlet tube | | | | | | | | | | | | | | | | | 1 | 1 | | | | | | 1 | |
| (77) | 4RZT450004 | 出水管 | Water outlet tube | | | | 1 | | | | | | | | | | | | | | | | | | | | | |
| 78 | 4RZT450022 | 空心螺钉 | Hollow screw | | | | 1 | | | | | | | | | | | | | | | | | | | | | |
| 79 | 4RZT450023 | 垫 圈 | Washer | | | | 3 | | | | | | | | | | | | | | | | | | | | | |
| 80 | 4RZT450024 | 管接螺钉 | Pipe coupling screw | | | | 2 | | | | | | | | | | | | | | | | | | | | | |
| 81 | 4RZT450025 | 垫 圈 | Washer | | | | 4 | | | | | | | | | | | | | | | | | | | | | |
| 82 | 4RZT450026 | 冷却器进油管接头 | Oil inlet pipe adapter | | | | 1 | | | | | | | | | | | | | | | | | | | | | |
| 83 | RZ470001 | 垫 圈 | Washer | | | | 4 | | | | | 4 | 4 | | | | | | | | | | | | | | | 6 |
| 84 | RZ470002 | 垫 圈 | Washer | | | | 4 | | | | | 4 | 4 | | | | | | | | | | | | | | | 6 |
| 85 | RZ470003 | 管接螺钉 | Pipe coupling screw | | | | 4 | | | | | 4 | 4 | | | | | | | | | | | | | | | 6 |
| 86 | RZ470100 | 喷嘴部件 | Oil jet subassembly | | | | 4 | | | | | 4 | 4 | | | | | | | | | | | | | | | 6 |
| 87 | M8 × 30 GB5783 | 全螺纹六角头螺栓 | Hex head fully threaded bolt | 4 | 4 | 4 | 4 | 4 | 4 | 4 | 4 | 4 | 4 | 4 | 4 | 4 | 4 | 4 | 4 | 4 | 8 | 8 | 8 | 8 | 8 | 8 | 8 | 8 |
| 88 | M10 × 15 GB5783 | 全螺纹六角头螺栓 | Hex head fully threaded bolt | 1 | 1 | 1 | 1 | 1 | 1 | 1 | 1 | 1 | 1 | 1 | 1 | 1 | 1 | 1 | 1 | 1 | 1 | 1 | 1 | 1 | 1 | 1 | 1 | 1 |
| 89 | M10 × 25 GB5783 | 全螺纹六角头螺栓 | Hex head fully threaded bolt | | | | | | | | 3 | 3 | | | | | | | | | | | | | | | | 3 3 3 |

| 柴油机型号 Model | | R4100 | | | | | | | | | | R4105 | | | | | R6105 | | | | | | | | | | | | | | | |
|----------------|-------------------------|--|----------------------|----|---|----|----|----|----|-----|---|-------|---|----|---|---|-------|----|----|---|---|---|---|---|---|---|---|---|---|---|---|---|
| | | T | T4 | ZT | G | G4 | G8 | G9 | D1 | ZD1 | Z | T | G | G3 | P | Z | Q | Q1 | Q2 | P | | | | | | | | | | | | |
| 序号 Item | 零件代号 Part No. | 零件名称 Description | 每台数量 Q'ty per set | | | | | | | | | | | | | | | | | | | | | | | | | | | | | |
| 90 | M10 ×30 GB5783 | 全螺纹六角头螺栓 Hex head fully threaded bolt | 2 | 2 | 2 | 2 | 2 | 2 | 2 | 2 | 2 | 2 | 2 | 2 | 2 | 2 | 2 | 2 | 2 | 2 | 2 | 2 | 2 | 2 | 2 | 2 | 2 | | | | | |
| 91 | M10 ×40 GB5783 | 六角头螺栓 Hex head bolt | | | | 1 | | | | | | | | | | | | | | | | | | | | | | | | | | |
| 92 | M10 ×50 GB5783 | 六角头螺栓 Hex head bolt | | | | 1 | | | | | | | | | | | | | | | | | | | | | | | | | | |
| 93 | M10 ×60 GB5783 | 六角头螺栓 Hex head bolt | 3 | 3 | 3 | 3 | 3 | 3 | 3 | 3 | 3 | 3 | 3 | 3 | 3 | 3 | 3 | 3 | 3 | 3 | 3 | 3 | 3 | 3 | 3 | 3 | 3 | | | | | |
| 94 | M10 ×65 GB5783 | 六角头螺栓 Hex head bolt | 3 | 3 | | | 3 | 3 | | | 3 | 3 | 3 | 3 | | | 3 | 3 | 3 | 3 | | | | | | | 3 | | | | | |
| 95 | M10 ×85 GB5783 | 六角头螺栓 Hex head bolt | 1 | 1 | 1 | 1 | 1 | 1 | 1 | 1 | 1 | 1 | 1 | 1 | 1 | 1 | 1 | 1 | 1 | 1 | 1 | 1 | 1 | 1 | 1 | 1 | 1 | | | | | |
| 96 | M10 ×115 GB5783 | 六角头螺栓 Hex head bolt | | | | | | | | | | | | | | | | | | | | | | | | | 3 | | | | | |
| 97 | M12 GB 6170 - 8 - H · Y | 六角螺母 Hexagon nut | 1 | 1 | 1 | 1 | 1 | 1 | 1 | 1 | 1 | 1 | 1 | 1 | 1 | 1 | 1 | 1 | 1 | 1 | 1 | 1 | 1 | 1 | 1 | 1 | 1 | | | | | |
| 98 | 8 GB848 - 140HV - ZnD | 小垫圈 Small washer | 2 | 2 | 2 | 2 | 2 | 2 | 2 | 2 | 2 | 2 | 2 | 2 | 2 | 2 | 2 | 2 | 2 | 2 | 2 | 2 | 2 | 2 | 2 | 2 | 6 | 6 | 6 | 6 | 6 | 6 |
| 99 | 10 GB848 - 140HV - ZnD | 小垫圈 Small washer | 8 | 8 | 5 | 7 | 8 | 8 | 8 | 8 | 8 | 8 | 8 | 8 | 8 | 5 | 8 | 8 | 8 | 8 | 8 | 8 | 8 | 8 | 8 | 8 | 8 | 8 | 8 | 8 | 8 | 8 |
| 100 | 8 GB93 | 弹簧垫圈 Spring washer | 6 | 6 | 6 | 6 | 6 | 6 | 6 | 6 | 6 | 6 | 6 | 6 | 6 | 6 | 6 | 6 | 6 | 6 | 6 | 6 | 6 | 6 | 6 | 6 | 6 | 6 | 6 | 6 | 6 | 6 |
| 101 | 10 GB93 | 弹簧垫圈 Spring washer | 2 | 2 | 2 | 2 | 2 | 2 | 2 | 2 | 2 | 2 | 2 | 2 | 2 | 2 | 2 | 2 | 2 | 2 | 2 | 2 | 2 | 2 | 2 | 2 | 2 | 2 | 2 | 2 | 2 | 2 |
| 102 | 12 GB93 | 弹簧垫圈 Spring washer | 1 | 1 | 1 | 1 | 1 | 1 | 1 | 1 | 1 | 1 | 1 | 1 | 1 | 1 | 1 | 1 | 1 | 1 | 1 | 1 | 1 | 1 | 1 | 1 | 1 | 1 | 1 | 1 | 1 | 1 |
| 103 | A6 ×16 GB119 | 圆柱销 Cylindrical pin | 2 | 2 | 2 | 2 | 2 | 2 | 2 | 2 | 2 | 2 | 2 | 2 | 2 | 2 | 2 | 2 | 2 | 2 | 2 | 2 | 2 | 2 | 2 | 2 | 2 | 2 | 2 | 2 | 2 | 2 |
| 104 | 4 ×16 GB1099 | 半圆键 Woodruff key | 1 | 1 | 1 | 1 | 1 | 1 | 1 | 1 | 1 | 1 | 1 | 1 | 1 | 1 | 1 | 1 | 1 | 1 | 1 | 1 | 1 | 1 | 1 | 1 | 1 | 1 | 1 | 1 | 1 | 1 |
| 105 | 100 ×3.1 GB1235 - 76 | O 型橡胶密封圈 "O" rubber seal ring | 2 | 2 | 2 | 2 | 2 | 2 | 2 | 2 | 2 | 2 | 2 | 2 | 2 | 2 | 2 | 2 | 2 | 2 | 2 | 2 | 2 | 2 | 2 | 2 | 2 | 2 | 2 | 2 | 2 | 2 |

冷却系统



冷却系统



12. 冷却系统

(水泵、风扇与水泵皮带轮、节温器、散热器总成)

COOLING SYSTEM

(WATER PUMP、FAN & WATER PUMP AND BELT PULLEY、THERMOSTAT、RADIATOR ASSEMBLY)

| 柴 油 机 型 号 Model | | R4100 | | | | | | | | | | R4105 | | | | | R6105 | | | | | | | | | |
|--------------------|------------------|------------------------|-----------------------|-------------------------|---|----|----|----|----|-----|---|-------|---|---|----|---|-------|---|----|----|---|---|---|---|---|---|
| | | T | T4 | ZT | G | G4 | G8 | G9 | D1 | ZD1 | | Z | T | G | G3 | P | Z | Q | Q1 | Q2 | P | | | | | |
| 序号 Item | 零件代号 Part No. | 零 件 名 称 Description | | 每 台 数 量 Q'ty per set | | | | | | | | | | | | | | | | | | | | | | |
| 1 | R510001 | 水泵后盖 | Water pump back plate | 1 | 1 | 1 | | 1 | 1 | | | 1 | 1 | 1 | 1 | 1 | 1 | 1 | 1 | 1 | 1 | | | | 1 | 1 |
| (2) | 4RZT51000 | 水泵后盖 | Water pump back plate | | | | 1 | | | | | | | | | | | | | | | | | | | |
| (3) | 6RQ510001 | 水泵后盖 | Water pump back plate | | | | | | | 1 | 1 | | | | | | | | | | | | | | | |
| (4) | 6RZQ510001 | 水泵后盖 | Water pump back plate | | | | | | | | | | | | | | | | | | | | | 1 | 1 | |
| 5 | R510002 | 水泵轴 | Water pump shaft | 1 | 1 | 1 | 1 | 1 | 1 | 1 | 1 | 1 | 1 | 1 | 1 | 1 | 1 | 1 | 1 | 1 | 1 | 1 | 1 | 1 | 1 | 1 |
| 6 | R510003 | 隔 圈 | Spacer | 1 | 1 | 1 | 1 | 1 | 1 | 1 | 1 | 1 | 1 | 1 | 1 | 1 | 1 | 1 | 1 | 1 | 1 | 1 | 1 | 1 | 1 | 1 |
| 7 | R510004 | 甩水圈 | Water throw ring | 1 | 1 | 1 | 1 | 1 | 1 | 1 | 1 | 1 | 1 | 1 | 1 | 1 | 1 | 1 | 1 | 1 | 1 | 1 | 1 | 1 | 1 | 1 |
| 8 | R510005 | 挡 圈 | Snap ring | 1 | 1 | 1 | 1 | 1 | 1 | 1 | 1 | 1 | 1 | 1 | 1 | 1 | 1 | 1 | 1 | 1 | 1 | 1 | 1 | 1 | 1 | 1 |
| 9 | R510006 | 垫 片 | Gasket | 1 | 1 | 1 | | 1 | 1 | | | 1 | 1 | 1 | 1 | 1 | 1 | 1 | 1 | 1 | 1 | | | | 1 | 1 |
| (10) | 4RZT510006 | 垫 片 | Gasket | | | | 1 | | | | | | | | | | | | | | | | | | | |
| (11) | 6RQ510006 | 垫 片 | Gasket | | | | | | | 1 | 1 | | | | | | | | | | | | | | | |
| (12) | 6RZQ510006 | 垫 片 | Gasket | | | | | | | | | | | | | | | | | | | | | 1 | 1 | |

| 柴 油 机 型 号 Model | | | | R4100 | | | | | | | | R4105 | | | | | R6105 | | | | | | | | | |
|--------------------|------------------|------------------------|------------------|-------------------------|----|----|---|----|----|----|----|-------|---|---|---|----|-------|---|---|----|----|---|---|---|---|---|
| | | | | T | T4 | ZT | G | G4 | G8 | G9 | D1 | ZD1 | Z | T | G | G3 | P | Z | Q | Q1 | Q2 | P | | | | |
| 序号 Item | 零件代号 Part No. | 零 件 名 称 Description | | 每 台 数 量 Q'ty per set | | | | | | | | | | | | | | | | | | | | | | |
| 13 | R510007 | 垫 片 | Gasket | 1 | 1 | 1 | | 1 | 1 | | | 1 | 1 | 1 | 1 | 1 | 1 | 1 | 1 | 1 | 1 | | | | 1 | 1 |
| (14) | 4RZT510007 | 垫 片 | Gasket | | | 1 | | | | | | | | | | | | | | | | | | | | |
| (15) | 6RQ510007 | 垫 片 | Gasket | | | | | | 1 | 1 | | | | | | | | | | | | | | | | |
| (16) | 6RZQ510007 | 垫 片 | Gasket | | | | | | | | | | | | | | | | | | | | | 1 | 1 | |
| 17 | R510008 | 专用垫圈 | Special washer | 1 | 1 | 1 | 1 | 1 | 1 | 1 | 1 | 1 | 1 | 1 | 1 | 1 | 1 | 1 | 1 | 1 | 1 | 1 | 1 | 1 | 1 | 1 |
| 18 | R510009 | 垫 片 | Gasket | 1 | 1 | 1 | 1 | 1 | 1 | 1 | 1 | 1 | 1 | 1 | 1 | 1 | 1 | 1 | 1 | 1 | 1 | | | | 1 | 1 |
| (19) | 6RZQ510009 | 垫 片 | Gasket | | | | | | | | | | | | | | | | | | | | | 1 | 1 | |
| 20 | R510011 | 接 管 | Connecting pipe | 1 | 1 | 1 | | 1 | 1 | | | | 1 | 1 | | 1 | 1 | | 1 | 1 | | 1 | 1 | | | |
| (21) | 4RZT510011 | 接 管 | Connecting pipe | | | 1 | | | | | | | | | | | | | | | | | | | | |
| 22 | 4RC9510011 | 接 管 | Connecting pipe | | | | | | 1 | 1 | | | | | | | | | | | | | | | | |
| (23) | RD510011 | 接 管 | Connecting pipe | | | | | | | | 1 | 1 | | | | | | | | | | | | | | |
| 24 | 4R1T510011 | 接 管 | Connecting pipe | | | | | | | | | | | | | | 1 | | | | | | | | | |
| 25 | 6RZQ510011 | 接 管 | Connecting pipe | | | | | | | | | | | | | | | | | | | | | 1 | | |
| 26 | 6R1Q1510011 | 接 管 | Connecting pipe | | | | | | | | | | | | | | | | | | | | | | 1 | |
| (27) | 6R1Q2510011 | 接 管 | Connecting pipe | | | | | | | | | | | | | | | | | | | | | | | 1 |
| 28 | R510101 | 水泵壳体 | Water pump house | 1 | 1 | 1 | | 1 | 1 | | | 1 | 1 | 1 | 1 | 1 | 1 | 1 | 1 | 1 | 1 | 1 | 1 | 1 | 1 | 1 |

| 柴 油 机 型 号 Model | | | R4100 | | | | | | | | | | R4105 | | | | | R6105 | | | | | | | | | | |
|--------------------|------------------|---------------------|-------------------------|----|----|---|----|----|----|----|-----|---|-------|---|---|----|---|-------|---|---|----|----|---|---|---|---|---|---|
| | | | T | T4 | ZT | G | G4 | G8 | G9 | D1 | ZD1 | | Z | T | G | G3 | P | | Z | Q | Q1 | Q2 | P | | | | | |
| 序号 Item | 零件代号 Part No. | 零件名称 Description | 每 台 数 量 Q'ty per set | | | | | | | | | | | | | | | | | | | | | | | | | |
| 44 | R520002Y-1 | 水泵皮带轮 | Water pump belt pulley | 1 | 1 | 1 | | 1 | 1 | 1 | 1 | 1 | 1 | 1 | 1 | 1 | 1 | 1 | 1 | 1 | 1 | 1 | 1 | 1 | 1 | 1 | 1 | |
| (45) | 4RZT520002 | 水泵皮带轮 | Water pump belt pulley | | | 1 | | | | | | | | | | | | | | | | | | | | | | |
| (46) | 6R1Q1520002 | 水泵皮带轮 | Water pump belt pulley | | | | | | | | | | | | | | | | | | | | | | 1 | | | |
| 47 | 4R520003 | 垫 块 | Bed plate | 1 | 1 | 1 | | 1 | 1 | 1 | 1 | 1 | 1 | 1 | 1 | 1 | 1 | 1 | 1 | 1 | | | | | | | | |
| (48) | 4RZT520003 | 垫 块 | Bed plate | | | 1 | | | | | | | | | | | | | | | | | | | | | | |
| (49) | 6R520003 | 垫 块 | Bed plate | | | | | | | | | | | | | | | | | | 1 | 1 | 1 | 1 | 1 | 1 | 1 | |
| (50) | 6R1Q1520003-1 | 垫 块 | Bed plate | | | | | | | | | | | | | | | | | | | | | 1 | | | | |
| (51) | 495T-16119 | 风扇垫块 | Bed plate, fan | | | 1 | | | | | | | | | | | | | | | | | | | | | | |
| 52 | 495-06120(B) | 风扇组件 | Fan subassembly | 1 | 1 | 1 | | 1 | | | | | 1 | | | | | | | 1 | | | | | | | | |
| (53) | 495D-06120(C) | 风扇组件 | Fan subassembly | | | | | 1 | | 1 | 1 | 1 | 1 | | | | | | 1 | 1 | | | | | | | | |
| (54) | 4R1T520100 | 风扇部件 | Fan subassembly | | | | | | | | | | | | | | | | | 1 | | | | | | | | |
| (55) | 6R520100 | 风扇部件 | Fan subassembly | | | | | | | | | | | | | | | | | 1 | | | | 1 | | 1 | 1 | 1 |
| (56) | 6R1Z520100 | 风扇部件 | Fan subassembly | | | | | | | | | | | | | | | | | | | | 1 | | | | | |
| 57 | 4R530001 | 节温器盖 | Thermostat cover | 1 | 1 | 1 | | 1 | | | | 1 | 1 | 1 | | | | | 1 | 1 | 1 | | | | | | | |
| 58 | 4RZT530001 | 节温器盖 | Thermostat cover | | | | | 1 | | | | | | | | | | | | | | | | | | | | |

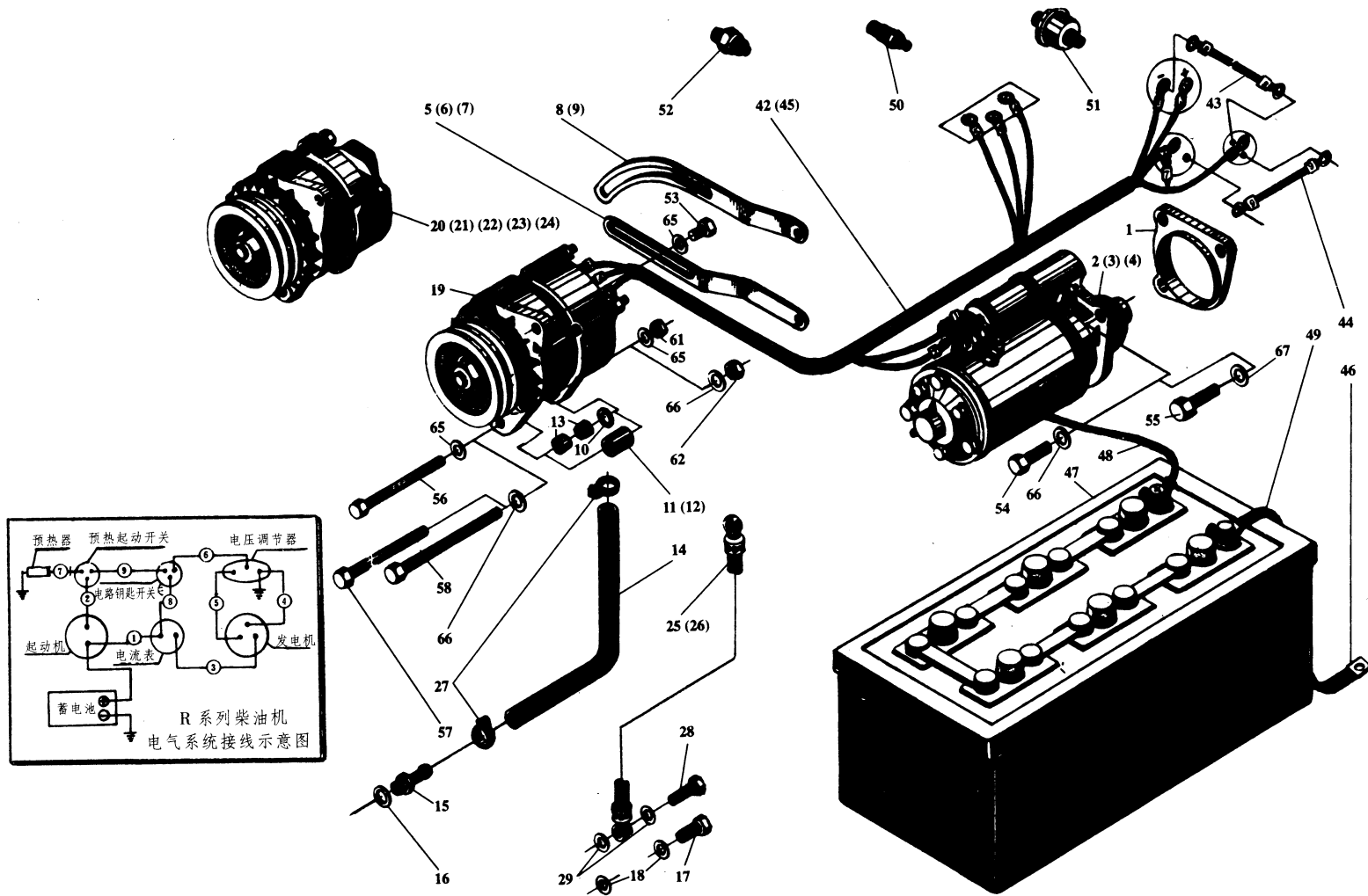
| 柴 油 机 型 号 Model | | R4100 | | | | | | | | | | R4105 | | | | | R6105 | | | | | | | | | | | |
|--------------------|------------------|---------------------|---------------------------------|----|---|----|----|----|----|-----|---|-------|---|----|---|---|-------|----|----|---|---|---|---|---|---|---|---|---|
| | | T | T4 | ZT | G | G4 | G8 | G9 | D1 | ZD1 | Z | T | G | G3 | P | Z | Q | Q1 | Q2 | P | | | | | | | | |
| 序号 Item | 零件代号 Part No. | 零件名称 Description | 每 台 数 量 Q'ty per set | | | | | | | | | | | | | | | | | | | | | | | | | |
| 59 | 4RG530001 | 节温器盖 | Thermostat cover | | | | 1 | | | | | | | | | | | | | | | | | | | | | |
| (60) | 4RG8530001 | 节温器盖 | Thermostat cover | | | | | | | 1 | 1 | | | | | | | | | | | | | | | | | |
| (61) | 4R1T530001 | 节温器盖 | Thermostat cover | | | | | | | | | | | 1 | | | | | | 1 | | | | | | | | |
| 62 | 6R530001 - 1 | 节温器盖 | Thermostat cover | | | | | | | | | | | 1 | | | | | | 1 | 1 | | | | | | 1 | |
| (63) | 6RZQ2530001 | 节温器盖 | Thermostat cover | | | | | | | | | | | | | | | | | | 1 | 1 | | | | | | |
| 64 | 6R1Q2530001 | 节温器盖 | Thermostat cover | | | | | | | | | | | | | | | | | | | | | | | | 1 | |
| 65 | R530002 | 垫 片 | Gasket | 1 | 1 | 1 | 1 | 1 | 1 | 1 | 1 | 1 | 1 | 1 | 1 | 1 | 1 | 1 | 1 | 1 | 1 | 1 | 1 | 1 | 1 | 1 | 1 | 1 |
| 66 | R530003 | 软 管 | Connecting hose | 1 | 1 | 1 | 2 | 1 | 1 | 2 | 2 | 1 | 1 | 1 | 1 | 1 | 1 | 1 | 1 | 1 | 1 | 1 | 1 | 1 | 1 | 1 | 2 | 1 |
| 67 | R530004 | 垫 片 | Gasket | 1 | 1 | 1 | | 1 | 1 | | | 1 | 1 | 1 | 1 | 1 | 1 | 1 | 1 | 1 | 1 | 1 | 1 | 1 | 1 | 1 | | |
| 68 | 4RZT530004 | 垫 片 | Gasket | | | | 1 | | | 1 | 1 | | | | | | | | | | | | | | | | | |
| 69 | 4RZT530005 - 1 | 出水接管 | Water hose | 1 | 1 | 1 | 1 | 1 | 1 | | | 1 | 1 | 1 | 1 | 1 | 1 | 1 | 1 | 1 | 1 | 1 | 1 | 1 | 1 | 1 | 1 | |
| (70) | 6R1Q2530005 | 出水接管 | Water hose | | | | | | | | | | | | | | | | | | | | | | | 1 | | |
| (71) | 4RG8530005 | 出水接管 | Water hose | | | | | | | 1 | 1 | | | | | | | | | | | | | | | | | |
| 72 | R070002 | 螺塞垫圈 | Washer, screw plug | 1 | 1 | 1 | 1 | 1 | 1 | | | 1 | 1 | 1 | 1 | | | 1 | 1 | 1 | 1 | 1 | 1 | | | | 1 | |
| 73 | R070003 | 温度表接头 | Water temperature gauge fitting | 1 | 1 | 1 | | | 1 | | | 1 | 1 | 1 | 1 | | | 1 | 1 | 1 | 1 | 1 | 1 | | | | 1 | |

| 柴 油 机 型 号 Model | | | | R4100 | | | | | | | R4105 | | | | | R6105 | | | | | | | | | | | | | | | |
|--------------------|------------------|------------------------|--|-------------------------|----|----|---|----|----|----|-------|-----|---|---|---|-------|---|---|---|----|----|---|---|---|---|---|---|---|---|---|---|
| | | | | T | T4 | ZT | G | G4 | G8 | G9 | D1 | ZD1 | Z | T | G | G3 | P | Z | Q | Q1 | Q2 | P | | | | | | | | | |
| 序号 Item | 零件代号 Part No. | 零 件 名 称 Description | | 每 台 数 量 Q'ty per set | | | | | | | | | | | | | | | | | | | | | | | | | | | |
| 74 | R070003 - A | 温度表接头 | Water temperature gauge fitting | | | | 1 | | | | | | | | | | | | | | | | | | | | | | | | |
| (75) | R070003 - B | 温度表接头 | Water temperature gauge fitting | | | 1 | | | | | | | | | | | | | | | | | | | | | | | | | |
| 76 | R530101 | 节温器体 | Thermostat body | 1 | 1 | 1 | | 1 | 1 | | 1 | 1 | 1 | 1 | 1 | 1 | 1 | 1 | 1 | 1 | | | | | | | | | | 1 | |
| 77 | 4RZT530101 | 节温器体 | Thermostat body | | | 1 | | | | | | | | | | | | | | | | | | | | | | | | | |
| 78 | 4R1T530101 | 节温器体 | Thermostat body | | | | | | | | | | | 1 | | | | | | | | | | | | | | | | | |
| (79) | 6R1Q530101 | 节温器体 | Thermostat body | | | | | | | | | | | | | | | | | | | | | | | | 1 | 1 | | | |
| 80 | 6R1Q2530101 | 节温器体 | Thermostat body | | | | | | 1 | 1 | | | | | | | | | | | | | | | | | | | | 1 | |
| 81 | 6R1Q2530104 | 节温器暖风接头 | Warm wind fitting, thermostat | | | | | | | | | | | | | | | | | | | | | | | | | | | 1 | |
| 82 | R510102 | 接 头 | Union | 1 | 1 | 1 | 1 | 1 | 1 | 1 | 1 | 1 | 1 | 1 | 1 | 1 | 1 | 1 | 1 | 1 | 1 | 1 | 1 | 1 | 1 | 1 | 1 | 1 | 1 | 1 | 1 |
| 83 | R530200 | 节温器部件 | Thormostat subassembly | 1 | 1 | 1 | 1 | 1 | 1 | 1 | 1 | 1 | 1 | 1 | 1 | 1 | 1 | 1 | 1 | 1 | 1 | 1 | 1 | 1 | 1 | 1 | 1 | 1 | 1 | 1 | 1 |
| 84 | R530300 | 胶管夹箍部件 | Hose clamp | 2 | 2 | 2 | 4 | 2 | 2 | 4 | 4 | 2 | 2 | 2 | 2 | 2 | 2 | 2 | 2 | 2 | 2 | 2 | 2 | 2 | 2 | 2 | 2 | 2 | 2 | 4 | 2 |
| 85 | 6R540001 | 导风罩 | Cowl | | | | | | | | | | | | | | | | | | | | | | | | | | | 1 | |
| (86) | 6R1Z540001 | 导风罩 | Cowl | | | | | | | | | | | | | | | | | | | | | | | | | | | 1 | |
| 87 | 4R540002 | 夹布压力胶管 | Rubber hose $\Phi 45 \times 6 \times 50$ | 1 | | | | | | | | | | 1 | | | | | | | | | | | | | | | | | |

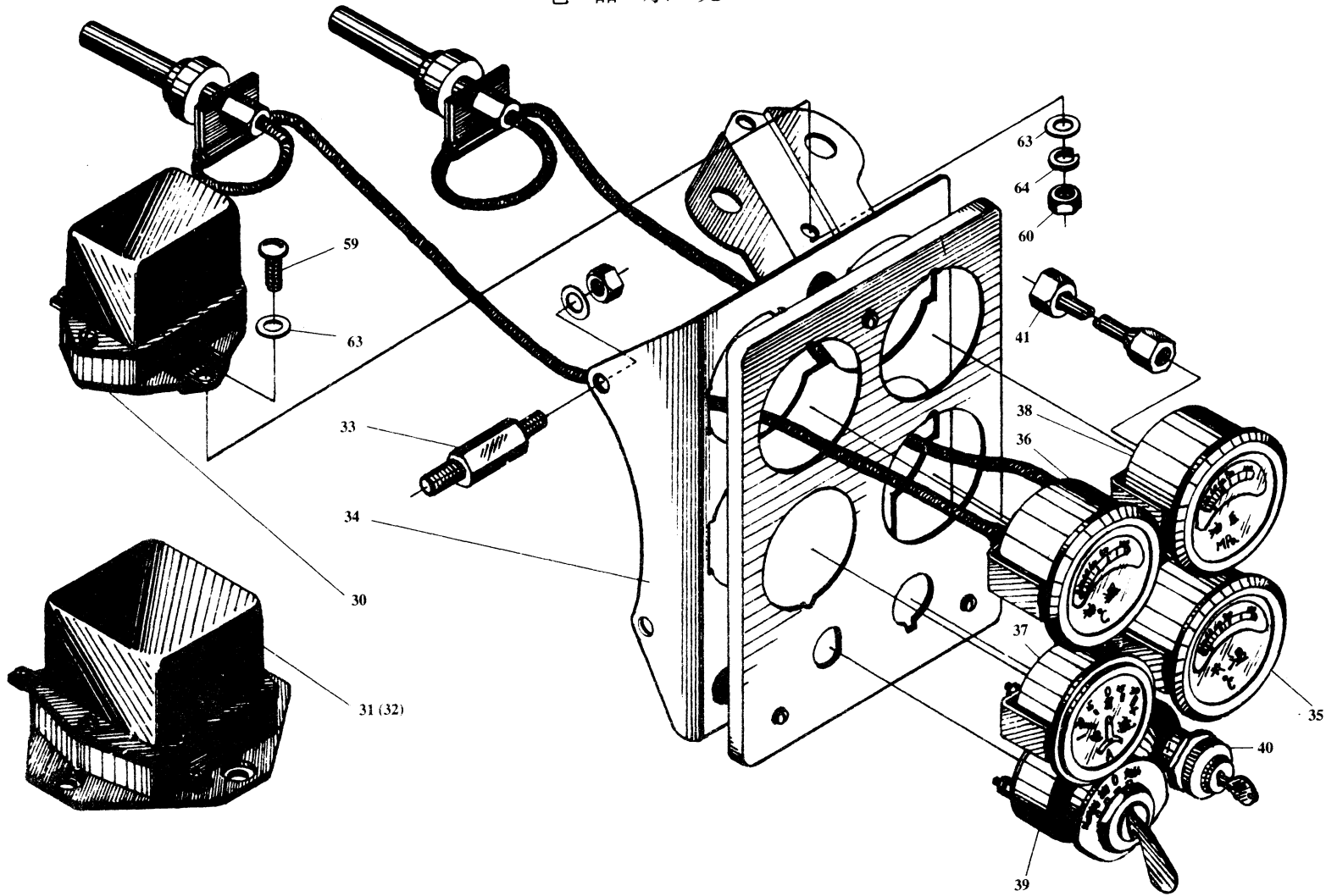
| 柴油机型号 Model | | | | R4100 | | | | | | | R4105 | | | | | R6105 | | | | | | | | | | | | | | | | | | | |
|----------------|------------------|---------------------|-----------------------------|----------------------|----|----|---|----|----|----|-------|-----|---|---|---|-------|---|---|---|----|----|---|--|--|--|--|---|---|---|--|--|--|---|---|---|
| | | | | T | T4 | ZT | G | G4 | G8 | G9 | D1 | ZD1 | Z | T | G | G3 | P | Z | Q | Q1 | Q2 | P | | | | | | | | | | | | | |
| 序号 Item | 零件代号 Part No. | 零件名称 Description | | 每台数量 Q'ty per set | | | | | | | | | | | | | | | | | | | | | | | | | | | | | | | |
| (88) | 6R540002 | 夹布压力胶管 | Rubber hose | | | | | | | | | | | | | | | | | 1 | | | | | | | 1 | | | | | | | | |
| (89) | 6R1Z540002 | 夹布压力胶管 | Rubber hose | | | | | | | | | | | | | | | | | | | | | | | | | | | | | | | | 1 |
| 90 | 4R540003 | 水箱进水胶管 | Inlet hose,radiator | 1 | | | | | | | | | | | 1 | | | | | | | | | | | | | 1 | | | | | | | |
| (91) | 6R540003 | 水箱进水胶管 | Inlet hose,radiator | | | | | | | | | | | | | | | | | | | | | | | | | | | | | | | 1 | |
| (92) | 6R1Z540003 | 水箱进水胶管 | Inlet hose,radiator | | | | | | | | | | | | | | | | | | | | | | | | | | | | | | | 1 | |
| 93 | 6R540004-1 | 水箱接管 | Connection hose,radiator | | | | | | | | | | | | | | | | | | | | | | | | | | | | | | 1 | 1 | |
| 94 | 6R540005 | 垫片 | Gasket | | | | | | | | | | | | | | | | | | | | | | | | | | | | | | 1 | 1 | |
| 95 | 4R540006 | 垫块 | Bed plate | 2 | | | | | | | | | | | 2 | | | | | | | | | | | | | 2 | | | | | | | |
| (96) | 495-06001(B) | 导风罩 | Cowl | 1 | | | | | | | | | | | 1 | | | | | | | | | | | | | 1 | | | | | | | |
| (97) | 4R540100 | 水箱部件 | Radiator subassembly | 1 | | | | | | | | | | | 1 | | | | | | | | | | | | | 1 | | | | | | | |
| 98 | 6R540100 | 水箱部件 | Radiator subassembly | | | | | | | | | | | | | | | | | | | | | | | | | | | | | | 1 | 1 | |
| (99) | 6R1Z540100 | 水箱部件 | Radiator subassembly | | | | | | | | | | | | | | | | | | | | | | | | | | | | | | 1 | | |
| 100 | 4R540200 | 胶管夹箍 | Hose clamp | 2 | | | | | | | | | | | 2 | 4 | | | | | | | | | | | 2 | 4 | 4 | | | | | 4 | |
| 101 | 4R540300 | 胶管夹箍 | Hose clamp | 2 | | | | | | | | | | | 2 | | | | | | | | | | | | | 2 | | | | | | | |
| 102 | 6R1P540400 | 散热器左支架焊接件 | Left bracket parts,radiator | | | | | | | | | | | | | | | | | | | | | | | | | | | | | | | 1 | |

| 柴 油 机 型 号 Model | | | | R4100 | | | | | | | | | | R4105 | | | | | R6105 | | | | | | | | | | | | | | | |
|--------------------|-----------------------|------------------------|--------------------|-------------------------|----|----|---|----|----|----|----|-----|---|-------|---|---|----|---|-------|---|----|----|---|---|---|---|----|---|---|---|---|---|----|----|
| | | | | T | T4 | ZT | G | G4 | G8 | G9 | D1 | ZD1 | | Z | T | G | G3 | P | Z | Q | Q1 | Q2 | P | | | | | | | | | | | |
| 序号 Item | 零件代号 Part No. | 零 件 名 称 Description | | 每 台 数 量 Q'ty per set | | | | | | | | | | | | | | | | | | | | | | | | | | | | | | |
| 118 | AM10×85 GB898-8.8-H·Y | 双头螺柱 | Stud | 1 | 1 | 1 | 1 | 1 | 1 | 1 | 1 | 1 | 1 | 1 | 1 | 1 | 1 | 1 | 1 | 1 | 1 | 1 | 1 | 1 | 1 | 1 | 1 | 1 | 1 | 1 | 1 | 1 | 1 | 1 |
| 119 | M8 GB6170-8-H·Y | 六角螺母 | Hexagon nut | | | | | | | | | | | | | | | | | | | | | | | | | | | | | | | 6 |
| 120 | M10 GB6170-8-H·Y | 六角螺母 | Hexagon nut | 4 | 4 | 4 | 4 | 4 | 4 | 4 | 4 | 4 | 4 | 4 | 4 | 6 | 4 | 4 | 4 | 4 | 4 | 4 | 4 | 4 | 4 | 4 | 4 | 4 | 4 | 4 | 4 | 4 | 6 | |
| 121 | M12×1.25 GB6171-8-H·Y | 六角螺母 | Hexagon nut | 1 | 1 | 1 | 1 | 1 | 1 | 1 | 1 | 1 | 1 | 1 | 1 | 1 | 1 | 1 | 1 | 1 | 1 | 1 | 1 | 1 | 1 | 1 | 1 | 1 | 1 | 1 | 1 | 1 | 1 | |
| 122 | M12 GB6170-8-H·Y | 六角螺母 | Hexagon nut | 2 | | | | | | | | | | | 2 | | | | | | | | 2 | | | | | | | | | | 2 | |
| 123 | 6 GB93 | 弹簧垫圈 | Spring washer | 8 | | | | | | | | | | 8 | | | | | | | | | 8 | | | | | | | | | | | |
| 124 | 8 GB93 | 弹簧垫圈 | Spring washer | 5 | 5 | 5 | 1 | 5 | 5 | 5 | 5 | 5 | 5 | 5 | 5 | 5 | 5 | 5 | 5 | 5 | 5 | 5 | 5 | 5 | 5 | 5 | 5 | 5 | 5 | 5 | 5 | 5 | 5 | 5 |
| 125 | 10 GB93 | 弹簧垫圈 | Spring washer | | | | 4 | | | | | | | | | | | | | | | | | | | | 4 | 4 | 4 | 4 | 4 | | | |
| 126 | 12 GB93 | 弹簧垫圈 | Spring washer | 3 | 1 | 1 | 1 | 1 | 1 | 1 | 1 | 1 | 1 | 1 | 3 | 1 | 1 | 1 | 1 | 3 | 1 | 1 | 1 | 3 | 1 | 1 | 1 | 1 | 1 | | | | | |
| (127) | 6 GB848-140HV-ZnD | 小垫圈 | Small washer | 8 | | | | | | | | | | | | 8 | | | | | | | 8 | | | | | | | | | | | |
| 128 | 8 GB848-140HV-ZnD | 小垫圈 | Small washer | 5 | 5 | 5 | 6 | 5 | 5 | 5 | 5 | 5 | 5 | 5 | 5 | 5 | 5 | 5 | 5 | 5 | 5 | 5 | 5 | 5 | 5 | 5 | 5 | 5 | 5 | 5 | 5 | 5 | 5 | 11 |
| 129 | 10 GB848-140HV-ZnD | 小垫圈 | Small washer | 8 | 8 | 8 | 8 | 8 | 8 | 8 | 8 | 8 | 8 | 8 | 8 | 8 | 8 | 8 | 8 | 8 | 8 | 8 | 8 | 8 | 8 | 8 | 10 | 8 | 8 | 8 | 8 | 8 | 10 | |
| 130 | 12 GB848-140HV-ZnD | 小垫圈 | Small washer | | | | | | | | | | | | | | | | | | | | | | | | | | | | | | 2 | |
| 131 | 12 GB95 | 平垫圈 | Plain washer | 1 | 1 | 1 | 1 | 1 | 1 | 1 | 1 | 1 | 1 | 1 | 1 | 1 | 1 | 1 | 1 | 1 | 1 | 1 | 1 | 1 | 1 | 1 | 1 | 1 | 1 | 1 | 1 | 1 | | |
| 132 | 40 GB893.1 | 孔用弹性挡圈 | Circlips for holes | 1 | 1 | 1 | 1 | 1 | 1 | 1 | 1 | 1 | 1 | 1 | 1 | 1 | 1 | 1 | 1 | 1 | 1 | 1 | 1 | 1 | 1 | 1 | 1 | 1 | 1 | 1 | 1 | 1 | | |
| 133 | 4×19 GB1099 | 半圆键 | Woodruff | 1 | 1 | 1 | 1 | 1 | 1 | 1 | 1 | 1 | 1 | 1 | 1 | 1 | 1 | 1 | 1 | 1 | 1 | 1 | 1 | 1 | 1 | 1 | 1 | 1 | 1 | 1 | 1 | | | |
| 134 | 60203 GB278 | 滚动轴承 | Bearing | 2 | 2 | 2 | 2 | 2 | 2 | 2 | 2 | 2 | 2 | 2 | 2 | 2 | 2 | 2 | 2 | 2 | 2 | 2 | 2 | 2 | 2 | 2 | 2 | 2 | 2 | 2 | 2 | 2 | 2 | |
| 135 | M10×1 GB1152 | 油 杯 | Nipple | 1 | 1 | 1 | 1 | 1 | 1 | 1 | 1 | 1 | 1 | 1 | 1 | 1 | 1 | 1 | 1 | 1 | 1 | 1 | 1 | 1 | 1 | 1 | 1 | 1 | 1 | 1 | 1 | 1 | | |

电 器 系 统



电器系统



13. 电器系统

(起动机、充电发电机、电压调节器、电器线路、仪表及仪表盘、蓄电池、油压传感器及报警器总成)

ELECTRICAL SYSTEM

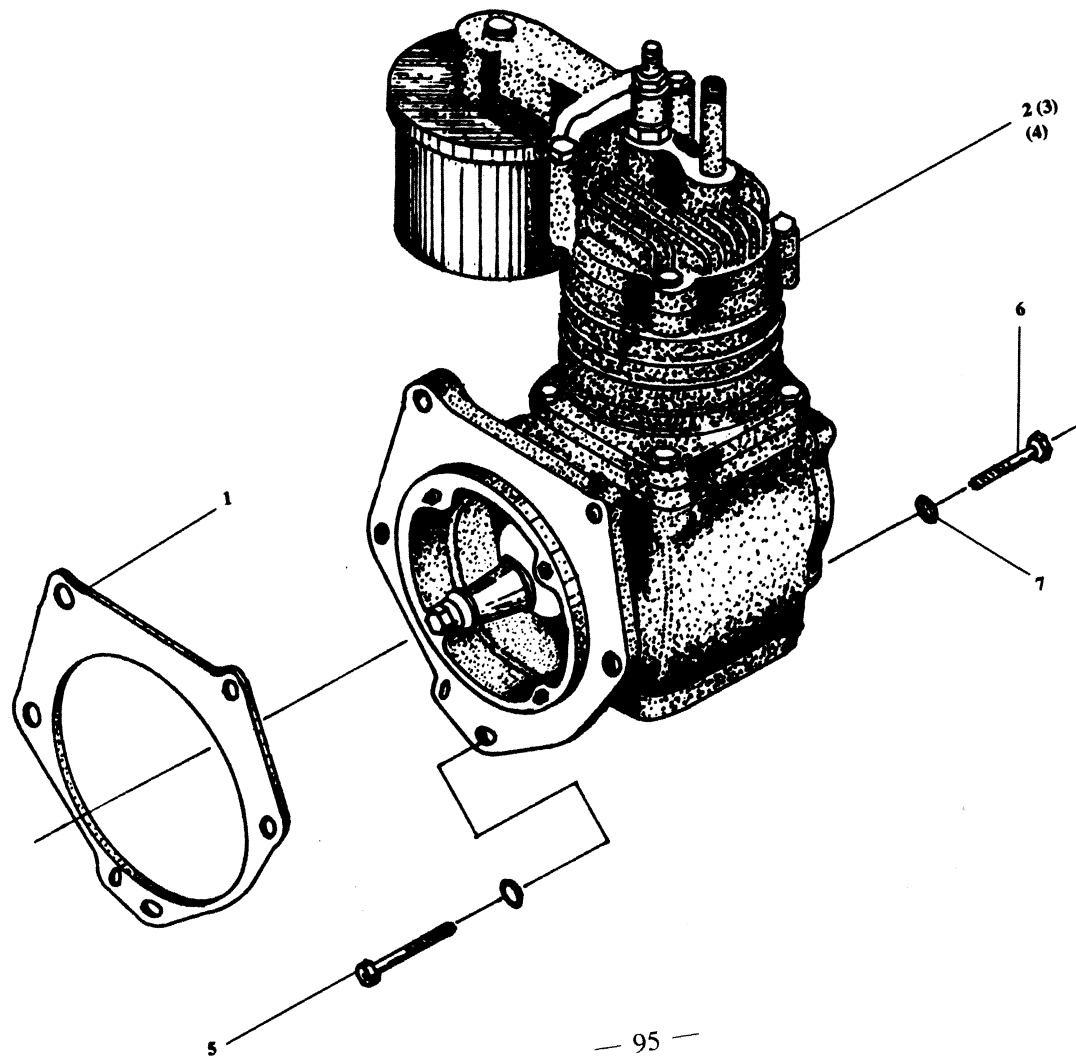
(STARTING MOTOR, ALTERNATOR, REGULATOR, ELECTRICAL WIRE, INSTRUMENT & PANEL, STORAGE BATTERY, OIL PRESSURE SENSOR & ALARM ASSEMBLY)

| | | 柴 油 机 型 号 | | R4100 | | | | | | | | | | R4105 | | | | | R6105 | | | | |
|------------|------------------|------------------------|--|-------------------------|----|----|---|----|----|----|----|-----|---|-------|---|----|---|---|-------|----|----|---|---|
| | | Model | | T | T4 | ZT | G | G4 | G8 | G9 | D1 | ZD1 | Z | T | G | G3 | P | Z | Q | Q1 | Q2 | P | |
| 序号 Item | 零件代号 Part No. | 零 件 名 称 Description | | 每 台 数 量 Q'ty per set | | | | | | | | | | | | | | | | | | | |
| 1 | 4R610001 | 过渡板 | Jointing plate | | | | | | | | | | | | | | | 1 | | | | | |
| 2 | 4R610100 | 起动机部件 (扬州) | Starting motor subassem- bly(yangzhou) | 1 | 1 | 1 | 1 | | | 1 | 1 | | 1 | 1 | | | | | | | | | |
| (3) | 4RG610100 - B | 起动机部件 (武进) | Starting motor subassem- bly(wujin) | | | | 1 | 1 | | | 1 | 14 | | | | 1 | 1 | 1 | 1 | 1 | 1 | 1 | 1 |
| (4) | 4R1T610100 - 1 | 起动机部件 (沙市) | Starting motor subassem- bly(shashi) | | | | | | 1 | | | | | | | 1 | | | | | | | |
| 5 | 4R620001 - B | 发电机调节架 | Alternator adjusting bracket | 1 | | | | | | | 1 | 1 | 1 | 1 | | 1 | 1 | 1 | 1 | 1 | | 1 | |
| (6) | 4RT620001 - B | 发电机调节架 | Alternator adjusting bracket | | 1 | | | 1 | | | | | | | | 1 | | | | | 1 | 1 | |
| (7) | 4RZT620001 - A | 发电机调节架 | Alternator adjusting bracket | | | 1 | 1 | | | 1 | 1 | | | | | | | | | | | | |
| 8 | 4RG620001 | 发电机调节架 | Alternator adjusting bracket | | | | | 1 | | | | | | | | | | | | | | | |
| (9) | 6R1Q1620001 | 发电机调节架 | Alternator adjusting bracket | | | | | | | | | | | | | | | | | | | 1 | |
| 10 | 4R620002 - B | 垫 块 | Pad | 1 | 1 | 1 | 1 | 1 | | 1 | 1 | 1 | 1 | 1 | 1 | 1 | 1 | 1 | 1 | 1 | | 1 | 1 |

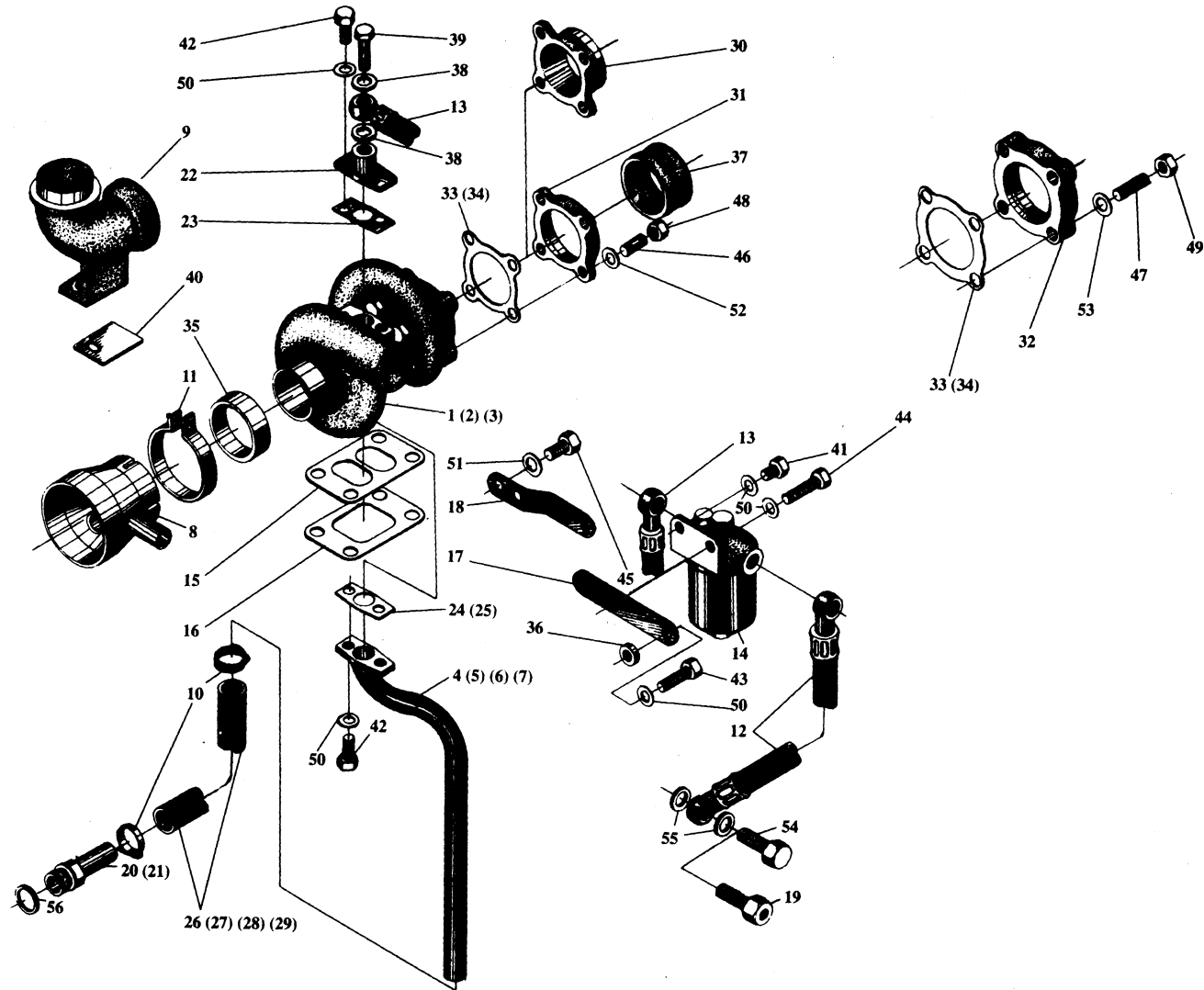
| 柴 油 机 型 号 Model | | | | R4100 | | | | | | | | R4105 | | | | | R6105 | | | | | | | | | |
|--------------------|------------------|------------------------|-----------------------------------|-------------------------|----|----|---|----|----|----|----|-------|---|---|---|----|-------|---|---|----|----|---|--|---|---|---|
| | | | | T | T4 | ZT | G | G4 | G8 | G9 | D1 | ZD1 | Z | T | G | G3 | P | Z | Q | Q1 | Q2 | P | | | | |
| 序号 Item | 零件代号 Part No. | 零 件 名 称 Description | | 每 台 数 量 Q'ty per set | | | | | | | | | | | | | | | | | | | | | | |
| 11 | 4RG620002 | 垫 块 | Pad | | | | | | | 1 | 1 | | | | | | | | | | | | | | | |
| (12) | 6R1Q1620002 | 垫 块 | Pad | | | | | | | | | | | | | | | | | | | | | | 1 | |
| 13 | 4R620003 | 锥形套 | Conical spacer | | | | | | | | | | | | | | | | | | | | | 2 | | |
| 14 | 4RG620021 | 回油胶管 | Oil drain pipe | | | | | | | 1 | 1 | | | | | | | | | | | | | | | |
| 15 | 4RG620022 | 油管接头 | Nipple | | | | | | | 1 | 1 | | | | | | | | | | | | | | | |
| 16 | 4RG620023 | 垫 圈 | Washer | | | | | | | 1 | 1 | | | | | | | | | | | | | | | |
| 17 | 4RG620024 | 管接螺钉 | Hollow screw | | | | | | | | | | | | | | | | | | | | | | | |
| 18 | 4RG620025 | 垫 圈 | Washer | | | | | | | | | | | | | | | | | | | | | | | |
| 19 | 4R620100 - B | 发电机部件 | Alternator subassembly | 1 | 1 | | | | | | | | | 1 | 1 | | | | | | | | | | | |
| 20 | 4RZT620100 - A | 发电机部件 | Alternator subassembly | | | 1 | 1 | | | | | | | | | | | 1 | | | | | | | | |
| (21) | 4RG620100 - B | 发电机部件 | Alternator subassembly | | | | | | | 1 | 1 | | | | | | | | | | | | | | | |
| (22) | 6R620100 - B | 发电机部件 | Alternator subassembly | | | | | | | | | | 1 | 1 | | | | 1 | 1 | 1 | 1 | 1 | | | 1 | |
| (23) | 6RQ620100 | 发电机部件 | Alternator subassembly | | | | | | | | | | | | | | | | | | | | | | 1 | |
| (24) | 6RQ620100 - B | 发电机部件 | Alternator subassembly | | | | | | | | | | | | | | | | | | | | | | 1 | 1 |
| 25 | 4RG621100 | 真空泵润滑油管部件 | Oil pipe subassembly, vacuum pump | | | | | | | 1 | | | | | | | | | | | | | | | | |

| 柴油型号 Model | | | | R4100 | | | | | | | R4105 | | | | | R6105 | | | | | | | | |
|---------------|-------------|------------|---|------------|------------------|---------------------|---|----------------------|----|----|-------|-----|--|---|---|-------|----|---|--|---|---|----|----|---|
| | | | | T | T4 | ZT | G | G4 | G8 | G9 | D1 | ZD1 | | Z | T | G | G3 | P | | Z | Q | Q1 | Q2 | P |
| | | | | 序号 Item | 零件代号 Part No. | 零件名称 Description | | 每台数量 Q'ty per set | | | | | | | | | | | | | | | | |
| 39 | 495G-12650 | 预热启动开关 | Preheating starting switch | | | | | | | | 1 | 1 | | | | | 1 | | | | | 1 | | |
| 40 | 495G-12660 | 电钥匙开关 | Key switch | | | | | | | | 1 | 1 | | | | | 1 | | | | | 1 | | |
| 41 | 495G-12670 | 压力表管组件 | Pressure gauge tube sub-assembly | | | | | | | | 1 | 1 | | | | | 1 | | | | | 1 | | |
| 42 | 495G-12830 | 电线束部件 | Wire bundle subassembly | | | | | | | | 1 | 1 | | | | | 1 | | | | | 1 | | |
| 43 | 495G-12850 | 钥匙开关电表线连接头 | Wire & connector, switch & ammeter connecting | | | | | | | | 1 | 1 | | | | | 1 | | | | | 1 | | |
| 44 | 495G-12860 | 开关连线连接头 | Wire & connector, switch connecting | | | | | | | | 1 | 1 | | | | | 1 | | | | | 1 | | |
| (45) | 6R1D1650100 | 电线束部件 | Wire bundle subassembly | | | | | | | | | | | | | | | | | | | | 1 | |
| 46 | 4RD670400 | 蓄电池联接线连接头 | Wire & connector, storage battery | | | | | | | | | | | | | | | | | | | | | |
| 47 | 495G-12500 | 蓄电池 | Storage battery | | | | | | | | | | | | | | | | | | | | | |
| 48 | 495G-12810 | 起动机连线连接头 | Battery cable & connector | | | | | | | | | | | | | | | | | | | | | |
| 49 | 495G-12820 | 搭铁线连线连接头 | Battery ground cable & connector | | | | | | | | | | | | | | | | | | | | | |
| 50 | 6R1Q680001 | 水温传感器 | Water temperature sensor | | | | | | | | | | | | | | | | | | | 1 | 1 | 1 |

空气压缩机总成



增压器总成



15. 增压器总成
TURBOCHARGER ASSEMBLY

| 柴 油 机 型 号 Model | | | | R4100 | | | | | | R4105 | | | | | R6105 | | | | | | | | | | | |
|--------------------|----------------------------|------------------------|--|-------------------------|----|----|---|----|----|-------|----|-----|---|---|-------|----|---|---|---|----|----|---|--|--|--|--|
| | | | | T | T4 | ZT | G | G4 | G8 | G9 | D1 | ZD1 | Z | T | G | G3 | P | Z | Q | Q1 | Q2 | P | | | | |
| 序号 Item | 零件代号 Part No. | 零 件 名 称 Description | | 每 台 数 量 Q'ty per set | | | | | | | | | | | | | | | | | | | | | | |
| 1 | 4RZ730100 - A(SJ70 - 1) | 增压器部件 | Turbocharger subassembly | | | 1 | | | | | | | | | 1 | | | | | | | | | | | |
| (2) | 4RZD730100 - A | 增压器部件 | Turbocharger subassembly | | | | | | | | | | 1 | | | | | | | | | | | | | |
| (3) | 6R1Z730100 - A (K27 - 4S) | 增压器部件 | Turbocharger subassembly | | | | | | | | | | | | | | | | | | 1 | | | | | |
| 4 | 4RZ730500 | 增压器回油管部件 | Oil drain pipe subassembly, turbocharger | | | | | | | | | | | | 1 | | | | | | | | | | | |
| (5) | 4RZT730500 - 1 | 增压器回油管部件 | Oil drain pipe subassembly, turbocharger | | | 1 | | | | | | | | | | | | | | | | | | | | |
| (6) | 4RZD730500 - 2 | 增压器回油管部件 | Oil drain pipe subassembly, turbocharger | | | | | | | | | | 1 | | | | | | | | | | | | | |
| (7) | 6RZQ730500 | 增压器回油管部件 | Oil drain pipe subassembly, turbocharger | | | | | | | | | | | | | | | | | | 1 | | | | | |
| 8 | 4RZ730600 | 增压器进气接管部件 | Inlet connecting pipe subassembly turbocharger | | | | | | | | | | | | 1 | | | | | | | | | | | |

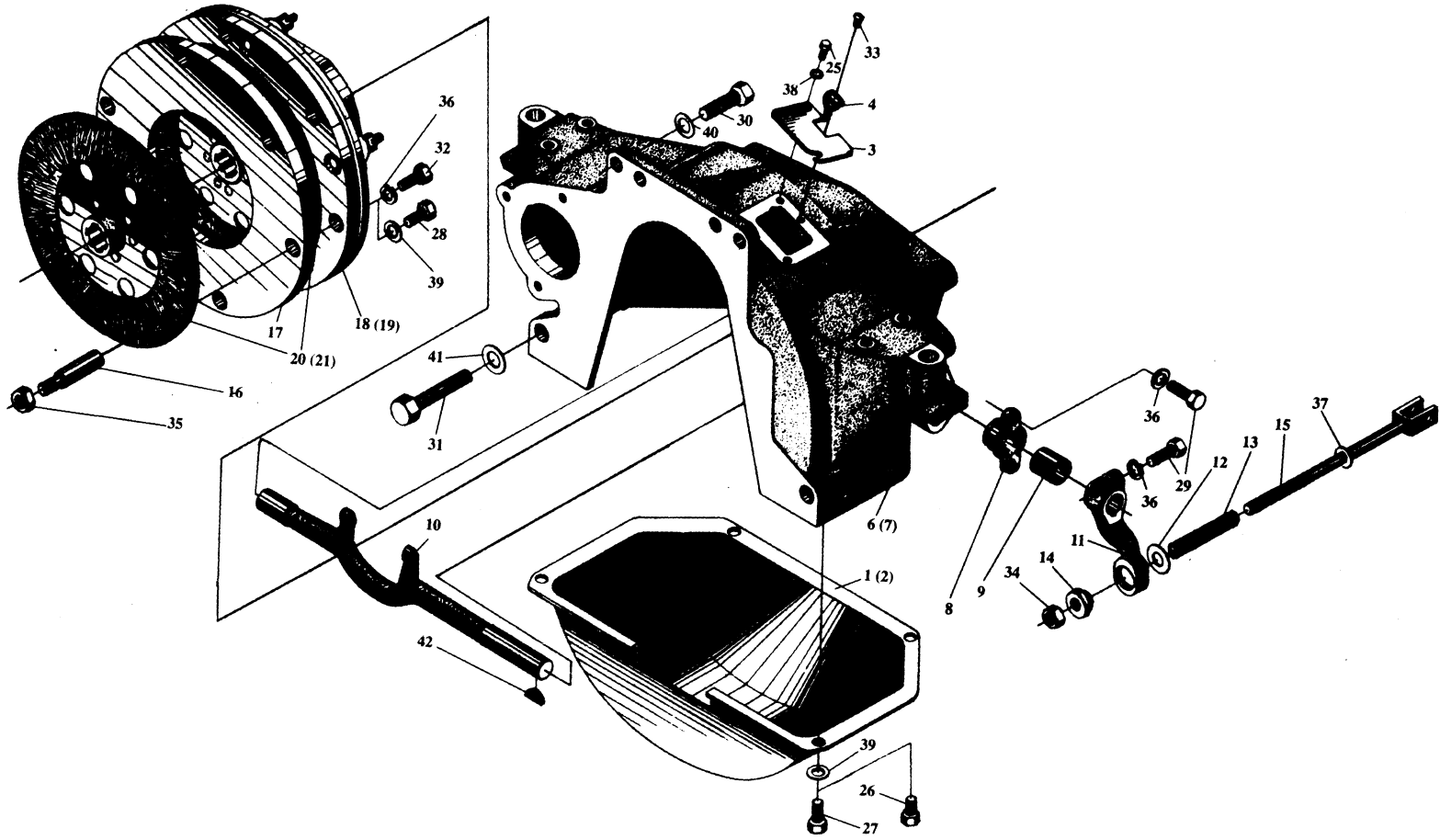
| 柴油机型号 Model | | | | R4100 | | | | | | | R4105 | | | | | R6105 | | | | | | | | | | | | | | | |
|----------------|----------------------|---------------------|---|----------------------|----|----|---|----|----|----|-------|-----|---|---|---|-------|---|---|---|----|----|---|--|--|--|---|---|--|--|--|--|
| | | | | T | T4 | ZT | G | G4 | G8 | G9 | D1 | ZD1 | Z | T | G | G3 | P | Z | Q | Q1 | Q2 | P | | | | | | | | | |
| 序号 Item | 零件代号 Part No. | 零件名称 Description | | 每台数量 Q'ty per set | | | | | | | | | | | | | | | | | | | | | | | | | | | |
| 9 | 4RZD730600 | 增压器进气接管部件 | Inlet connecting pipe sub-assembly turbocharger | | | | | | | | | | | | | 1 | | | | | | | | | | | | | | | |
| 10 | R120500 | 胶管卡箍 | Hose clamp | | | 2 | | | | | | 2 | | 2 | | | | | | | | | | | | | 2 | | | | |
| 11 | 4R210300 | 胶管卡箍 | Hose clamp | | | | | | | | | | | | 1 | | | | | | | | | | | | | | | | |
| 12 | 4R350200 | 滤清器进油管部件 | Oil inlet pipe subassembly, filter | | | 1 | | | | | | 1 | | 1 | | | | | | | | | | | | 1 | | | | | |
| 13 | 4R350300 | 喷油泵进油管部件 | Oil inlet pipe subassembly, oil pump | | | 1 | | | | | | 1 | | 1 | | | | | | | | | | | | 1 | | | | | |
| 14 | 495Z-23400(6)(J0506) | 机油滤清器部件 | Oil filter subassembly | | | 1 | | | | | | 1 | | 1 | | | | | | | | | | | | 1 | | | | | |
| 15 | RZ730001 | 增压器垫片 | Turbocharger gasket | | | 1 | | | | | | | | | 1 | | | | | | | | | | | 1 | | | | | |
| 16 | 4RZD730001 | 增压器垫片 | Turbocharger gasket | | | | | | | | | 1 | | | | | | | | | | | | | | | | | | | |
| 17 | 4RZ730002 | 机滤器支架 | Bracket, oil filter | | | 1 | | | | | | 1 | 1 | | | | | | | | | | | | | | | | | | |
| 18 | 6RZQ730002 | 精滤器支架 | Bracket, oil filter | | | | | | | | | | | | | | | | | | | | | | | 1 | | | | | |
| 19 | 4RZT730003-1 | 管接螺钉 | Hollow bolt | | | 1 | | | | | | | | | | | | | | | | | | | | | | | | | |
| 20 | RZ730004 | 回油管接头 | Adaptor, oil drain pipe | | | | | | | | | 1 | | 1 | | | | | | | | | | | | 1 | | | | | |

| 柴油机型号 Model | | R4100 | | | | | | | | | | R4105 | | | | | R6105 | | | | | | | | | |
|----------------|------------------|---------------------|---------------------------------|----------------------|---|----|----|----|----|-----|---|-------|---|---|----|---|-------|---|---|----|----|---|--|--|--|--|
| | | T | T4 | ZT | G | G4 | G8 | G9 | D1 | ZD1 | | Z | T | G | G3 | P | | Z | Q | Q1 | Q2 | P | | | | |
| 序号 Item | 零件代号 Part No. | 零件名称 Description | | 每台数量 Q'ty per set | | | | | | | | | | | | | | | | | | | | | | |
| (21) | 4RZT730004 | 回油管接头 | Adaptor, oil drain pipe | | | 1 | | | | | | | | | | | | | | | | | | | | |
| 22 | 495ZD-1-23006 | 增压器进油法兰 | Oil inlet flange, turbo-charger | | | 1 | | | | | 1 | 1 | | | | | | | | | 1 | | | | | |
| 23 | 495ZD-1-23007 | 增压器进油法兰垫片 | Gasket, oil inlet flange | | | 1 | | | | | 1 | 1 | | | | | | | | | 1 | | | | | |
| 24 | 4RZ730008 | 回油法兰垫片 | Gasket, oil drain flange | | | 1 | | | | | 1 | 1 | | | | | | | | | | | | | | |
| (25) | 6RZQ730008 | 回油法兰垫片 | Gasket, oil drain flange | | | | | | | | | | | | | | | | | | 1 | | | | | |
| 26 | 4RZ730009 | 回油接管 | Oil drain pipe | | | | | | | | | | 1 | | | | | | | | | | | | | |
| (27) | 4RZT730009 | 回油接管 | Oil drain pipe | | | 1 | | | | | | | | | | | | | | | | | | | | |
| (28) | 4RZD730009-1 | 回油接管 | Oil drain pipe | | | | | | | | | 1 | | | | | | | | | | | | | | |
| (29) | 6R1Z730009 | 回油接管 | Oil drain pipe | | | | | | | | | | | | | | | | | | 1 | | | | | |
| 30 | 4RZ730011 | 增压器排气法兰 | Exhaust flange, turbo-charger | | | | | | | | 1 | 1 | | | | | | | | | | | | | | |
| 31 | 4RZT730011 | 增压器排气法兰 | Exhaust flange, turbo-charger | | | 1 | | | | | | | | | | | | | | | | | | | | |
| 32 | 6R1Z730011 | 增压器排气法兰 | Exhaust flange, turbo-charger | | | | | | | | | | | | | | | | | | 1 | | | | | |

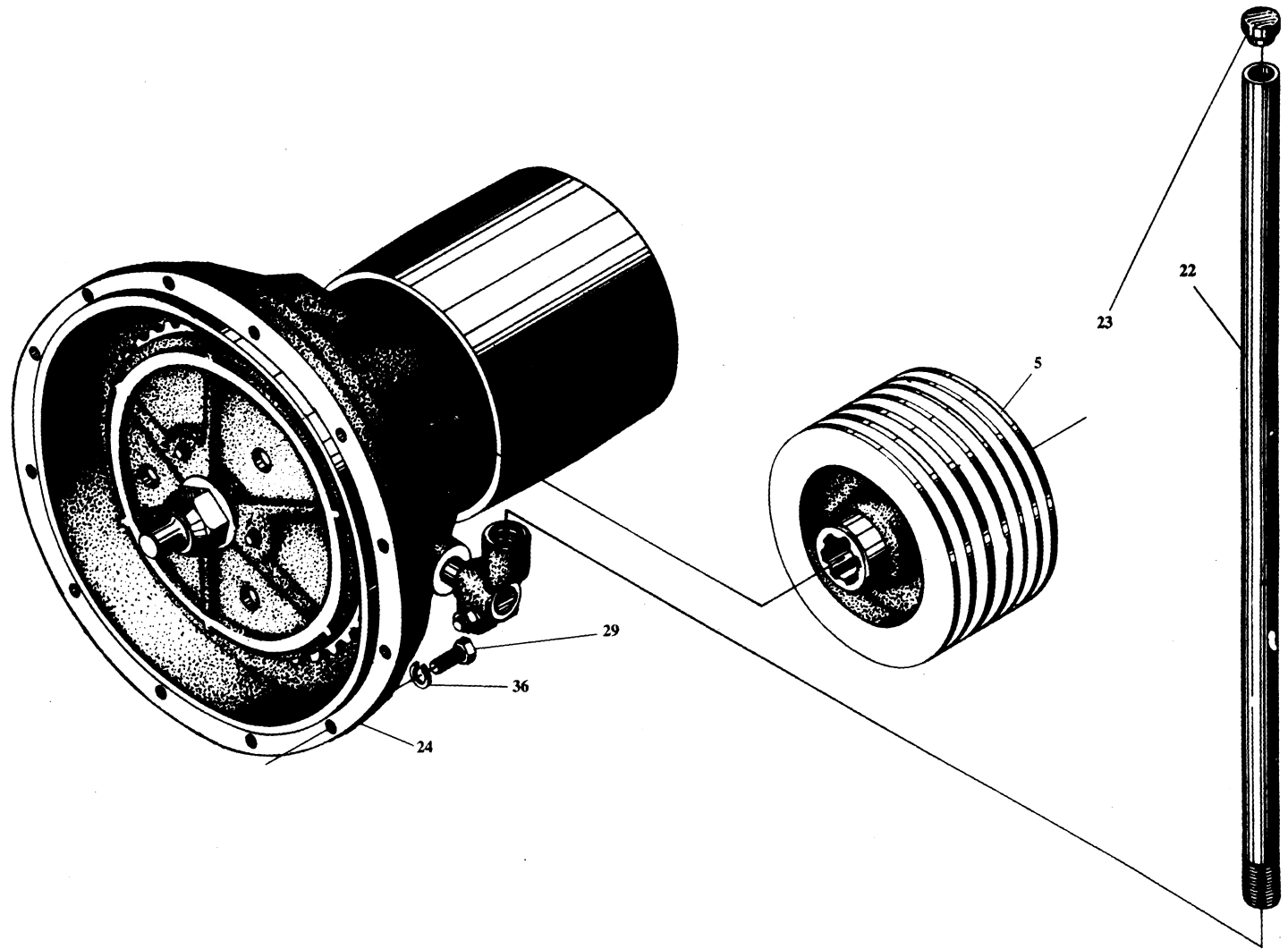
| 柴 油 机 型 号 Model | | | R4100 | | | | | | | | | | R4105 | | | | | R6105 | | | | | | | | |
|--------------------|------------------|---------------------|-------------------------|----|----|---|----|----|----|----|-----|--|-------|---|---|----|---|-------|---|---|----|----|---|---|---|--|
| | | | T | T4 | ZT | G | G4 | G8 | G9 | D1 | ZD1 | | Z | T | G | G3 | P | | Z | Q | Q1 | Q2 | P | | | |
| 序号 Item | 零件代号 Part No. | 零件名称 Description | 每 台 数 量 Q'ty per set | | | | | | | | | | | | | | | | | | | | | | | |
| 33 | 4RZ730012 | 增压器排气法兰垫片 | | | 1 | | | | | | | | | 1 | | 1 | | | | | | | | | | |
| (34) | 6R1Z730012 | 增压器排气法兰垫片 | | | | | | | | | | | | | | | | | | | | | | | 1 | |
| 35 | 4RZ730013 | 增压器进气接管衬套 | | | | | | | | | | | | | | 1 | | | | | | | | | | |
| 36 | 4RZ730014 | 垫 圈 | | | 2 | | | | | | | | 2 | | 2 | | | | | | | | | | | |
| 37 | 4RZT730021 | 膨胀套管 | | | 1 | | | | | | | | | | | | | | | | | | | | | |
| 38 | 495Z-23003 | 垫 圈 | | | 2 | | | | | | | | 2 | 2 | | | | | | | | | | 2 | | |
| 39 | 495Z-23004 | 接头螺钉 | | | 1 | | | | | | | | 1 | | 1 | | | | | | | | | 1 | | |
| 40 | 4RZD730611 | 调整垫片 | | | | | | | | | | | 3 | | | | | | | | | | | | | |
| 41 | M8 × 10 GB5783 | 全螺纹六角头螺栓 | | | 1 | | | | | | | | 1 | | 1 | | | | | | | | | | | |
| 42 | M8 × 20 GB5783 | 全螺纹六角头螺栓 | | | 4 | | | | | | | | 4 | | 4 | | | | | | | | | 6 | | |
| 43 | M8 × 35 GB5783 | 全螺纹六角头螺栓 | | | 1 | | | | | | | | 1 | | 1 | | | | | | | | | | | |

| 柴 油 机 型 号 Model | | | | R4100 | | | | | | | | R4105 | | | | | R6105 | | | | | | | | | | |
|--------------------|--------------------------|------------------------|------------------------------|-------------------------|----|----|---|----|----|----|----|-------|---|---|---|----|-------|---|---|----|----|---|--|--|--|--|--|
| | | | | T | T4 | ZT | G | G4 | G8 | G9 | D1 | ZD1 | Z | T | G | G3 | P | Z | Q | Q1 | Q2 | P | | | | | |
| 序号 Item | 零件代号 Part No. | 零 件 名 称 Description | | 每 台 数 量 Q'ty per set | | | | | | | | | | | | | | | | | | | | | | | |
| 44 | M8 ×45 GB5783 | 六角头螺栓 | Hex head bolt | | | 1 | | | | | | 1 | 1 | | | | | | | | | | | | | | |
| 45 | M10 ×20 GB5783 | 全螺纹六角头螺栓 | Hex head fully threaded bolt | | | | | | | | | | | | | | | | | | 2 | | | | | | |
| 46 | AM8 ×20 GB898 - A2 - 70 | 双头螺栓 | Stud | | | 4 | | | | | | 4 | 4 | | | | | | | | | | | | | | |
| 47 | AM10 ×35 GB898 - A2 - 70 | 双头螺栓 | Stud | | | | | | | | | | | | | | | | | | 4 | | | | | | |
| 48 | M8 GB6170 - A2 - 70 | 双头螺母 | Hex nut | | | 4 | | | | | | 4 | 4 | | | | | | | | | | | | | | |
| 49 | M10 GB6170 - A2 - 70 | 六角螺母 | Hex nut | | | | | | | | | | | | | | | | | | 4 | | | | | | |
| 50 | 8 GB848 - 140HV - ZnD | 小垫圈 | Small washer | | | 7 | | | | | | 7 | 7 | | | | | | | | 6 | | | | | | |
| 51 | 10 GB848 - 140HV - ZnD | 小垫圈 | Small washer | | | | | | | | | | | | | | | | | | 2 | | | | | | |
| 52 | 8 GB848 - A140 | 小垫圈 | Small washer | | | 4 | | | | | | 4 | 4 | | | | | | | | | | | | | | |
| 53 | 10 GB848 - A140 | 小垫圈 | Small washer | | | | | | | | | | | | | | | | | | 4 | | | | | | |
| 54 | M14 ×1.5 WB20101 | 螺 钉 | Screw | | | | | | | | | 1 | 1 | | | | | | | | 1 | | | | | | |
| 55 | 14 WB22514 | 紫铜垫圈 | Copper washer | | | 2 | | | | | | 2 | 2 | | | | | | | | | | | | | | |
| 56 | 24 WB22514 | 紫铜垫圈 | Copper washer | | | 1 | | | | | | 1 | 1 | | | | | | | | | | | | | | |

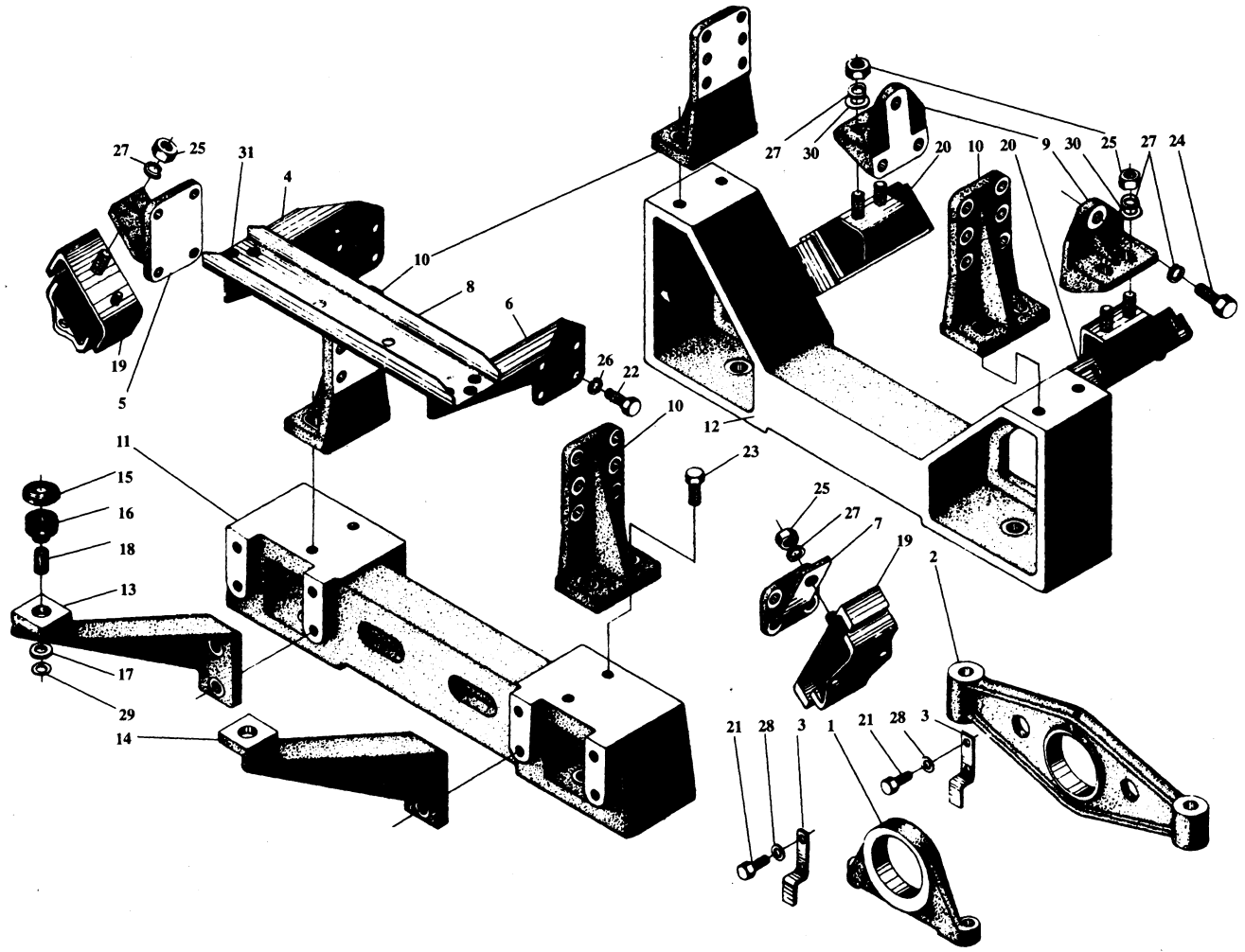
离合器总成



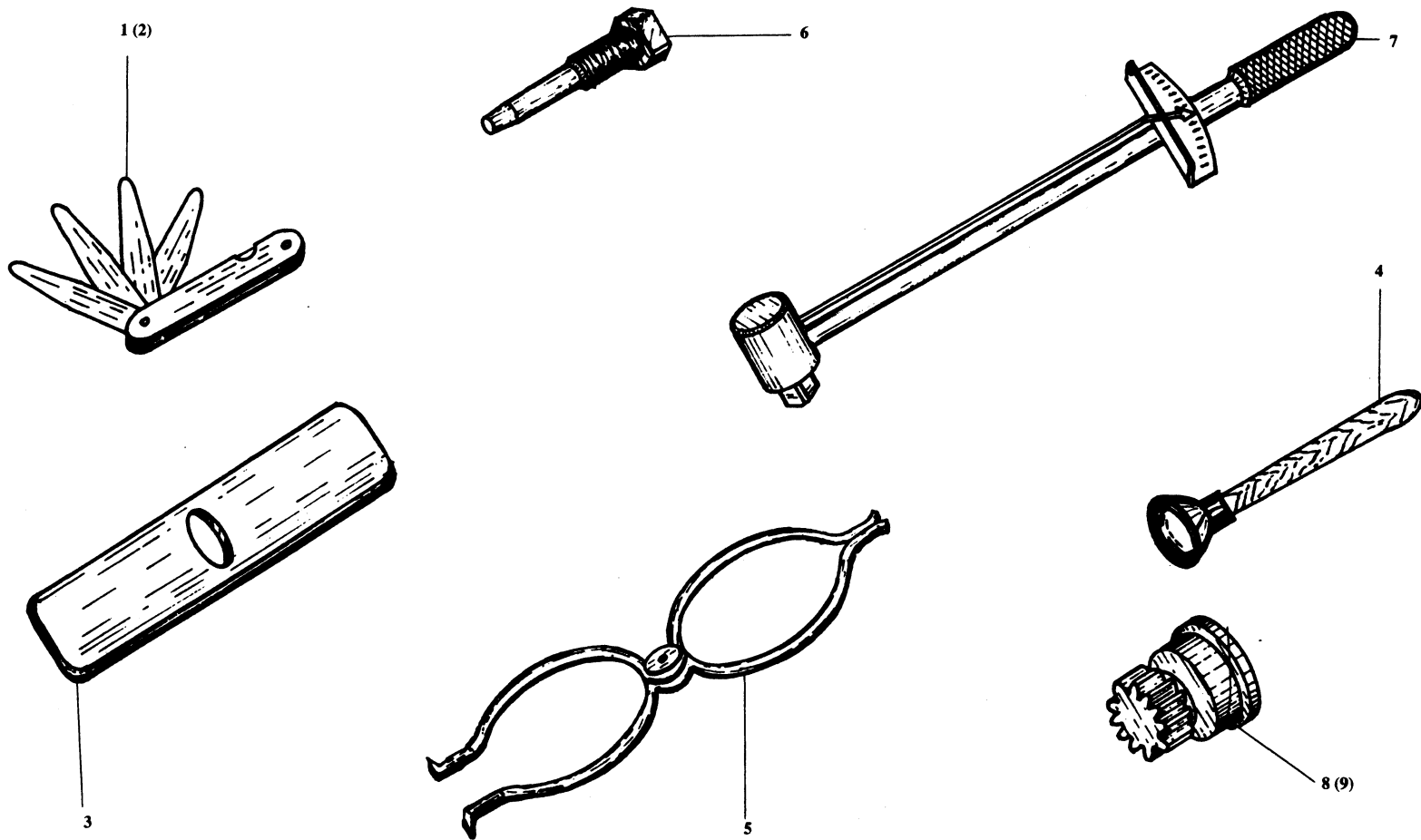
离合器总成



支架底座总成



随机工具总成



山东潍柴华丰动力有限公司

地址：山东省潍坊市奎文区北宫东街 337 号

邮编：261009

电话：(0536) 8192800 (总机) 8192735

传真：(0536) 8192711

网址：<http://www.huafengdongli.com>

E-mail:scb@huafengdongli.com

Shandong Weichai Huafeng Power Co.,Ltd

Add:No.377 Beigong East Street WeiFang ShanDong China

Postal Code:261009

Telephone:+86-536-8192800 8192735

Fax:+86-536-8192711

Website:<http://www.huafengdongli.com>

E-mail:scb@huafengdongli.com